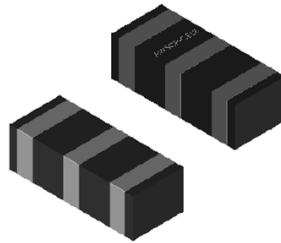


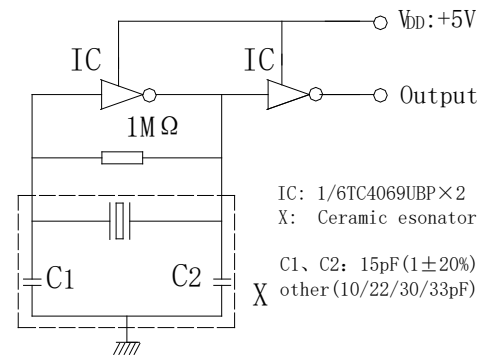
Ceramic Resonators



FEATURES

- Wide resonant frequency range available
- Low resonant impedance as low as 30Ω at 16MHz carrier
- Available built-in capacitance options (5/10/15/22/30/33/39/47 pF)
- Variety of industry standard foot prints
- Available wide operating temperature range up to $-40/+125^{\circ}\text{C}$
- Standard configurations available through Abracon Global Distribution Network

TYPICAL END-APPLICATION CIRCUIT



APPLICATIONS

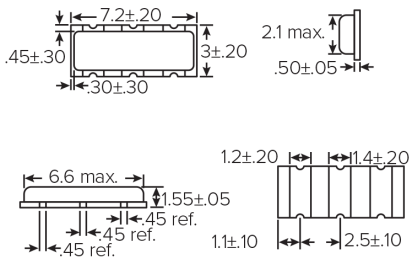
Metering system
 Industrial control
 Electrical appliance

Microprocessor
 Remote control
 Communication Equipment

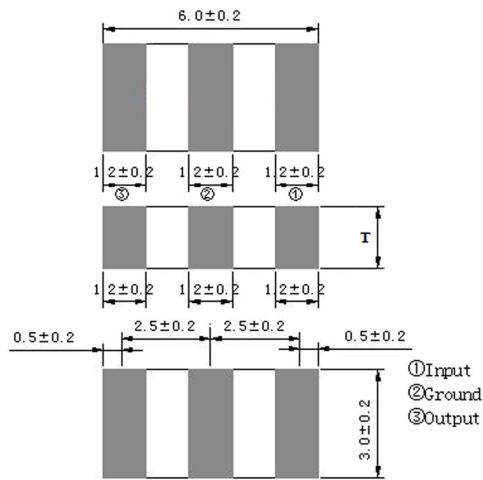
Ceramic Resonators

PRODUCT DIMENSIONS

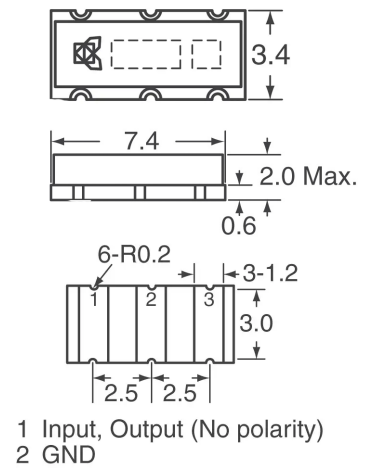
MURATA



ABRACON

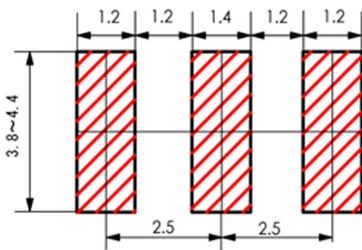


KYOCERA

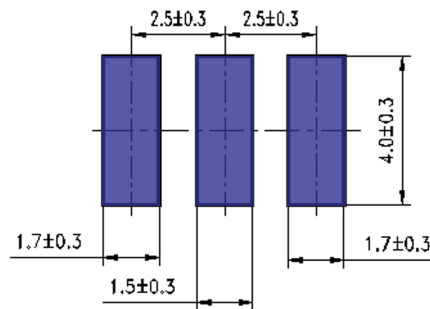


LAND PATTERNS

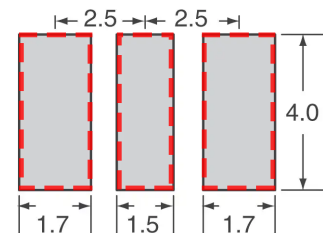
MURATA



ABRACON



KYOCERA



OVERLAPPING LAND PATTERN

