

WLAN : Wi-Fi/BT/BLE External Antenna



PRO-EX-286

Request Samples



Check Inventory



Ø10 x 106 mm

RoHS/RoHS II Compliant

MSL Level = 1

Features

- High Reliability/ Sensitivity
- Compact Size
- Easy to install
- ROHS Compliant
- Customizable Connector options

Applications

- WLAN/BT//Wi-Fi/ZigBee Applications
- IoT, M2M
- Routers, Access Points
- Remote Monitoring/Surveillance
- Industrial Automation

Product Image



WLAN : Wi-Fi/BT/BLE External Antenna



PRO-EX-286

Request Samples



Check Inventory



Ø10 x 106 mm

RoHS/RoHS II Compliant

MSL Level = 1

Electrical Specification – Antenna

Parameter	Specification		Unit
Operating Frequency	2400 - 2500	5150 - 5850	MHz
Return Loss	< -9.8	< -9.4	dB
Polarization	Linear		-
Peak Gain	3.4	3.3	dBi
Efficiency	> -2.1	> -2.8	dB
Impedance	50		Ω
Radiation Pattern	Omni-directional		-

Note: Performance will vary depending on the ground plane, application, and environment.

Mechanical Specification

Parameter	Specification
Antenna Dimension	Ø10 x 106 mm
Mounting Type	Connector
Material(s)	TPE
Connector Type	RP SMA (M)

Environmental Specification

Parameter	Specification
Storage Temperature	-30°C to +55°C



5101 Hidden Creek Ln Spicewood TX 78669
Phone: 512-371-6159 | Fax: 512-351-8858
For terms and conditions of sales, please visit:
www.abracon.com

REVISED: 05-29-23

ABRACON IS
ISO9001-2015
CERTIFIED



PRO-EX-286

Request Samples



Check Inventory

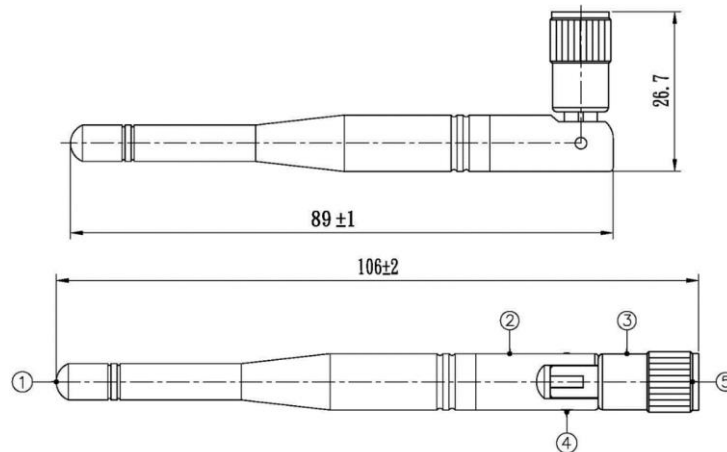


Ø10 x 106 mm

RoHS/RoHS II Compliant

MSL Level = 1

Product Dimensions

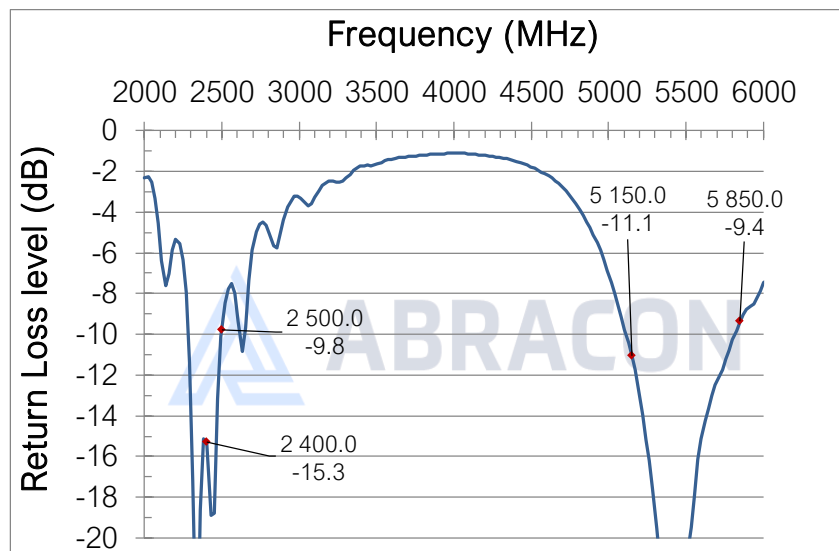


Unit: mm

Measurement Setup

The antenna measurements were all done in free space.

Reflection Characteristics – Return Loss





PRO-EX-286

Request Samples



Check Inventory

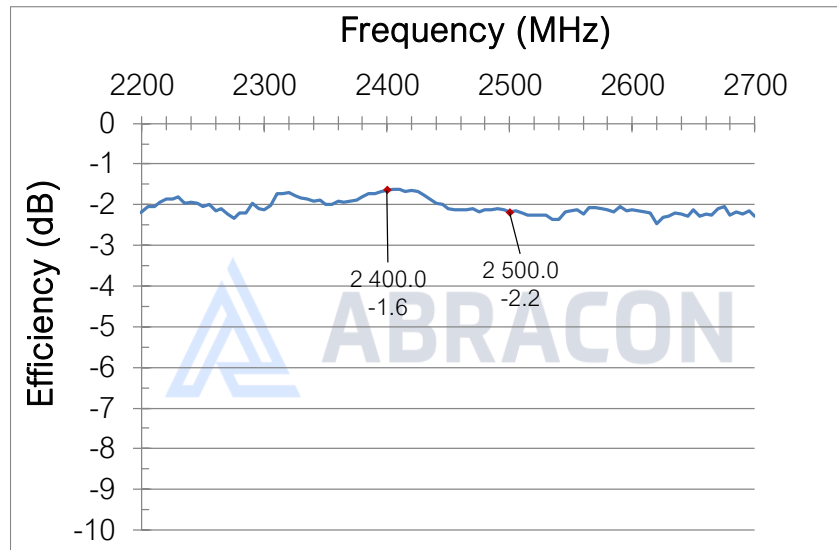


Ø10 x 106 mm

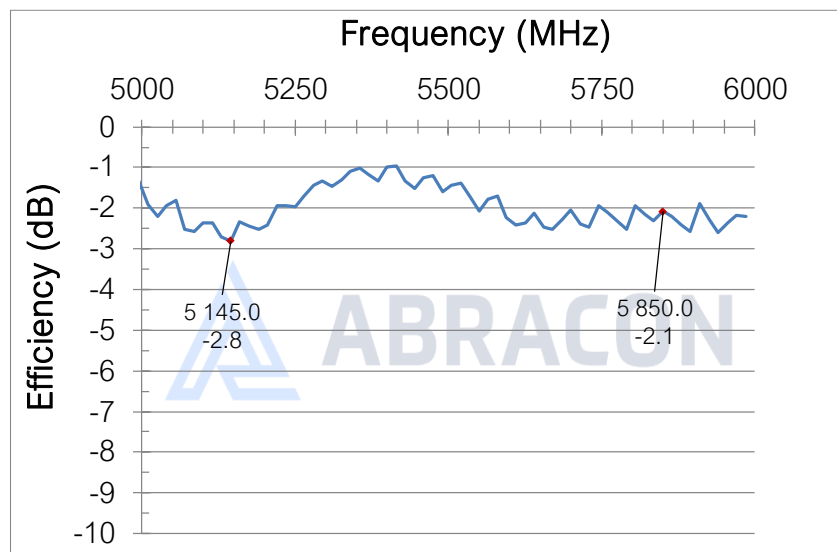
RoHS/RoHS II Compliant

MSL Level = 1

Radiation Characteristics – Total Efficiency (dB)



Radiation Characteristics – Total Efficiency (dB)





PRO-EX-286

Request Samples



Check Inventory

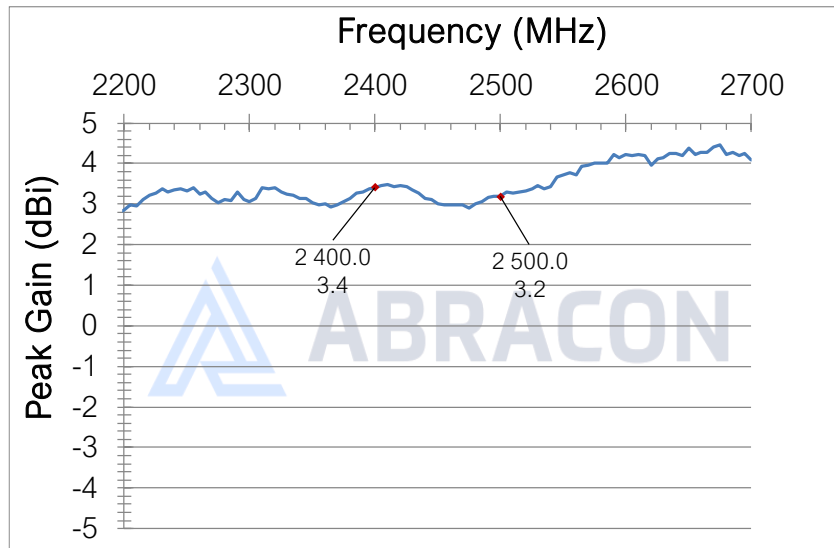


Ø10 x 106 mm

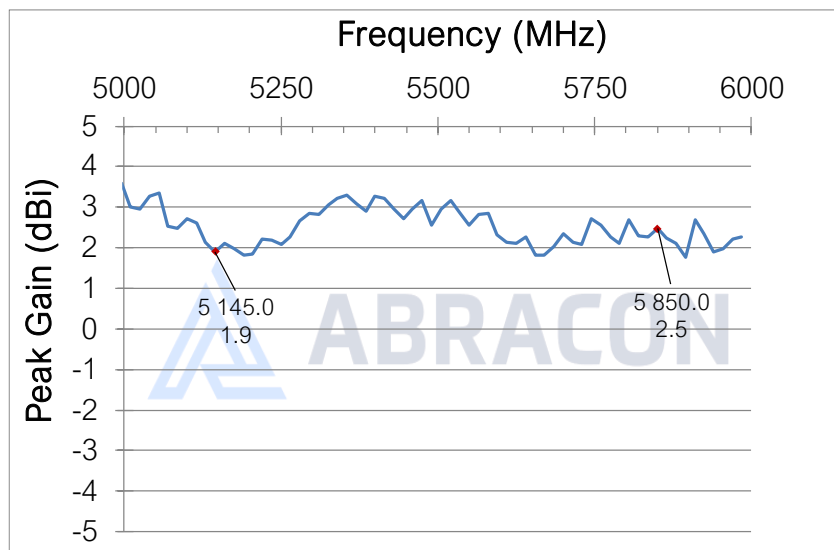
RoHS/RoHS II Compliant

MSL Level = 1

Radiation Characteristics – Maximum Gain



Radiation Characteristics – Maximum Gain





PRO-EX-286

Request Samples



Check Inventory

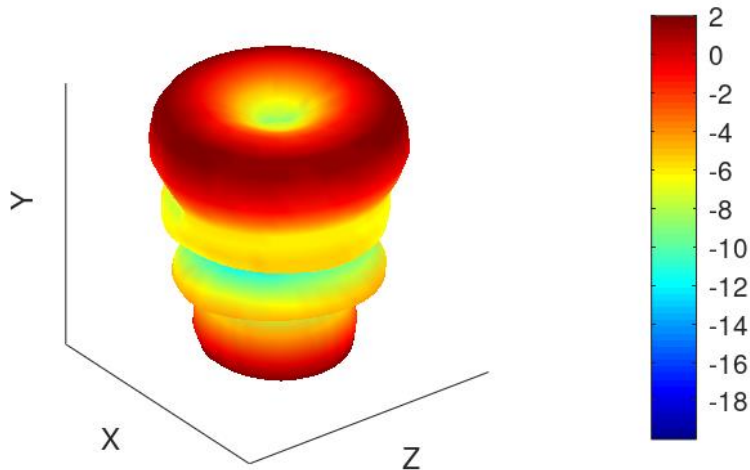


Ø10 x 106 mm

RoHS/RoHS II Compliant

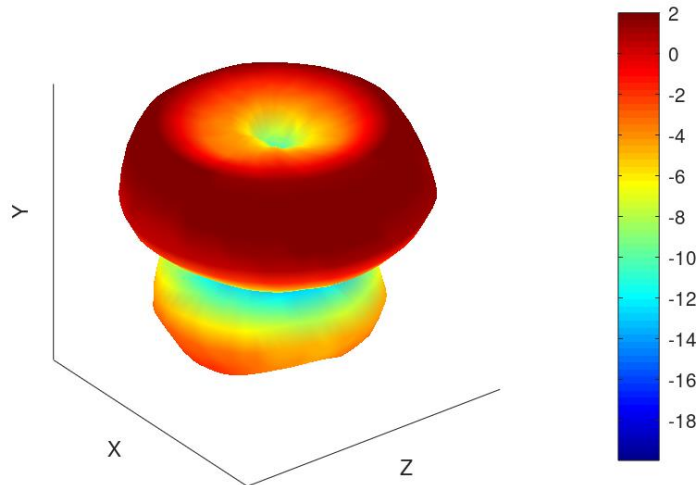
MSL Level = 1

Radiation Characteristics – 3D Pattern @ 2450 MHz



Unit: dBi

Radiation Characteristics – 3D Pattern @ 5505 MHz



Unit: dBi



PRO-EX-286

Request Samples



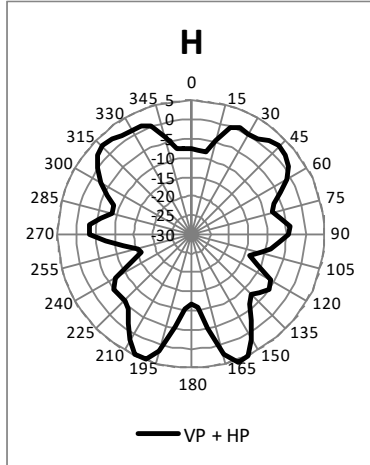
Check Inventory



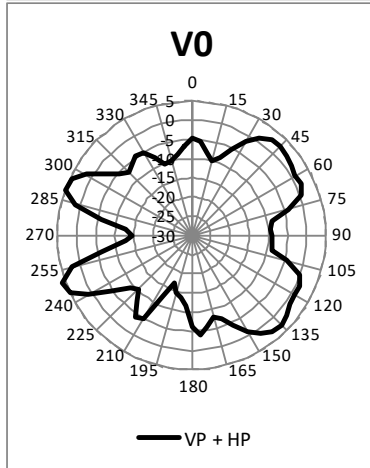
Ø10 x 106 mm
RoHS/RoHS II Compliant
 MSL Level = 1

Radiation Characteristics – 2D Pattern @ 2450 MHz

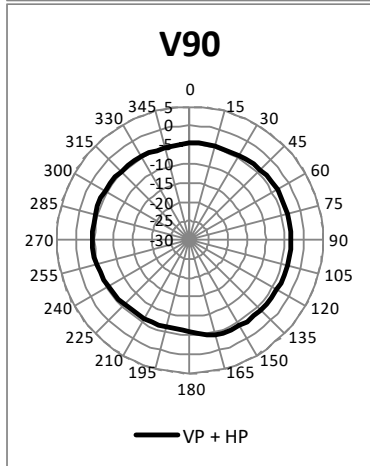
XY-plane:



YZ-plane:



XZ-plane:



VP: Vertical Polarization
 HP: Horizontal Polarization

Unit: dBi



PRO-EX-286

Request Samples



Check Inventory



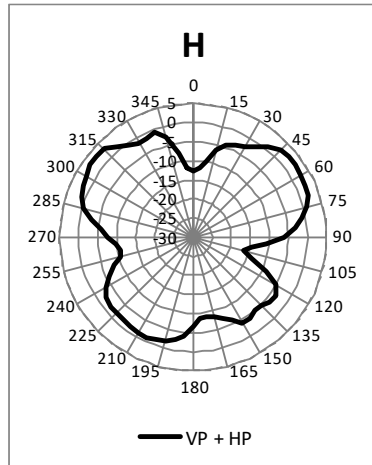
Ø10 x 106 mm

RoHS/RoHS II Compliant

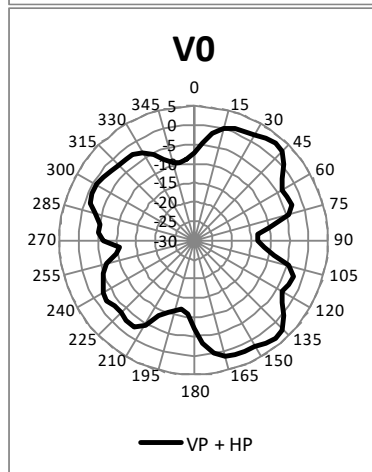
MSL Level = 1

Radiation Characteristics – 2D Pattern @ 5505 MHz

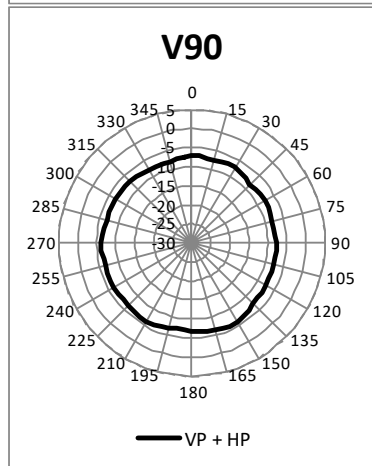
XY-plane:



YZ-plane:



XZ-plane:



VP: Vertical Polarization
HP: Horizontal Polarization

Unit: dBi

WLAN : Wi-Fi/BT/BLE External Antenna



PRO-EX-286

Request Samples



Check Inventory



Ø10 x 106 mm

RoHS/RoHS II Compliant

MSL Level = 1

Packaging

The antenna is delivered in a plastic bag.

ATTENTION: Abracon LLC's products are COTS – Commercial-Off-The-Shelf products; suitable for Commercial, Industrial and, where designated, Automotive Applications. Abracon's products are not specifically designed for Military, Aviation, Aerospace, Life-dependent Medical applications or any application requiring high reliability where component failure could result in loss of life and/or property. For applications requiring high reliability and/or presenting an extreme operating environment, written consent and authorization from Abracon LLC is required. Please contact Abracon LLC for more information.



5101 Hidden Creek Ln Spicewood TX 78669
Phone: 512-371-6159 | Fax: 512-351-8858
For terms and conditions of sales, please visit:
www.abracon.com

REVISED: 05-29-23

ABRACON IS
ISO9001-2015
CERTIFIED