

Package	Description
10.7 MHz Chip Type	Ceramic Filter

Features

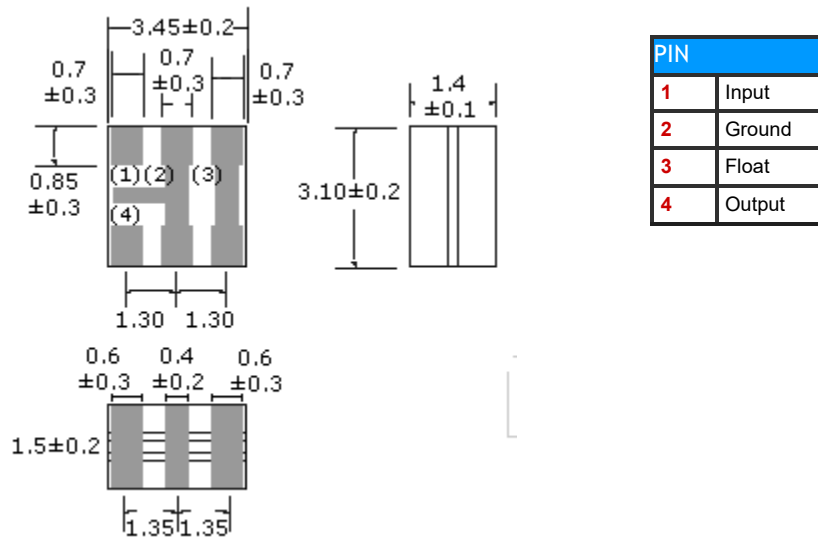
- Chip Type Ceramic Filter
- Low Loss Surface Mount
- RoHs/ Lead Free compliant



Electrical Characteristics

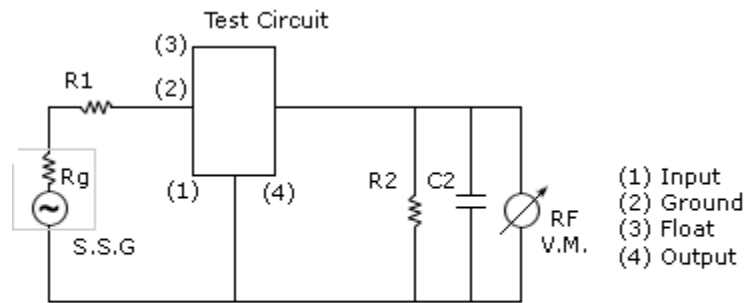
Part Number	3 dB Bandwidth	20 dB Bandwidth	Insertion Loss	Spurious Attenuation (9 ~ 12 MHz)	In/Out Impedance
	kHz min.	kHz max.	dB max.	dB min.	ohm
763-0107-A5	280 ±50	590	3.0 ±2.0	30	330
763-0107-S2	230 ±50	510	3.5 ±2.0	30	330
763-0107-S3	180 ±40	470	4.5 ±2.0	30	330
763-0107-A20	330 ±50	700	3.0 ±2.0	30	330

Package Dimensions



PIN	
1	Input
2	Ground
3	Float
4	Output

Test Circuit



$$R_g + R_1 = R_2 = 330\Omega$$

$$C_2 = 10\text{pF}$$

(Including Stray capacitance and input capacitance of RF voltmeter)