

Package	Description	Last Modified
ZTTCP Ceramic	SMD Ceramic Filter	Aug. 27, 2020

## Features

- High Stability
- Surface Mount Cost Effective
- RoHs/ Lead Free compliant

## Operating Conditions/ Electrical Characteristics

Series No.	Type	Fig	Frequency Range* (MHz)	Frequency Accuracy @25° (MHz)	Stability in Temperature -20° ~ +80°C	Aging for Ten Years
686	ZTTCP	1	2.0~12.0	±0.5%	±0.3%	±0.3%

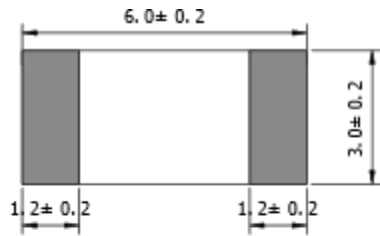
## 2-PIN Type Ceramic Resonator SMD

Series No.	Frequency Range (MHz)	Ro (ohm)	C1=C2 pF value	Remark
686	8.00~12.00	40	15pF±20% 22pF±20% 30pF±20% 33pF±20%	PF value is for built-in capacitor only

## Part Number Guide

Part Number	Frequency	Load Capacitance	Frequency Accuracy ( % )	Operating Temp ( °C )	Packaging**
686	- 8.0M	- 30	- 03	W	- TR
686 = ZTTCP	e.g. -8.0M = 8.00 MHz Std. Range = 8.0 ~ 12.0 MHz Other Freq. Avail. Contact Oscilent for assistance.	Blank* = Standard as shown in above Table or Fill in the blank e.g 30 = 30pF	Blank* = ±0.5% -03 = ±0.3%	Blank* = -20 ~ +80 -N = -40 ~ +85 -W = -40 ~ +125	Blank* = Bulk -TR = Tape/ Reel

Package Dimension



Pins	
1	Input
2	Output

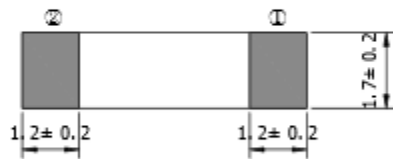
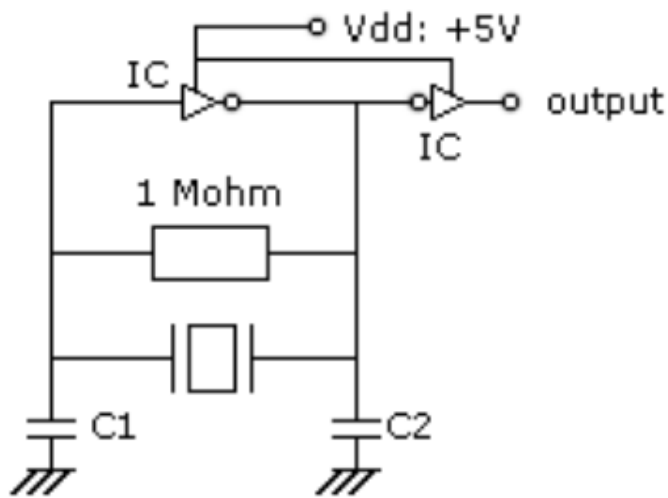


Figure 1 Test Schematic



IC: 1/6TC4069UBPx2