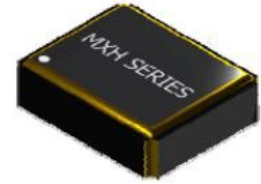


- Low Profile SMD Package
- Hermetically Sealed
- Wide Frequency Range
- Custom Options Available



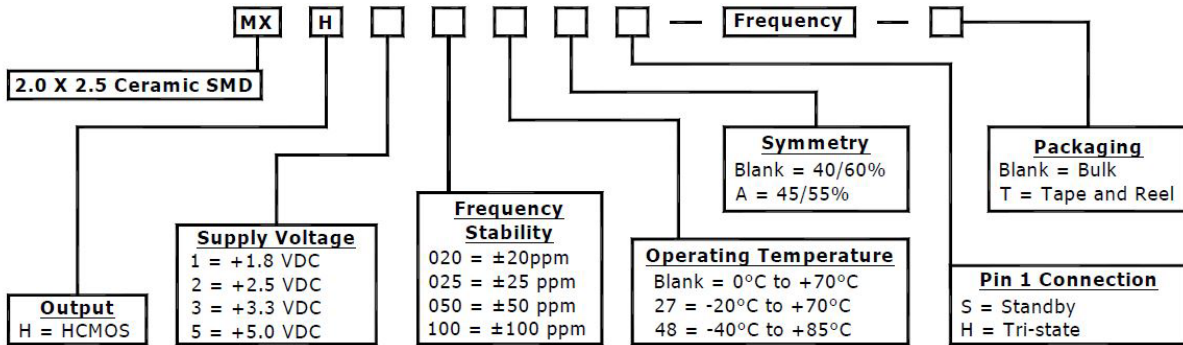
Electrical Specifications:

Frequency Range	1.544MHZ to 66.666MHZ				
Temperature Stability*	(See Part Number Guide for Options)				
Operating Temperature Range	(See Part Number Guide for Options)				
Storage Temperature Range	-40°C to +85°C				
Aging (+25°C ±3°C)	±5ppm for first year				
Supply Voltage ±10% (Vdd)	+1.80 VDC	+2.50 VDC	+3.30 VDC	+5.00 VDC	
Supply Current	1.544MHZ to 9.999MHZ	6mA max	7mA max	8mA max	10mA max
	10.000MHZ to 34.999MHZ	7mA max	8mA max	10mA max	20mA max
	35.000MHZ to 49.999MHZ	15mA max	20mA max	25mA max	50mA max
	50.000MHZ to 66.000MHZ	25mA max	30mA max	35mA max	60mA max
Waveform	HCMOS				
Logic "0"	10% Vdd max				
Logic "1"	90% Vdd min				
Rise/Fall Time (10% to 90% of Supply Voltage)	4nSec				
Load	15pF				
Symmetry (50% of waveform)	(See Part Number Guide for Options)				
Start-up Time	10mSec max				
Absolute Clock Period Jitter	1pSec				
Tri-State Operation	Voh = 70% of Vdd min to Enable Output Vol = 30% max or grounded to Disable Output (High Impedance)				
Standby Current (only with "S" Option)	<7 Micro Amps				
* Inclusive of Temperature., Load and Voltage					

Environmental & Mechanical Detail

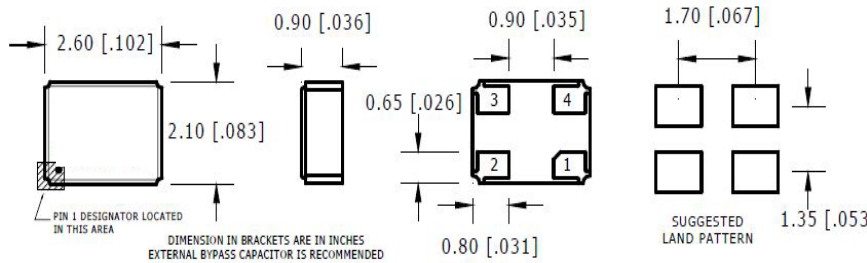
Shock	MIL-STD-883, Method 2002, Cond B
Solderability	MIL-STD-883, Method 2003
Solvent Resistance	MIL-STD-202, Method 215
Vibration	MIL-STD-883, Meth 2007, Cond A
Gross Leak Test	MIL-STD-883, Meth 1014, Cond C
Fine Leak Test	MIL-STD-883, Meth 1014, Cond A2
MSL	Level 1 per IPC/JEDEC J-STD 20

Part Number Guide



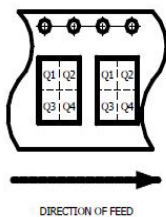
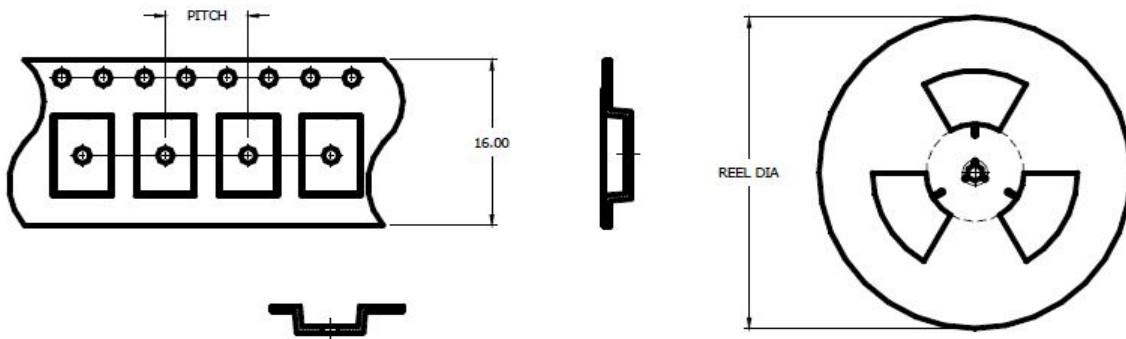
Please Consult with MMD Sales Department for any other Parameters or Options

Mechanical Details



Pin Connections	
Pin 1	Tri-State / Standby
Pin 2	Case Ground
Pin 3	Output
Pin 4	Supply Voltage

Tape & Reel Dimensions



PITCH	4.00 [0.157]
TAPE WIDTH	8.00 [0.315]
REEL DIA	180 [7.0]
COUNT	1000
PIN 1 ORIENT	Q1

- Notes: UNLESS OTHERWISE SPECIFIED
- Applicable Standards / Specifications
ANSI Y14.5M, Dimensions and Tolerances
EIA-481-B, 8mm through 200mm Embossed Carrier Tapping and 8mm and 12mm Punched Carrier Tapping of Surface Mount Components for Automatic Handling.
 - Dimensions are in millimetres [inch].
 - Tolerances are ±0.1 [0.004] mm unless otherwise specified.
 - Do not scale drawing.