

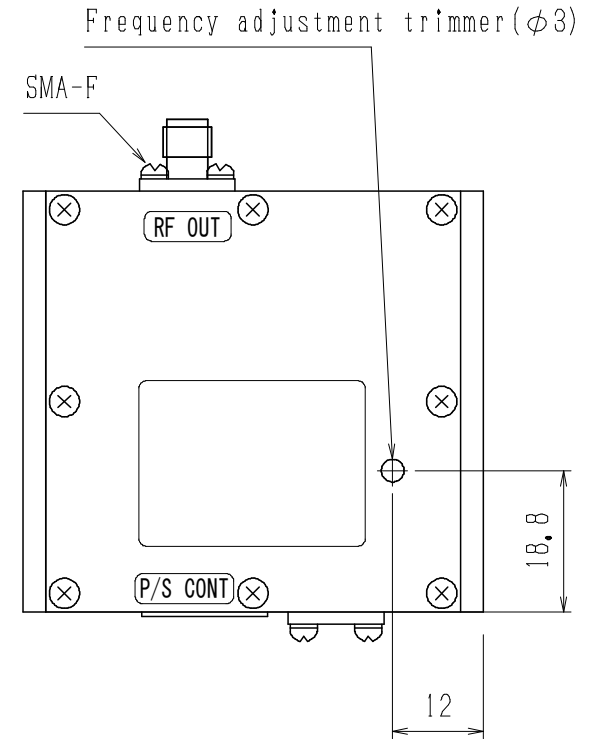
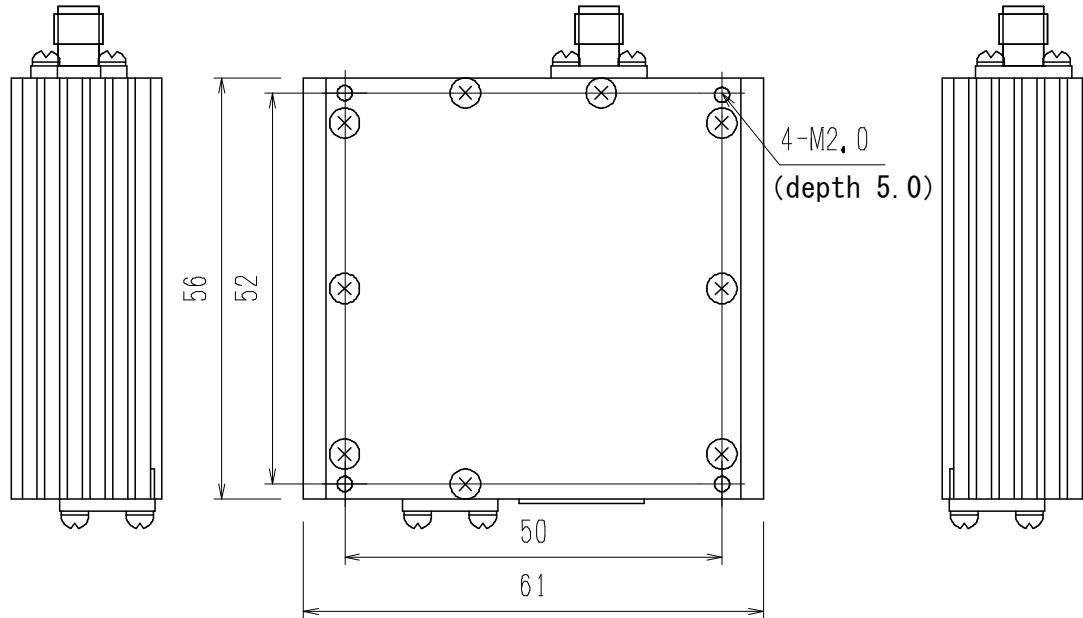
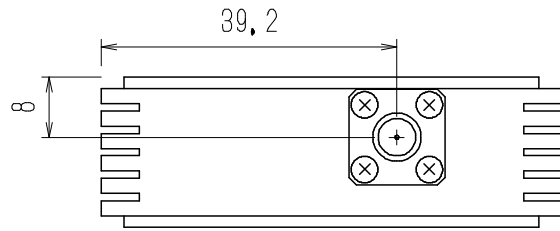


Wide Bandwidth Frequency Synthesizer

Built-in Low-G TCXO

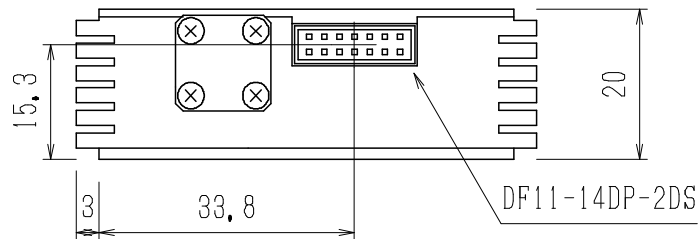
Model : N-DCN-SC932-501 (IR) -LG

Parameter	Specification	Remark
1. Electrical		
1.1 RF Output		500KHz Step
(1) Frequency Range	6300~9300MHz	
(2) Phase Noise		
100Hz offset	$\leq -80\text{dBc/Hz}$	
1KHz offset	$\leq -85\text{dBc/Hz}$	
10KHz offset	$\leq -85\text{dBc/Hz}$	
100KHz offset	$\leq -102\text{dBc/Hz}$	
(3) RF Output Level	$\geq -5\text{dBm}$	
1.2 Spurious		2fo
(1) Harmonics	$\leq -35\text{dBc}$	
(2) Non-Harmonics	$\leq -65\text{dBc}$	
1.3 Frequency Stability	$\leq \pm 1\text{ppm}$ $\geq \pm 2\text{ppm (Adjustable Range)}$	-10~ +75°C
1.4 Alarm Output	Lock : TTL-Hi Un-lock : TTL-Lo	After Data-In
1.5 Lock-up Time	$\leq 20\text{msec}$	
1.6 Channel Select	3-Line Serial Data (CMOS)	
1.7 DC	+12V typical, 200mA Max	
2. Environmental	No-Damage under following Conditions	Guarantee the performance Guarantee the operation
(1) Operating Temp. Range	-10~ +75°C -20~ +75°C	
(2) Vibration	Amp. : 2mm, 10~25 Cycle/Sec, 30 minutes with 3-Axis each	
(3) Mechanical Shock	Drop 3-times from h=10cm on the wooden plate	
3. Mechanical		SOD111xxAR
(1) Size & Weight	See attached 150g Max	
(2) Connector		
RF Out	SMA (F)	
Control & DC Bias	DF11-14DP-2DS (52)	



DF11-14DP-2DS (52)

No.	NAME
1	Alarm
2	GND
3	NC
4	GND
5	NC
6	GND
7	STB
8	DATA
9	CLK
10	NC
11	+12.0V
12	GND
13	NC
14	NC



UNIT : mm

KS3008
N-DCN-SC932-501(IR)-LG

NEL Frequency Controls Inc.