

ILCX08 Series



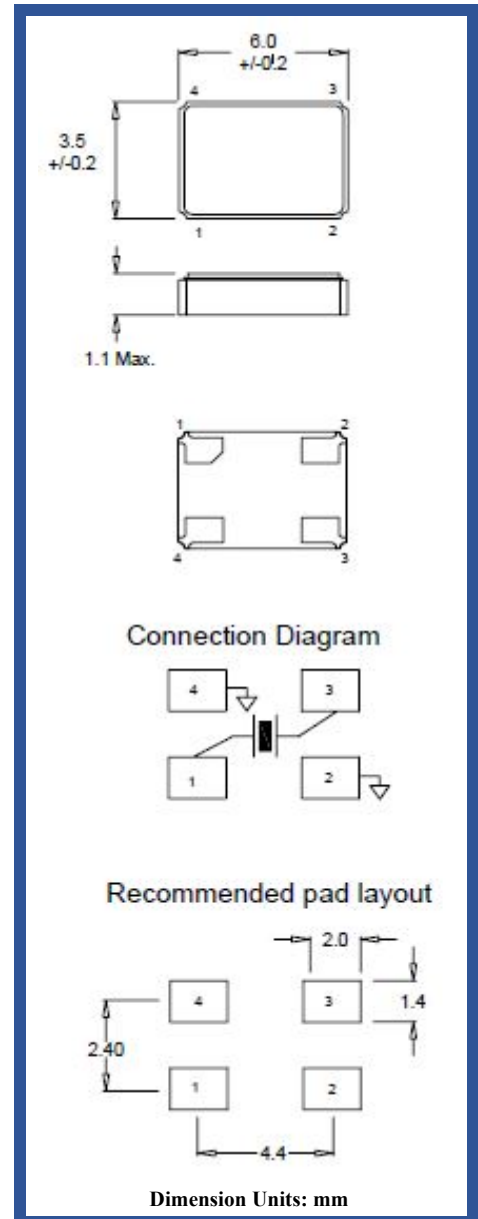
Product Feature:

Low Cost SMD Package
 Low Profile Package
 Compatible with Leadfree Processing

Applications:

Fibre Channel
 Server & Storage
 Sonet /SDH
 802.11 / Wifi
 T1/E1.T3/E3
 System Clock

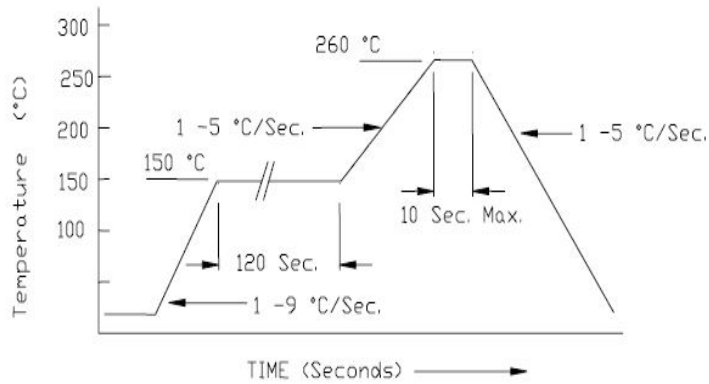
| | |
|---|---|
| Frequency | 8 MHz to 100 MHz |
| ESR (Equivalent Series Resistance) | |
| 8 MHz – 48 MHz | 60 Ω Max. |
| 36 MHz – 100.0 MHz (3rd O.T.) | 60 Ω Max. |
| Shunt Capacitance (C0) | 7 pF Max. |
| Frequency Tolerance @ 25° C | ±30 ppm Standard (see Part Number Guide for more options) |
| Frequency Stability over Temperature | ±50 ppm Standard (see Part Number Guide for more options) |
| Crystal Cut | AT Cut |
| Load Capacitance | 18 pF Standard (see Part Number Guide for more options) |
| Drive Level | 500 uW Max. |
| Aging | ±5 ppm Max. / Year Standard |
| Temperature | |
| Operating | 0° C to +70° C Standard (see Part Number Guide for more options) |
| Storage | -40° C to +85° C Standard |



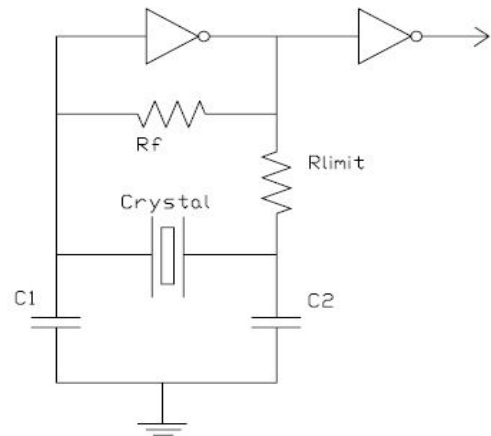
| Part Number Guide | | | | | | |
|--|-------------------------------------|--|-----------------------------|--------------------|-----------------------------|-------------|
| Sample Part Number: ILCX08 – FB1F18 – 20.000 MHz | | | | | | |
| Package | Tolerance (ppm) at Room Temperature | Stability (ppm) over Operating Temperature | Operating Temperature Range | Mode (overtone) | Load Capacitance (pF) | Frequency |
| ILCX08- | B = ±50ppm | B = ±50ppm | 0 = 0°C to +50°C | F = Fundamental | 18pF Standard Or Specify | -20.000 MHz |
| | F = ±30ppm | F = ±30ppm | 1 = 0°C to +70°C | 3 = Third Overtone | | |
| | G = ±25ppm | G = ±25ppm | 2 = -10°C to +60°C | | | |
| | H = ±20ppm | H = ±20ppm | 3 = -20°C to +70°C | | | |
| | I = ±15ppm | I = ±15ppm*, ** | 5 = -40°C to +85°C | | | |
| | J = ±10ppm* | J = ±10ppm*, ** | 9 = -10°C to +50°C | | | |

* Not available at all frequencies. ** Not available for all temperature ranges.

Pb Free Solder Reflow Profile:



Typical Circuit:

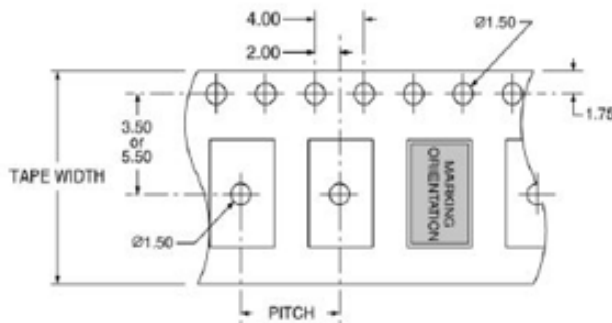


*Units are backward compatible with 240C reflow processes

Package Information:

MSL = 1
Termination = e4 (Au over Ni over W base metal).

Tape and Reel Information:



All Dimensions in millimeters

| | |
|---------------------|--------------|
| Pitch | 8.00 |
| Tape Width | 16.00 |
| Reel DIA | 180 |
| QTY per Reel | 1000 |