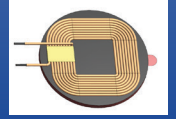


15-20W Wireless Charging Receiver Transmitter Coil



AWCCA-TX520350-F001



OD 52.0 x 3.5mm
RoHS/RoHS II Compliant
MSL = 1

Features

- Ideal for 15-20W applications
- Dimensions: OD 52.0 x 3.5 mm
- Compact design
- High permeability shielding to protect sensitive electronics
- Very high-power density
- Low DCR

Applications

- Batteries and battery chargers
- Charging accessories and fast chargers
- Portable electronics
- Roamable electronics
- Drones and robotics
- IoT and industrial IoT
- Power tools
- AR / VR
- Wearables

Maximum Ratings

Item	Value
Operating Temperature Range	T = -25°C ~ 85°C, RH 65±20%
Storage Temperature Range	T = -40°C~85°C, RH 65±20%

Electrical Specifications

Part Number	Inductance	DC Resistance	Q
AWCCA-TX520350-F001	10.0µH±10%	65mΩ Max	80.0
Test Condition	100KHz / 1V	100KHz / 1V	100KHz/1V
Test Environment	Temperature: 25±10°C, RH: 65% ±20%. Equipment: LCZ METER 1062B, LCZ METER 502		

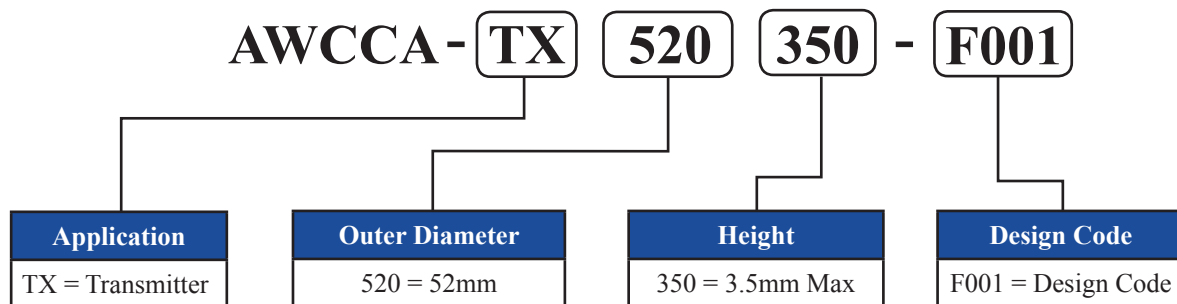
Test Conditions

Ambient Temperature: 20±15°C, RH: 65% ±20%.

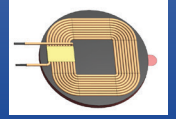
If any doubt on the results, measurements/tests should be made within the following limits:

Ambient Temperature: 25±5°C, RH: 75%±10%

Part Identification



15-20W Wireless Charging Receiver Transmitter Coil

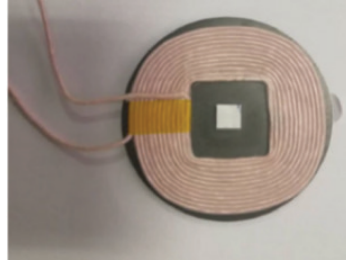


AWCCA-TX520350-F001

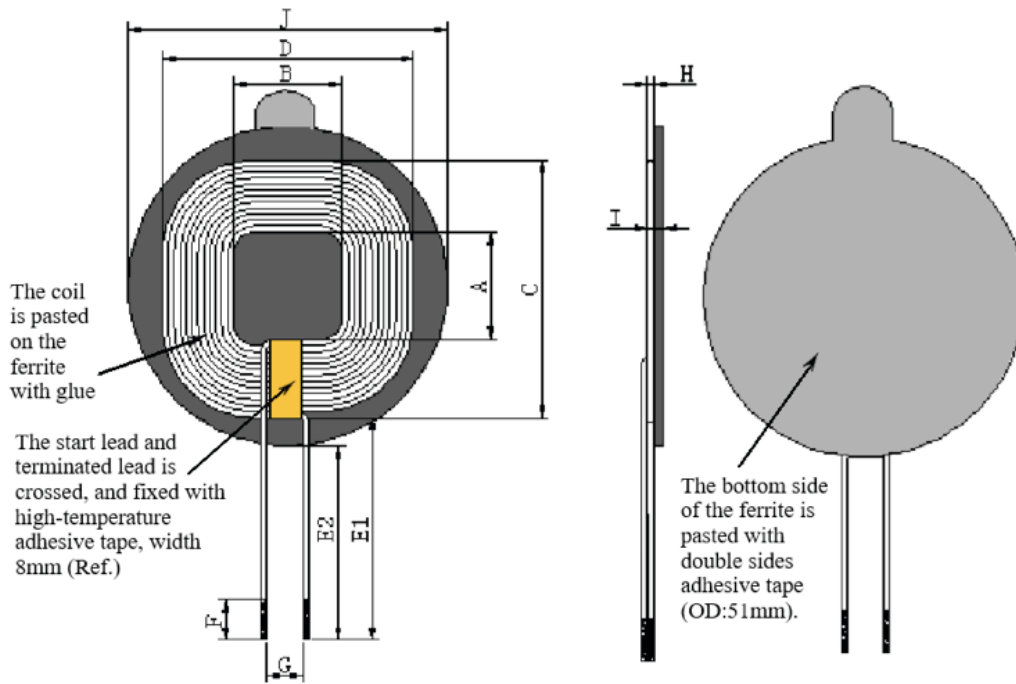


OD 52.0 x 3.5mm
RoHS/RoHS II Compliant
MSL = 1

Product Image



Mechanical Dimensions (Unit: mm)



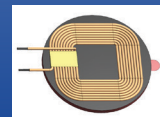
Dimensions of AWCCA-TX520350-F001

Item	A	B	C	D	E1	E2	F	G	H	I	J
Spec	19.0	19.0	48.0	48.0	14.0	12.00	2-5	10.0	1.20	3.5	52.0
Tol	±0.5	±0.5	±1.0	±1.0	Ref	±2.0	-	Ref	±2.0	Max	±1.0

Winding Details of AWCCA-TX520350-F001

Number of Coils	Wire	Number of Turns	Inductance
1	0.08*105P cooper wire	12 Turns, 1 Layer, CCW	10.0μH±10%
	Wire Material: Copper	Lead-Free	
	Ferrite	Φ52*1.0mm Mn-Zn Ferrite	

15-20W Wireless Charging Receiver Transmitter Coil



AWCCA-TX520350-F001



OD 52.0 x 3.5mm
RoHS/RoHS II Compliant
MSL = 1

Soldering Information

Wave Soldering Profile:

Not suitable for wave soldering

Manual Soldering:

350°C Max, 3secs

Packaging

- Qty per Tray: 200pcs
- Qty Trays per box: 5
- Dimension of each tray: 370*265*55mm
- Dimension of each box: 420*270*310mm
- MOQ: 2000 pcs

Storage and Operational Condition

Storage Conditions:

- Recommended storage conditions: -40°C~85°C, RH 65±20%
- Service life: 12 Month @40°C, RH 40 ~ 65%.
- The appearance and solder ability should be check, if product is not in expiry date.

Operation Conditions:

- Use condition limit: T= -25°C ~ 85°C, RH 65±20%.