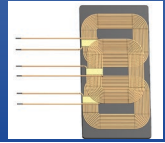


20W Wireless Charging Transmitter Triple Coils



AWCCA-TX1005545-F002



100.0 x 55.0 x 4.5 mm
RoHS/RoHS II Compliant
MSL = 1

Features

- Ideal for 20W applications
- Outline Dimensions: 100.0 x 55.0 x 4.5mm
- High permeability shielding to protect sensitive electronics
- Very high-power density
- Low DCR / very high inductance

Applications

- Batteries and battery chargers
- Charging accessories and fast chargers
- Portable electronics
- Roamable electronics
- Drones and robotics
- IoT and industrial IoT
- Power tools
- AR / VR
- Wearables

Maximum Ratings

Item	Value
Operating Temperature Range	T = -25°C ~ 85°C, RH 65±20%
Storage Temperature Range	T = -40°C~85°C, RH 65±20%

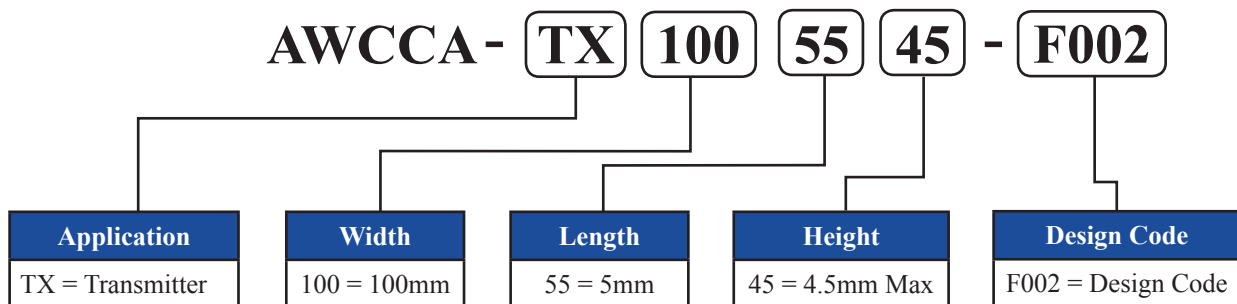
Electrical Specifications

Part Number	Coil	Inductance	DC Resistance	Q
AWCCA-TX1005545-F002	L1	12.5µH±10%	<75mΩ Max	90 Ref
	L2	12.5µH±10%	<75mΩ Max	
	L3	11.5µH±10%	<75mΩ Max	
Test Condition		100KHz / 1V	20±15°C	100KHz / 1V
Test Environment	Temperature: 25±10°C, RH: 65% ±20%. Equipment: LCZ METER 1062B, LCZ METER 502			

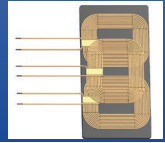
Test Conditions

Ambient Temperature: 20±10°C, RH: 65% ±20%.

Part Identification



20W Wireless Charging Transmitter Triple Coils



AWCCA-TX1005545-F002

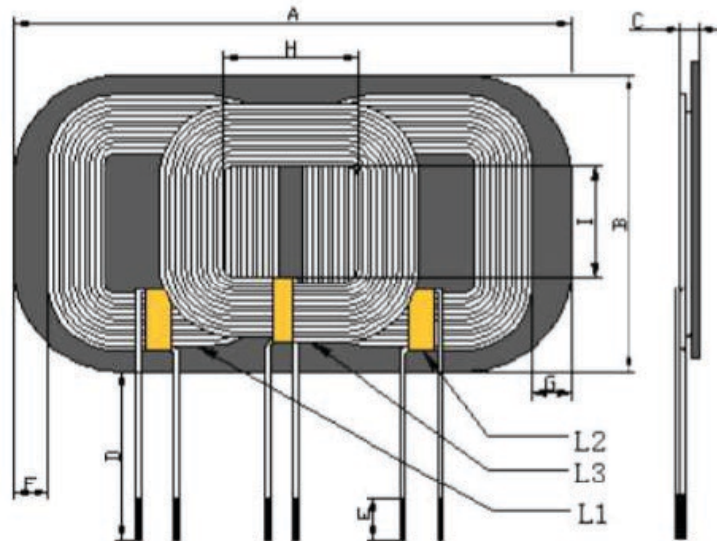


100.0 x 55.0 x 4.5 mm
RoHS/RoHS II Compliant
MSL = 1

Product Image



Mechanical Dimensions (Unit: mm)



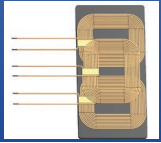
Dimensions of AWCCA-TX1005545-F002

Item	A	B	C	D	E	F	G	H	I
Spec	100.0	55.0	4.5	50.0	2-5	3.0	3.0	27.5	19.5
Tol	±1.5	±1.0	Max	±3.0	-	Ref	Ref	±0.5	±0.5

Winding Details of AWCCA-TX1005545-F002

Number of Coils	Wire	Number of Turns	Inductance
3	0.08*105P copper wire covered with silk	12 Turns, 1 Layer	L1: 12.5µH±10%
			L2: 12.5µH±10%
			L3: 11.5µH±10%
Yellow areas: 8mm (ref) high temperature adhesive tape wrapped around the outlet 1.5Ts; The start lead and terminated lead is crossed and fixed with 8mm high-temperature adhesive tape.			
Ferrite: 55*100*1mm, one side of the ferrite is pasted with black PET film, the other side is pasted with adhesive			

20W Wireless Charging Transmitter Triple Coils



AWCCA-TX1005545-F002



100.0 x 55.0 x 4.5 mm
RoHS/RoHS II Compliant
MSL = 1

Soldering Information

Wave Soldering Profile:

Not suitable for wave soldering

Manual Soldering:

350°C Max, 3secs

Packaging

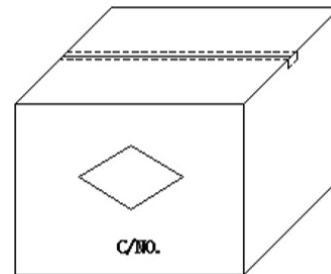
Tray: 112pcs

Outer Packaging: Box, 560pcs, containing 5 Trays

MOQ: 1000



Tray



Outer Packaging

Item	Quantity	Dimensions
Tray	112pcs	370*265*55mm
Outer Packaging	560pcs	420*270*310mm

Storage and Operational Condition

Storage Conditions:

- Recommended storage conditions: -40°C~85°C, RH 65±20%
- Service life: 12 Month @40°C, RH 40 ~ 65%.

Operation Conditions:

- Use condition limit: T=-25°C ~ 85°C, RH 65±20%.

ATTENTION: Abracon LLC's products are COTS – Commercial-Off-The-Shelf products; suitable for Commercial, Industrial and, where designated, Automotive Applications. Abracon's products are not specifically designed for Military, Aviation, Aerospace, Life-dependent Medical applications or any application requiring high reliability where component failure could result in loss of life and/or property. For applications requiring high reliability and/or presenting an extreme operating environment, written consent and authorization from Abracon LLC is required. Please contact Abracon LLC for more information.



5101 Hidden Creek Ln Spicewood TX 78669
Phone: 512-371-6159 | Fax: 512-351-8858
For terms and conditions of sales, please visit:
www.abracon.com

REVISED: 03-15-19

ABRACON IS
ISO9001-2015
CERTIFIED