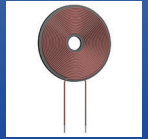


15-20W Wireless Charging Receiver Coil



AWCCA-RX300200-102



Ø30.0 x 2.0 mm
RoHS/RoHS II Compliant
MSL = 1

Features

- Ideal for 15W to 20W applications
- Fast charge
- Dimensions: Ø30.0 x 2.0mm
- High permeability shielding to protect sensitive electronics
- High power density / low DCR
- Hole in the middle for LED or buttons

Applications

- Batteries and battery chargers
- Charging accessories and fast chargers
- Portable electronics
- Roamable electronics
- Drones and robotics
- IoT and industrial IoT
- Power tools
- AR / VR
- Wearables

Maximum Ratings

Item	Value
Operating Temperature Range	T = -25°C ~ 85°C, RH 65±20%
Storage Temperature Range	T = -40°C~85°C, RH 65±20%

Electrical Specifications

Part Number	Inductance	DC Resistance	Q
AWCCA-RX300200-102	6.3µH±10%	140mΩ Max	26 Typ
Test Condition	100KHz / 1V	20±15°C	100KHz/1V
Test Environment	Temperature: 20±15°C, RH: 65% ±20%. Equipment: HP4284A, HP42841A , Agilent 34420A or equivalent		

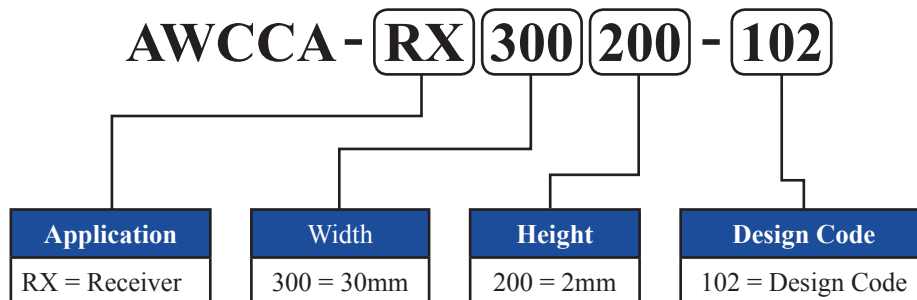
Test Conditions

Ambient Temperature: 20±15°C, RH: 65% ±20%.

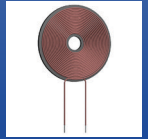
If any doubt on the results, measurements/tests should be made within the following limits:

Ambient Temperature: 25±5°C, RH: 75%±10%

Part Identification



15-20W Wireless Charging Receiver Coil



AWCCA-RX300200-102

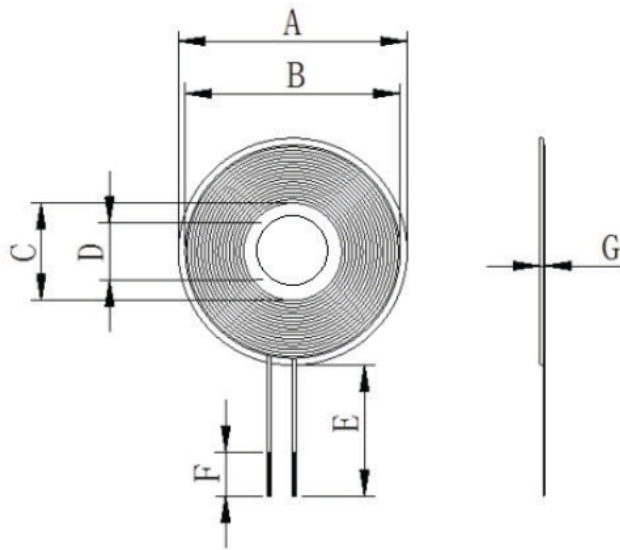


Ø30.0 x 2.0 mm
RoHS/RoHS II Compliant
MSL = 1

Product Image



Mechanical Dimensions (Unit: mm)



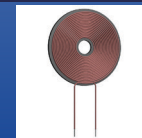
Dimensions of AWCCA-RX300200-102

Item	A	B	C	D	E	F	G
Spec	30.00	29.00	7.00	5.40	20.00	3.00	2.00
Tol	±0.50	±0.50	±0.50	±2.00	±0.50	±0.10	Max

Winding Details of AWCCA-RX300200-102

Number of Coils	Wire	Number of Turns	Inductance
1	Litz wire	-	6.3µH±10%
Magnetic Sheet	Format		
Soft Ferrite	1 layer / Ø30.0mm x 1.00mm		

15-20W Wireless Charging Receiver Coil



AWCCA-RX300200-102



Ø30.0 x 2.0 mm
RoHS/RoHS II Compliant
MSL = 1

Soldering Information

Wave Soldering Profile:

Not suitable for wave soldering

Manual Soldering:

350°C Max, 3secs

Packaging

- 300 pcs per tray
- 4 trays per carton
- 1200 pcs per carton
- Carton dimension: 41.5 x 30.0 x 30.0cm
- Weight per carton: 12kg

Storage and Operational Condition

Storage Conditions:

- Recommended storage conditions: -40°C~85°C, RH 65±20%
- Service life: 12 Month @40°C, RH 40 ~ 65%.
- The appearance and solder ability should be check, if product is not in expiry date.

Operation Conditions:

- Use condition limit: T= -25°C ~ 85°C, RH 65±20%.

ATTENTION: Abracon LLC's products are COTS – Commercial-Off-The-Shelf products; suitable for Commercial, Industrial and, where designated, Automotive Applications. Abracon's products are not specifically designed for Military, Aviation, Aerospace, Life-dependent Medical applications or any application requiring high reliability where component failure could result in loss of life and/or property. For applications requiring high reliability and/or presenting an extreme operating environment, written consent and authorization from Abracon LLC is required. Please contact Abracon LLC for more information.



5101 Hidden Creek Ln Spicewood TX 78669
Phone: 512-371-6159 | Fax: 512-351-8858
For terms and conditions of sales, please visit:
www.abracon.com

REVISED: 04-19-19

ABRACON IS
ISO9001-2015
CERTIFIED