

# Trans-inductor Voltage Regulator (TLVR) Coupled Inductor



**ATL-1Z110611S**

Request Samples



Check Inventory



11.7 x 5.7 x 11.00 mm  
**RoHS/RoHS II Compliant**  
 MSL Level = 1

## Features

- Ferrite Core
- High Saturation current, up to 160A
- Minimized DC losses due to extremely low DCR
- Inductance up to 200nH
- Low interwinding capacitance
- Compact size for dense designs

## Applications

- Servers and data centers
- Networking and telecommunication systems
- Industrial automation and control
- Voltage Regulator Module (VRM) for FPGAs, ASICs and microprocessors
- Point-of-Load (PoL) and Multiphase DC-DC converters

## Electrical Specifications

Part Number	OCL@ 0ADC ±15%	OCL@ Isat 1 Min	Leakage Inductance Max	Interwinding Capacitance	DC Resistance ±10%		Isat1	Isat2	Isat3	Irms	
Units	nH	nH	nH	pF	mΩ		A			A	
ATL-1Z110611S	1-4/2-3	1-4	1-4	1-4/2-3	1-4	2-3	1-4			1-4	2-3
ATL-1Z110611SR07LT	70	47.6	12	10	0.125	0.370	160	140	130	77	45
ATL-1Z110611SR08LT	80	54.4					150	120	110		
ATL-1Z110611SR09LT	90	61.2					135	115	105		
ATL-1Z110611SR10LT	105	71.4					125	106	98		
ATL-1Z110611SR12LT	120	81.6					102	87	80		
ATL-1Z110611SR15LT	150	102.0					84	71	58		
ATL-1Z110611SR17LT	170	115.6					70	60	53		
ATL-1Z110611SR20LT	200	136.0					58	50	43		

### Test Conditions:

**Open Circuit Inductance (OCL)@0ADC and @Isat1:** 100KHz, 1.0Vrms

**Isat1:** DC current at which the inductance drops 20% from its nominal value at 25°C.

**Isat2:** DC current at which the inductance drops 20% from its nominal value at 100°C.

**Isat3:** DC current at which the inductance drops 20% from its nominal value at 125°C.

**Irms:** DC current that causes the temperature rise ( $\Delta T$ , approximate 40°C) from 25°C ambient.

**Max Operating Voltage:** 80V

**Core to windings breakdown Voltage:** 200V

**Operating Temperature:** -40°C ~ +125°C (including self-temperature rise)

**Storage Condition:** -40°C ~ +125°C (on board), -10°C ~ +40°C (with packaging) and R.H. 60 max.

**ATL-1Z110611S Series is RoHS Compliant and Pb free.**



5101 Hidden Creek Ln Spicewood TX 78669  
 Phone: 512-371-6159 | Fax: 512-351-8858  
 For terms and conditions of sales, please visit:  
[www.abracon.com](http://www.abracon.com)

**REVISION: IR 09-07-23**

ABRACON IS  
 ISO9001-2015  
 CERTIFIED

# Trans-inductor Voltage Regulator (TLVR) Coupled Inductor



**ATL-1Z110611S**

Request Samples

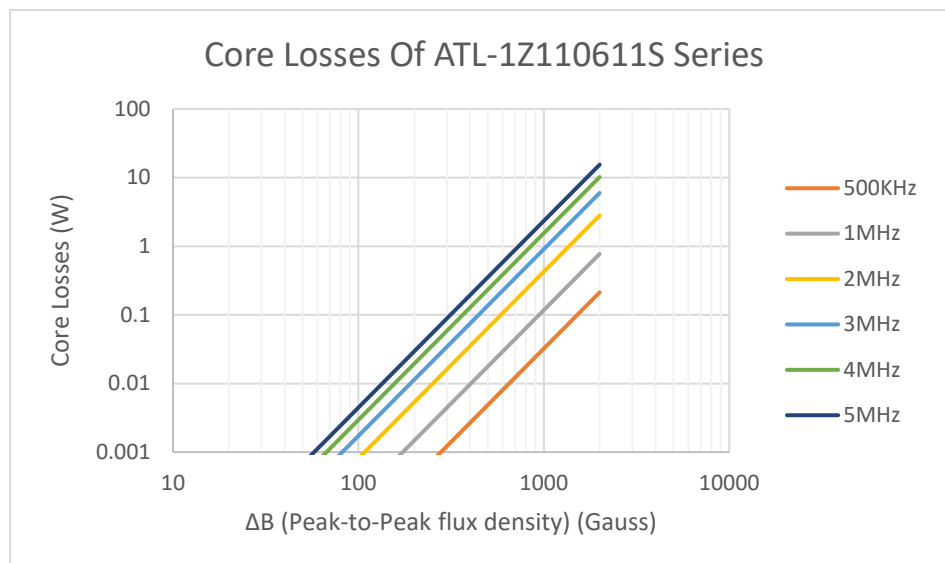
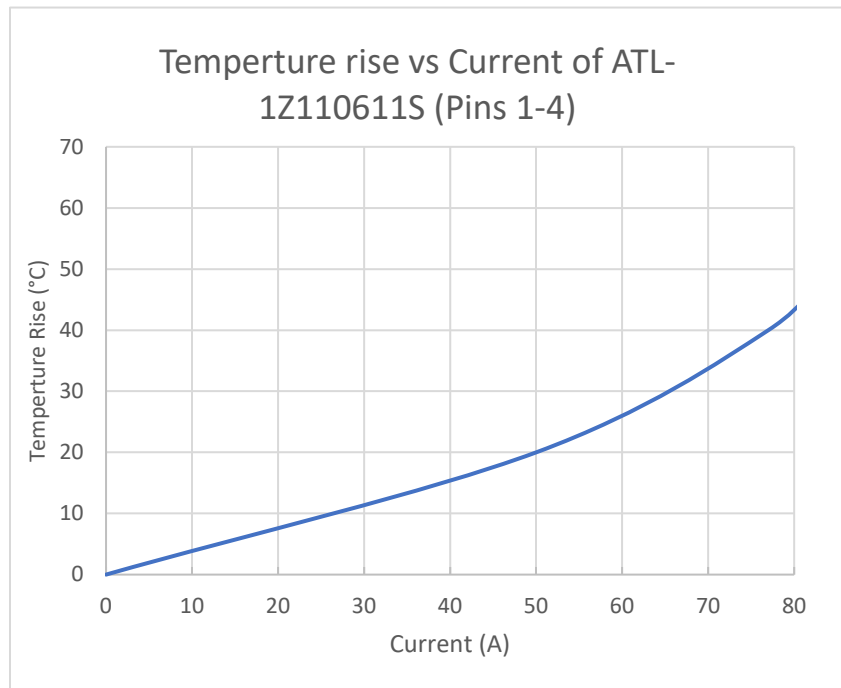


Check Inventory



11.7 x 5.7 x 11.00 mm  
RoHS/RoHS II Compliant  
MSL Level = 1

## Electrical Specifications (Cont'd)



$$\Delta B(\text{Gauss}) = 0.33 * L(\text{nH}) * \Delta I(\text{Amps})$$

# Trans-inductor Voltage Regulator (TLVR) Coupled Inductor



**ATL-1Z110611S**

Request Samples

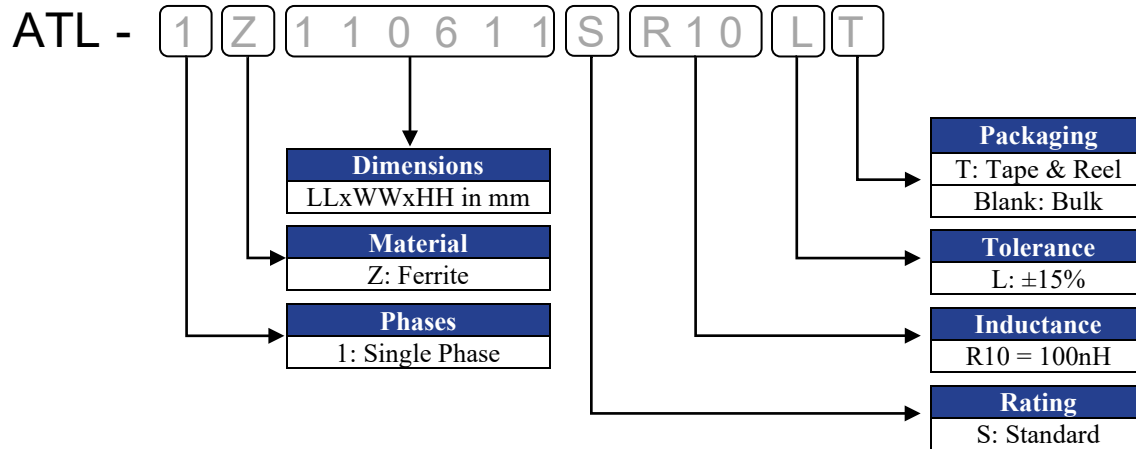


Check Inventory



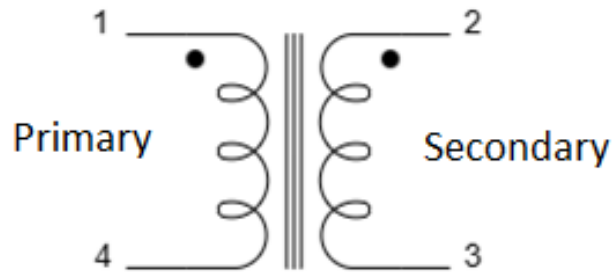
11.7 x 5.7 x 11.00 mm  
**RoHS/RoHS II Compliant**  
 MSL Level = 1

## Part Identification



\*Only part numbers listed in the Electrical Specs table are available. For custom builds, please contact Abracon.

## Schematic



# Trans-inductor Voltage Regulator (TLVR) Coupled Inductor



**ATL-1Z110611S**

Request Samples

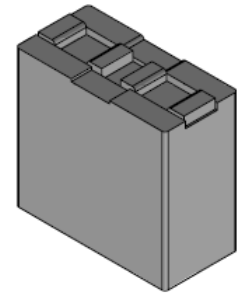
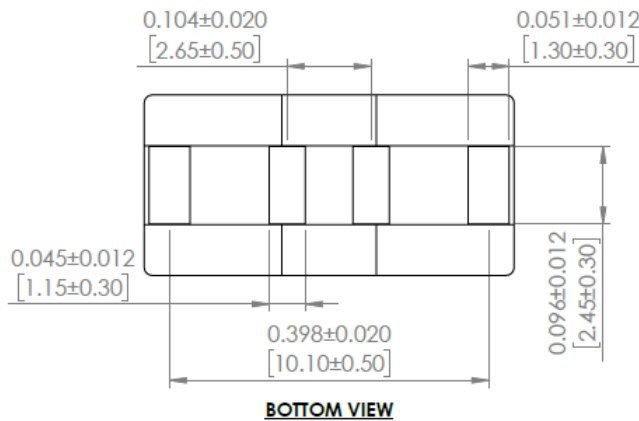
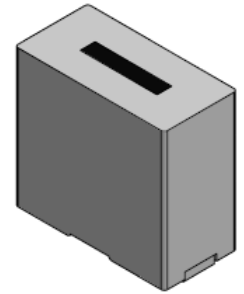
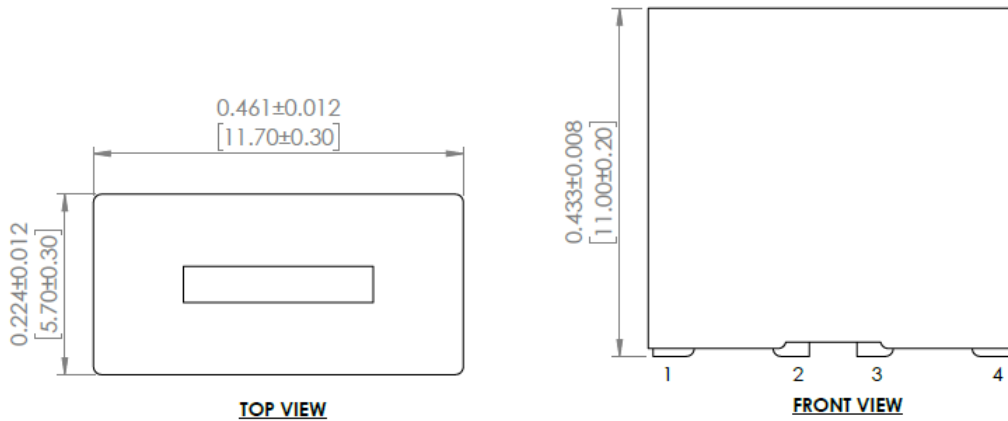


Check Inventory

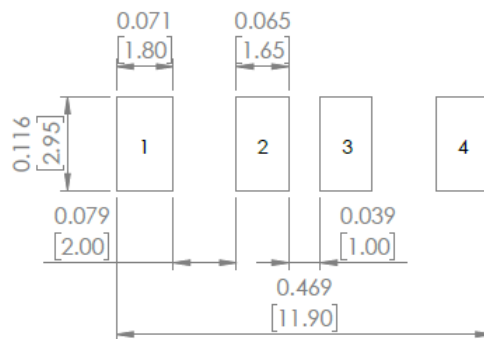


11.7 x 5.7 x 11.00 mm  
RoHS/RoHS II Compliant  
MSL Level = 1

## Mechanical Specifications



## Recommended Land Pattern



Dimensions: Inches[mm]



5101 Hidden Creek Ln Spicewood TX 78669  
Phone: 512-371-6159 | Fax: 512-351-8858  
For terms and conditions of sales, please visit:  
[www.abracon.com](http://www.abracon.com)

REVISION: IR 09-07-23

ABRACON IS  
ISO9001-2015  
CERTIFIED

# Trans-inductor Voltage Regulator (TLVR) Coupled Inductor



ATL-1Z110611S

Request Samples

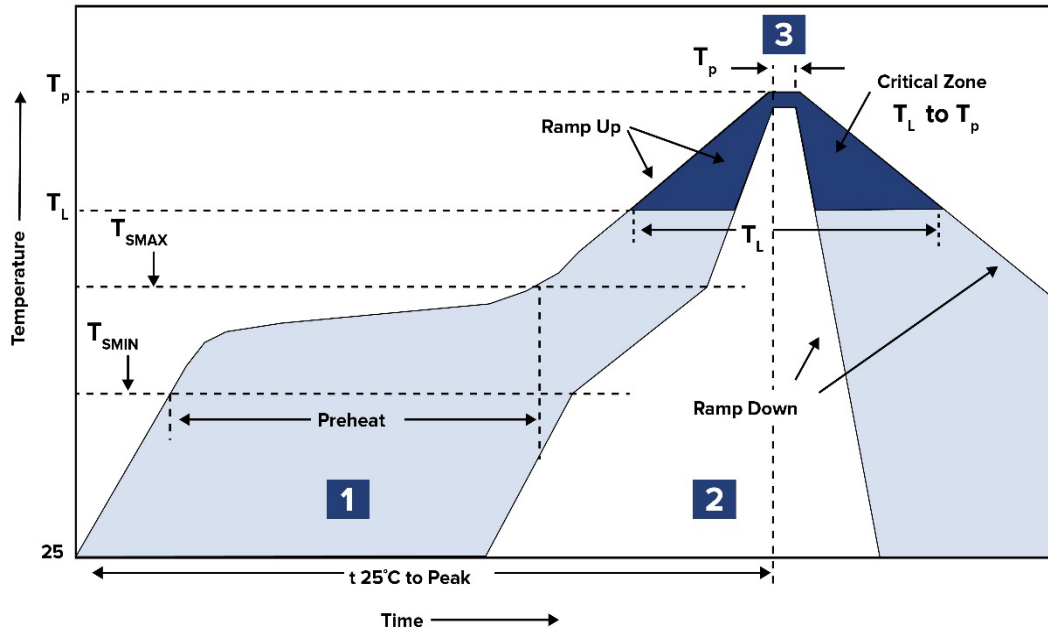


Check Inventory



11.7 x 5.7 x 11.00 mm  
RoHS/RoHS II Compliant  
MSL Level = 1

## Reflow Profile



Zone	Description	Temperature	Times
1	Preheat	$T_{SMIN} \sim T_{SMAX}$ 150°C ~ 200°C	60 ~ 120 sec.
2	Reflow	$T_L$ 217°C	60 ~ 150 sec.
3	Peak Temperature	$T_c$ 260°C	5 sec. max

Max. ramp up rate: 3°C/sec.

Max. ramp down rate: 6°C/sec.

Time from 25°C to peak Temperature: 8mins max.

Ref. Solder paste: Sn/3.0Ag/0.5Cu

# Trans-inductor Voltage Regulator (TLVR) Coupled Inductor



**ATL-1Z110611S**

Request Samples



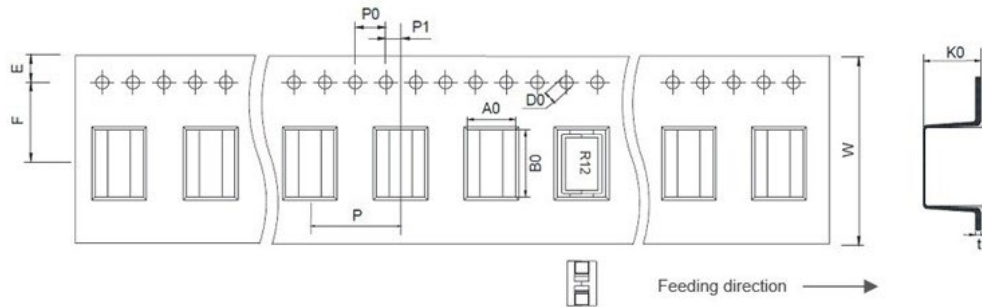
Check Inventory



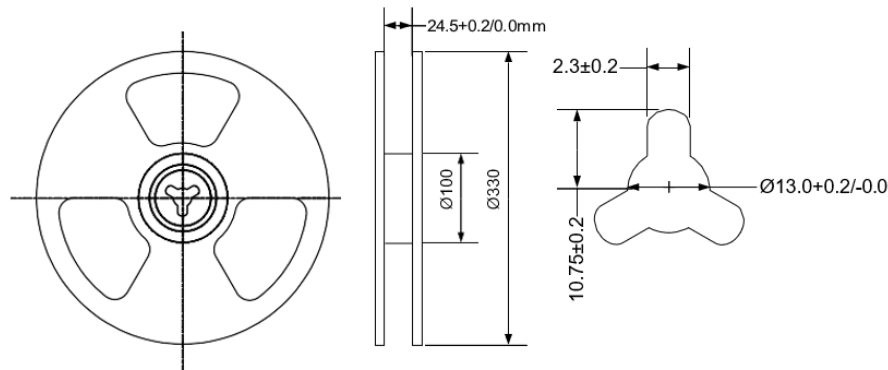
**11.7 x 5.7 x 11.00 mm**  
**RoHS/RoHS II Compliant**  
**MSL Level = 1**

## Packaging

**Tape & Reel: 400 pcs/reel**



Series	W	E	F	P0	P1	D0	A0	B0	T	K0
ATL-1Z110611S	24.00 ±0.30	1.75 ±0.10	11.50 ±0.10	4.00 ±0.10	2.00 ±0.10	1.50 ±0.10	6.20 ±0.10	12.20 ±0.10	0.50 ±0.05	11.30 ±0.10



**Dimensions: mm**

**ATTENTION:** Abracon LLC's products are COTS – Commercial-Off-The-Shelf products; suitable for Commercial, Industrial and, where designated, Automotive Applications. Abracon's products are not specifically designed for Military, Aviation, Aerospace, Life-dependent Medical applications or any application requiring high reliability where component failure could result in loss of life and/or property. For applications requiring high reliability and/or presenting an extreme operating environment, written consent and authorization from Abracon LLC is required. Please contact Abracon LLC for more information.



5101 Hidden Creek Ln Spicewood TX 78669  
 Phone: 512-371-6159 | Fax: 512-351-8858  
 For terms and conditions of sales, please visit:  
[www.abracon.com](http://www.abracon.com)

**REVISION: IR 09-07-23**

ABRACON IS  
 ISO9001-2015  
 CERTIFIED