

2500 MHz 2-WAY RF POWER DIVIDER

APDD-RF-0002

Features

- Usable Bandwidth of 400 MHz
- Compact Package Size
- Low Insertion Loss

Applications

- WLAN, Bluetooth, LNB
- Turning circuit
- Mobile Applications

Electrical Specifications

Parameters	Specifications		
	Min	Typ	Max
Nominal Center Frequency (Fc) (MHz)	-	2500	
Frequency Range	2300	2500	2700
Insertion Loss (3dB)	-	±1.2	
Isolation(min) (dB)	-	≥17	
Input VSWR (in BW)	-	≤ 1.8	
Output VSWR (in BW)	-	≤ 1.8	
Phase Difference	-	≤ 6°	
Amplitude Difference	-	≤ 1.0	
In/Output Imped(Ω)		50	
Maximum Input Power (dBm)		33	

Mechanical Specifications

Parameters	Specifications
Filter Dimension	3.2 x 1.6 x 0.9 mm
Mounting Type	SMD Mount

Environmental Specifications

Parameters	Specifications
Operating Temperature Range	-55°C ~ +105°C
Storage Temperature Range	-55°C ~ +105°C
RoHS Compliant	Yes
ESD Sensitive	Yes

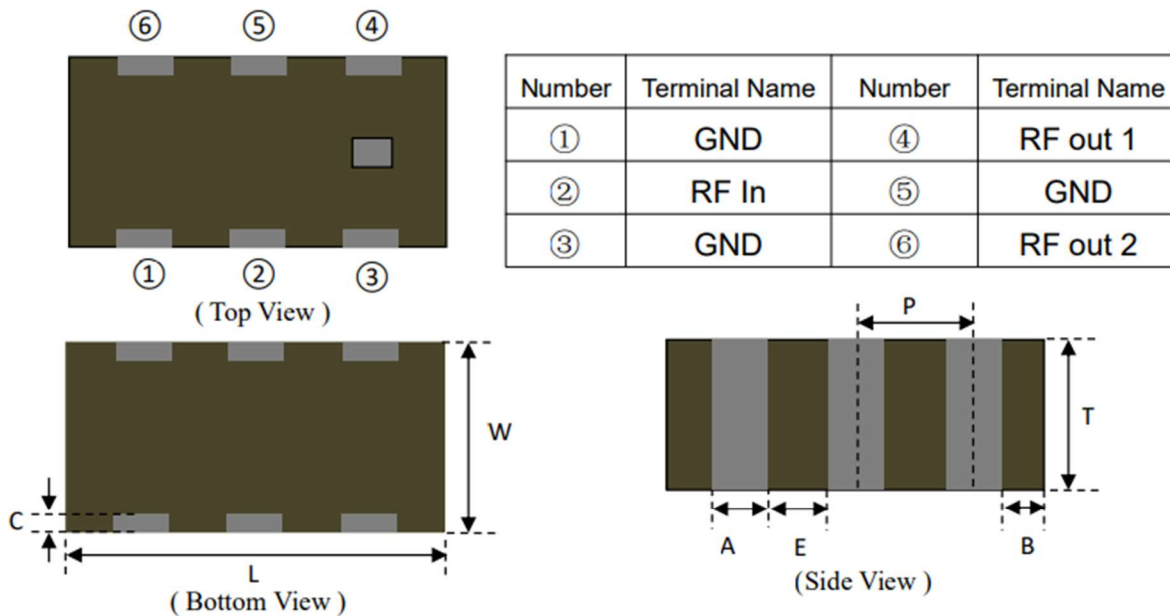


2500 MHz 2-WAY RF POWER DIVIDER

APDD-RF-0002

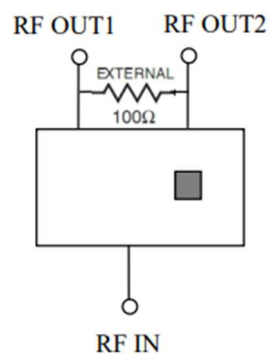
Package Dimensions

Dimensions (Unit: mm)



Symbols	L	W	T	A	B	C	E	P
Dimensions	3.2+/-0.1	1.6+/-0.1	0.9+/-0.1	0.56+/-0.1	0.33+/-0.1	0.3+/-0.1	0.43+/-0.1	0.99+/-0.1

External Electrical Schematic

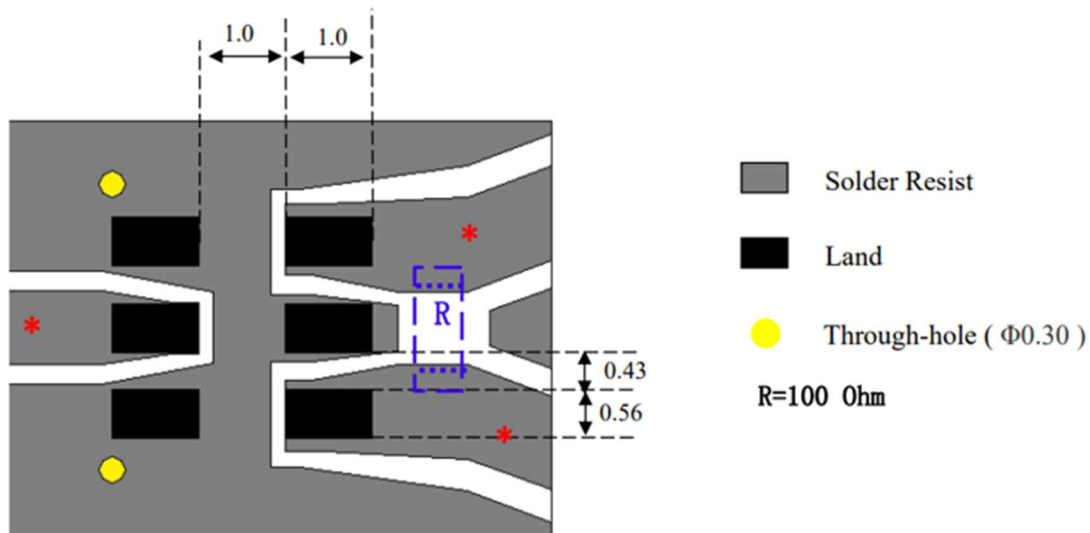


2500 MHz 2-WAY RF POWER DIVIDER

APDD-RF-0002

Footprint

Unit: mm



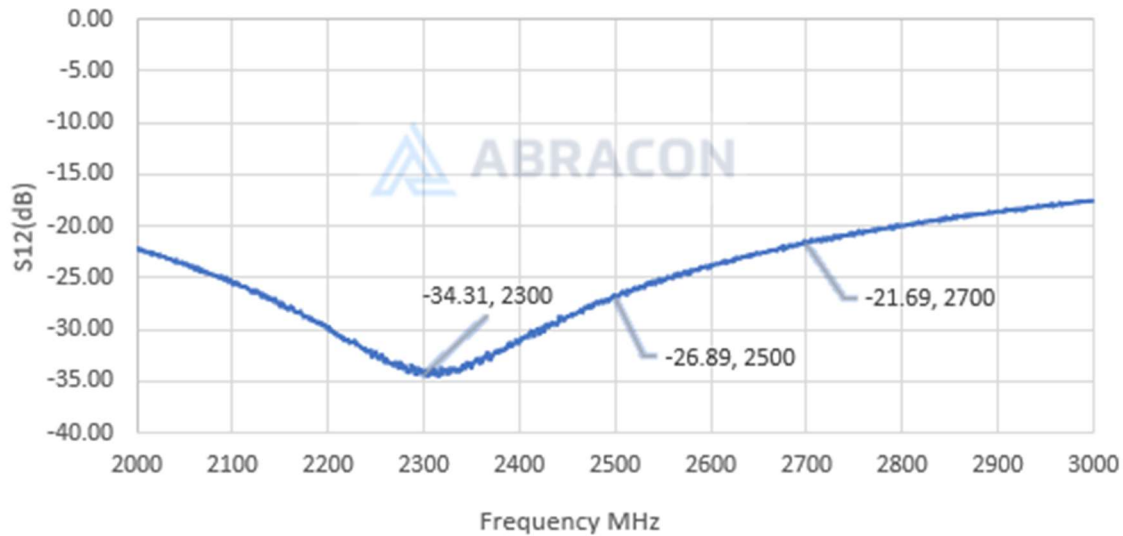
- * Line width should be designed to match 50Ω characteristic impedance, depending on PCB material and thickness.

2500 MHz 2-WAY RF POWER DIVIDER

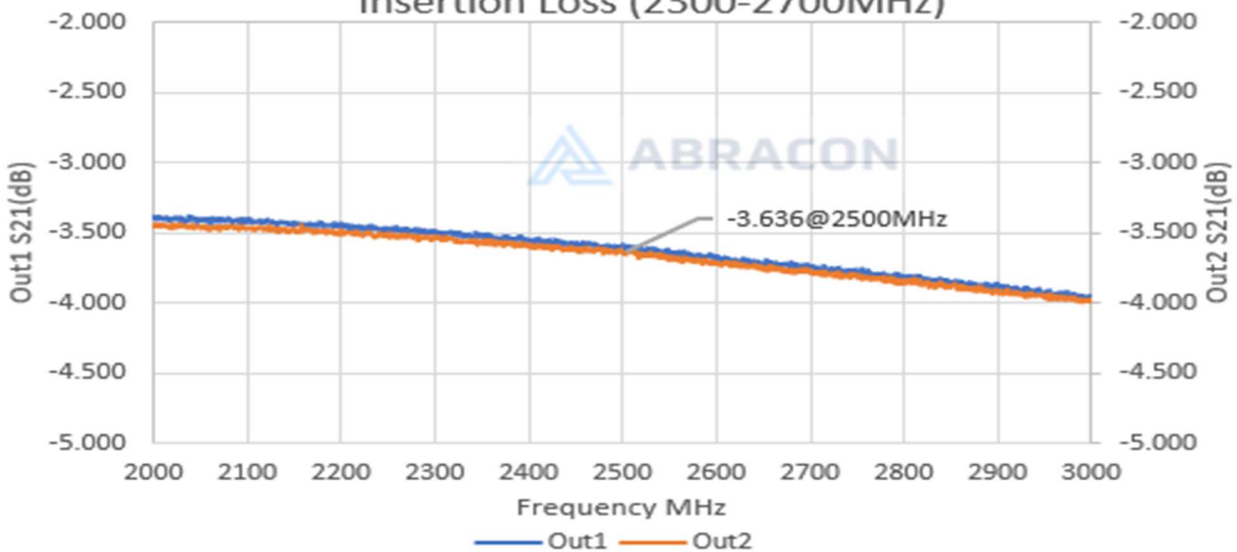
APDD-RF-0002

Transmission Characteristics

Isolation S12(2300-2700MHz)

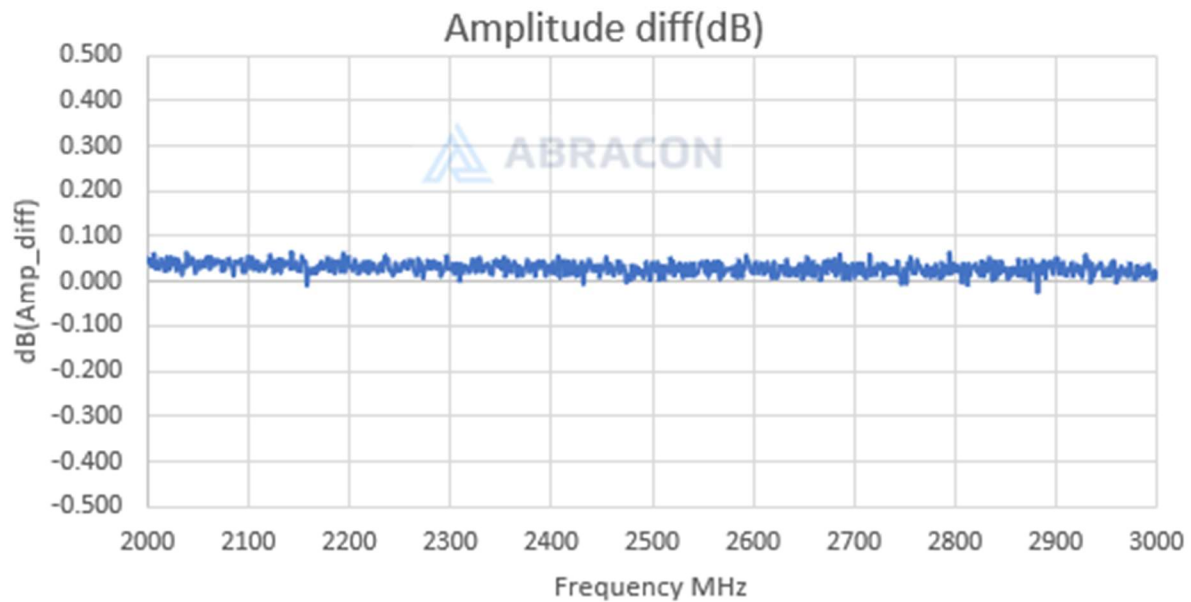
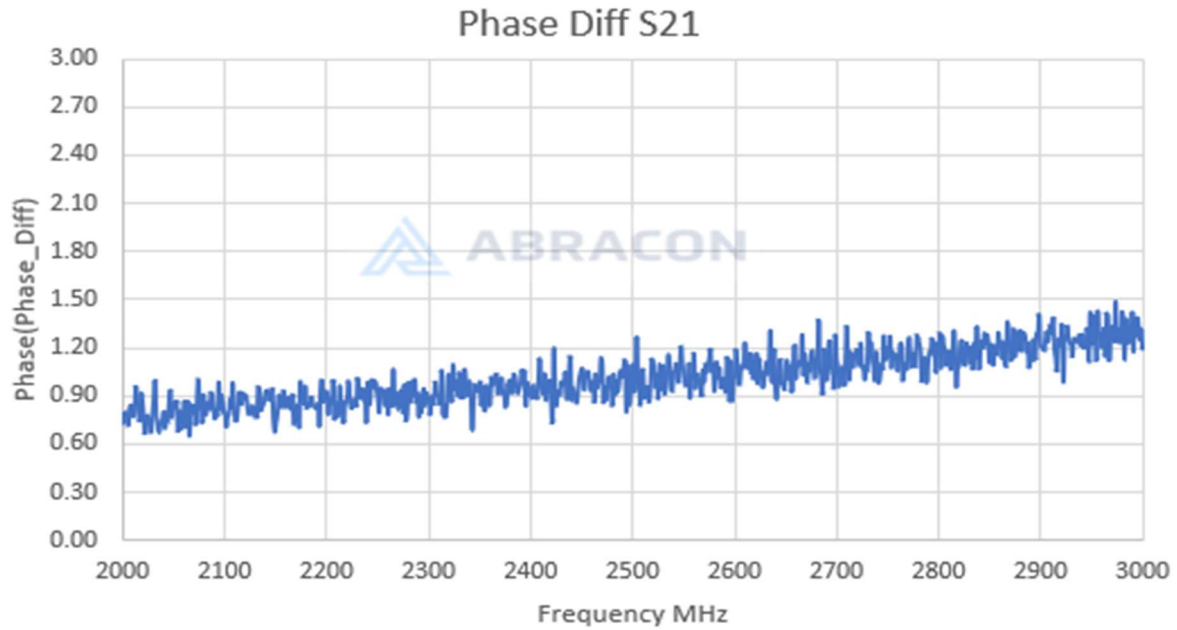


Insertion Loss (2300-2700MHz)



2500 MHz 2-WAY RF POWER DIVIDER

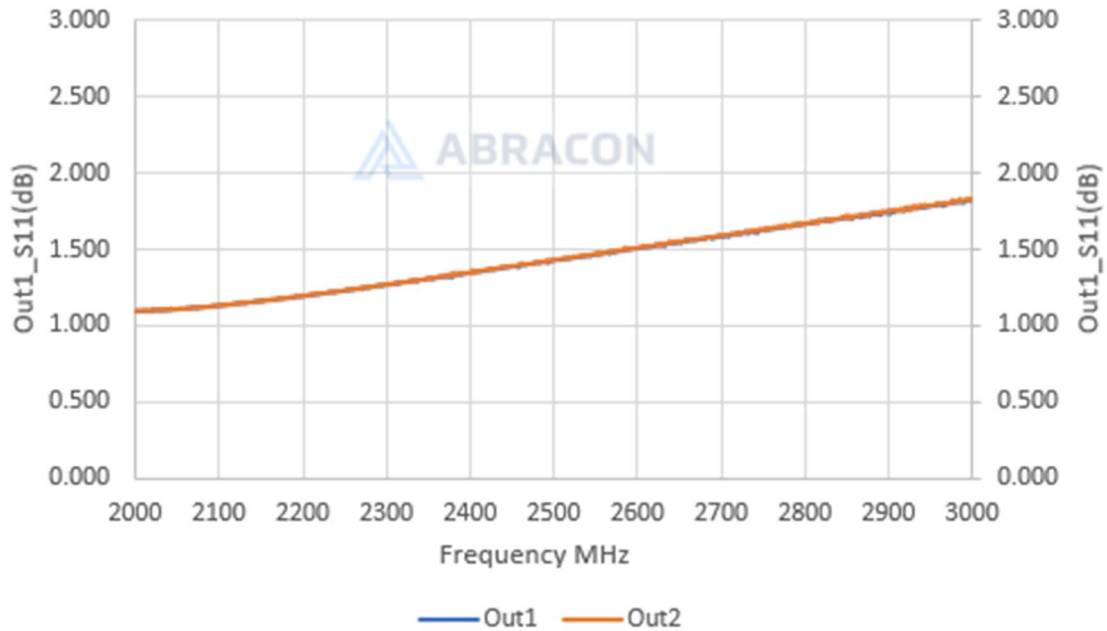
APDD-RF-0002



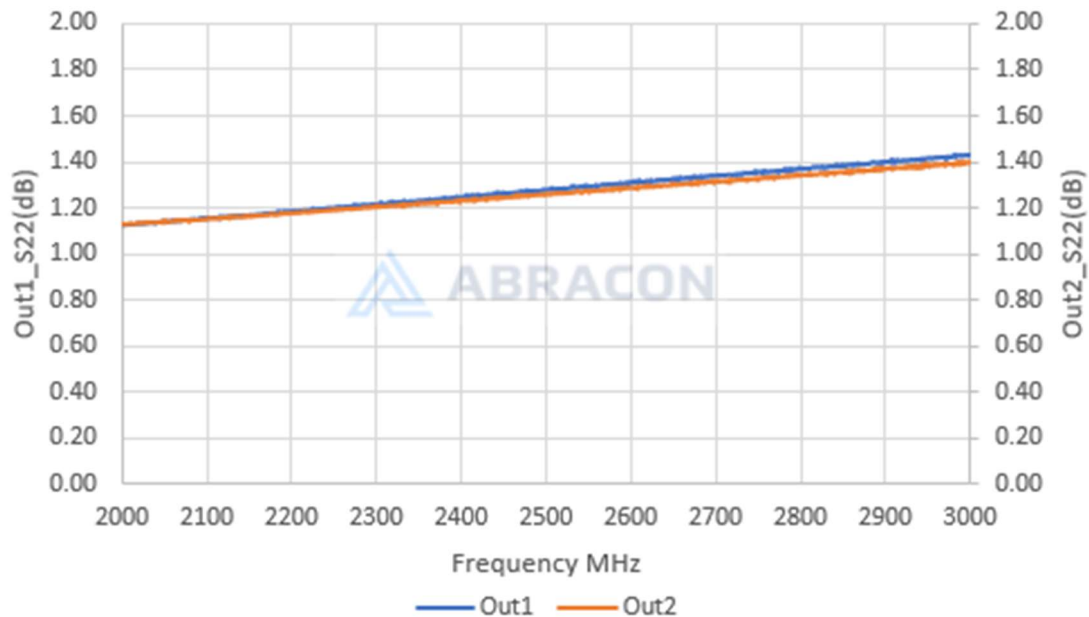
2500 MHz 2-WAY RF POWER DIVIDER

APDD-RF-0002

VSWR_S11(2300-2700MHz)



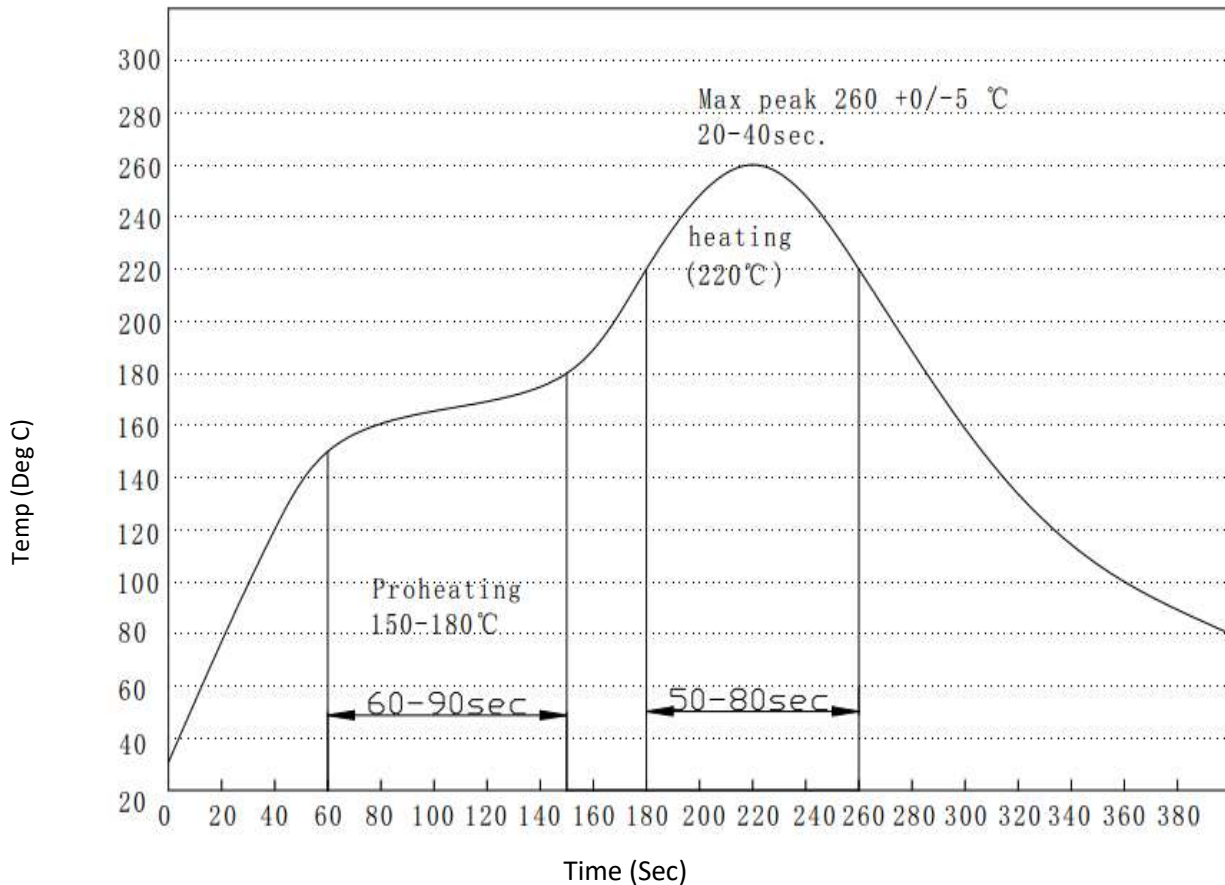
VSWR_S22(2300-2700MHz)



2500 MHz 2-WAY RF POWER DIVIDER

APDD-RF-0002

Recommended Reflow Profile



1. Preheating shall be fixed at 150~180°C for 60~90 seconds.
2. Ascending time to preheating temperature 150°C shall be 30 seconds min.
3. Heating shall be fixed at 220°C for 50~80 seconds and at 260°C +0/-5°C peak (20~40sec).
4. Time: 2 times.

2500 MHz 2-WAY RF POWER DIVIDER

APDD-RF-0002

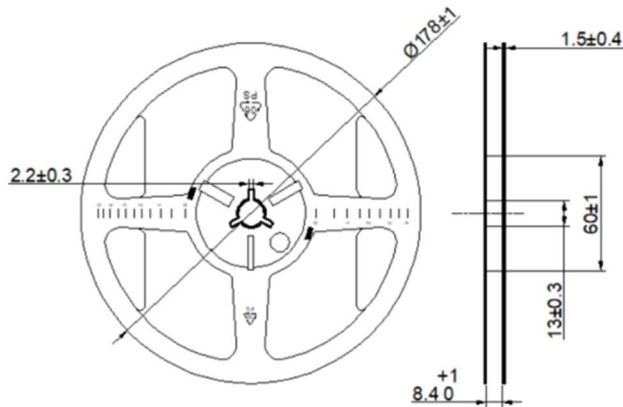
Packaging

Packaging Type: Reel and Tape

Pieces per Reel: 3000

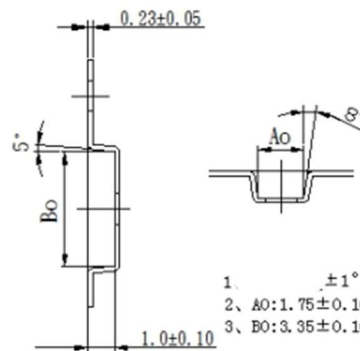
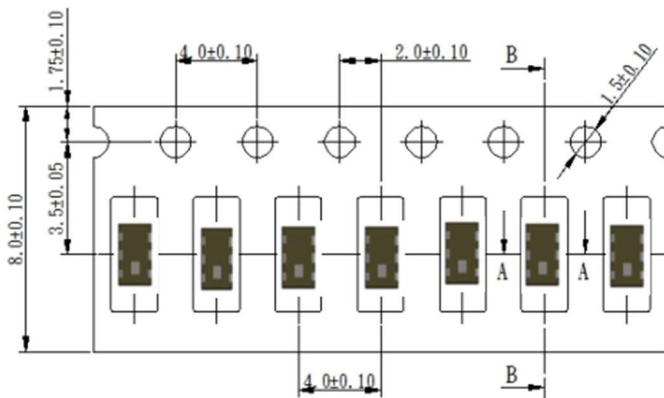
Reel Dimension

Unit: mm



Tape Dimension

ESD EMBOSSED Tape (Unit: mm)



1. $\pm 1^\circ$
2. A0: 1.75 ± 0.10
3. B0: 3.35 ± 0.10

ATTENTION: Abracon LLC's products are COTS – Commercial-Off-The-Shelf products; suitable for Commercial, Industrial and, where designated, Automotive Applications. Abracon's products are not specifically designed for Military, Aviation, Aerospace, Life-dependent Medical applications or any application requiring high reliability where component failure could result in loss of life and/or property. For applications requiring high reliability and/or presenting an extreme operating environment, written consent and authorization from Abracon LLC is required. Please contact Abracon LLC for more information.



5101 Hidden Creek Ln Spicewood TX 78669
Phone: 512-371-6159 | Fax: 512-351-8858
For terms and conditions of sales, please visit:
www.abracon.com

REVISED: 10-12-23

ABRACON IS
ISO9001-2015
CERTIFIED

2500 MHz 2-WAY RF POWER DIVIDER

APDD-RF-0002