

# 2017.5 MHz 2-WAY RF POWER DIVIDER

APDD-RF-0001

## Features

- Usable Bandwidth of 15 MHz
- Compact Package Size
- Low Insertion Loss

## Applications

- WLAN, Bluetooth, LNB
- Turning circuit
- Mobile Applications

## Electrical Specifications

Parameters	Specifications		
	Min	Typ	Max
Nominal Center Frequency (Fc) (MHz)	-	2017.5	
Frequency Range	2010	2017.5	2025
Insertion Loss (3dB)	-	±0.5	
Isolation(min) (dB)	-	≥25	
Input VSWR (in BW)	-	≤ 1.5	
Output VSWR (in BW)	-	≤ 1.5	
Phase Difference	-	≤ 2°	
Amplitude Difference	-	≤ 0.2	
In/Output Imped(Ω)		50	
Maximum Input Power (dBm)		32	

## Mechanical Specifications

Parameters	Specifications
Filter Dimension	3.2 x 1.6 x 0.9 mm
Mounting Type	SMD Mount

## Environmental Specifications

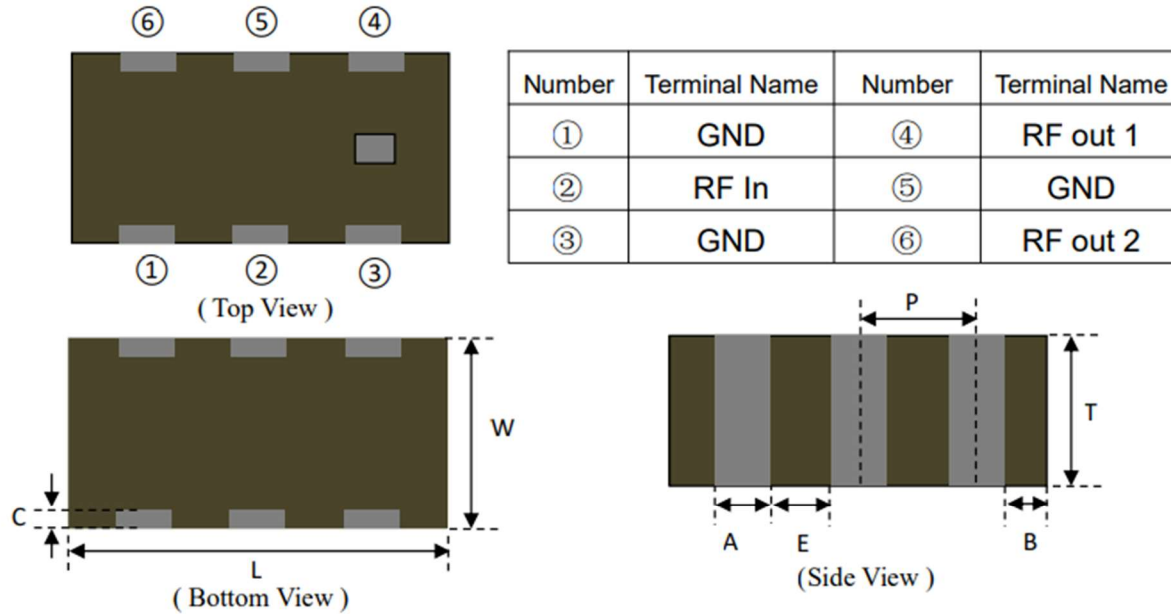
Parameters	Specifications
Operating Temperature Range	-55°C ~ +105°C
Storage Temperature Range	-55°C ~ +105°C
RoHS Compliant	Yes
ESD Sensitive	Yes

# 2017.5 MHz 2-WAY RF POWER DIVIDER

APDD-RF-0001

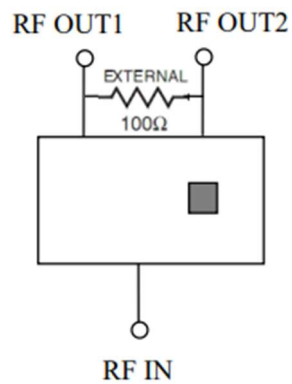
## Package Dimensions

Dimensions (Unit: mm)



Symbols	L	W	T	A	B	C	E	P
Dimensions	3.2+/-0.1	1.6+/-0.1	0.9+/-0.1	0.56+/-0.1	0.33+/-0.1	0.3+/-0.1	0.43+/-0.1	0.99+/-0.1

## External Electrical Schematic

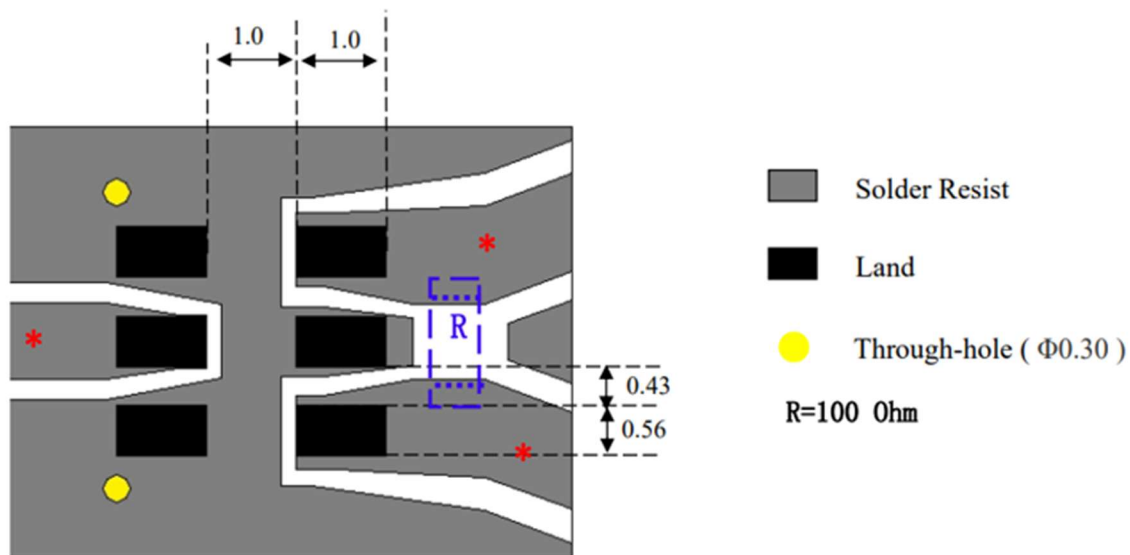


# 2017.5 MHz 2-WAY RF POWER DIVIDER

APDD-RF-0001

## Footprint

Unit: mm

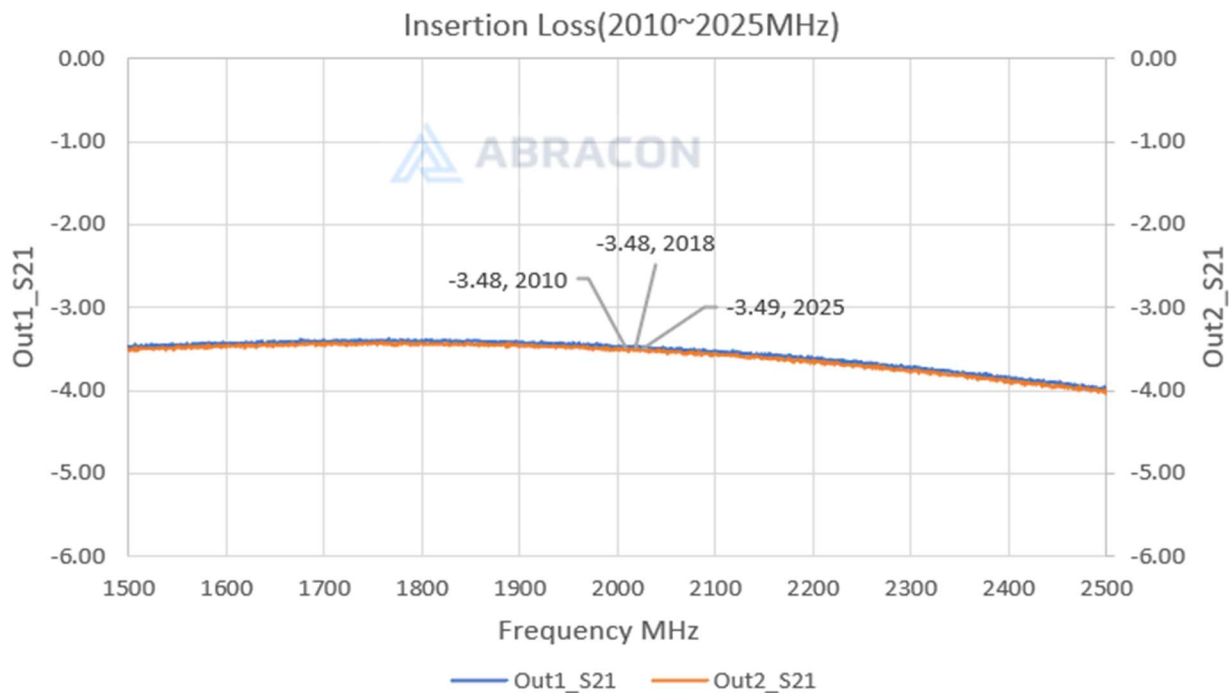
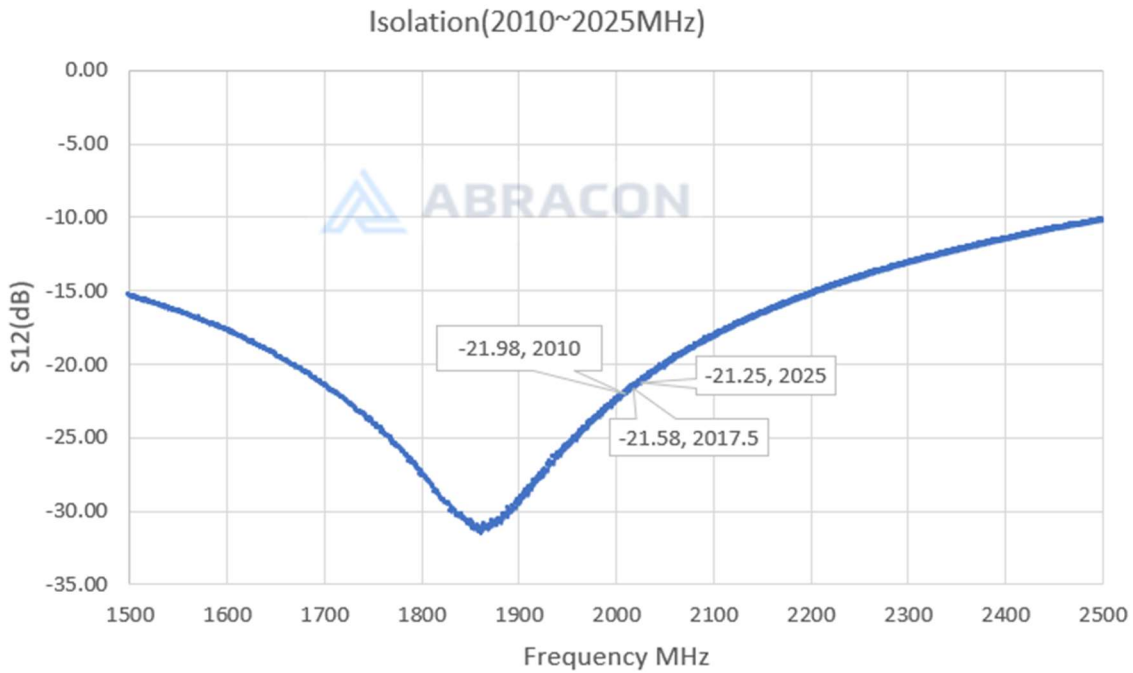


- \* Line width should be designed to match  $50\ \Omega$  characteristic impedance, depending on PCB material and thickness.

# 2017.5 MHz 2-WAY RF POWER DIVIDER

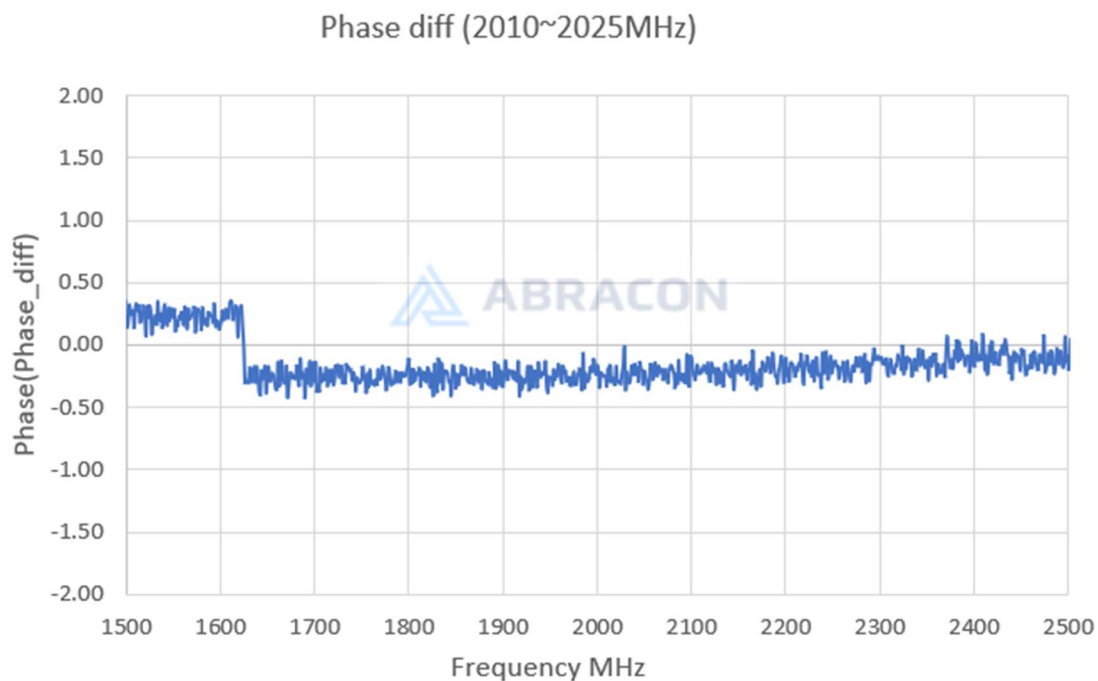
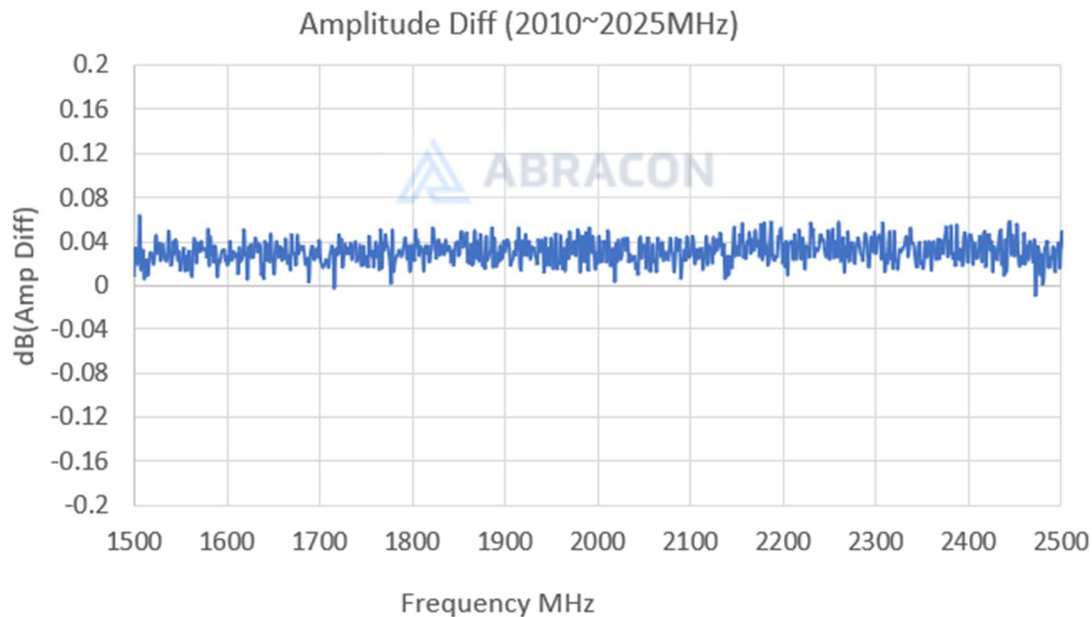
APDD-RF-0001

## Transmission Characteristics



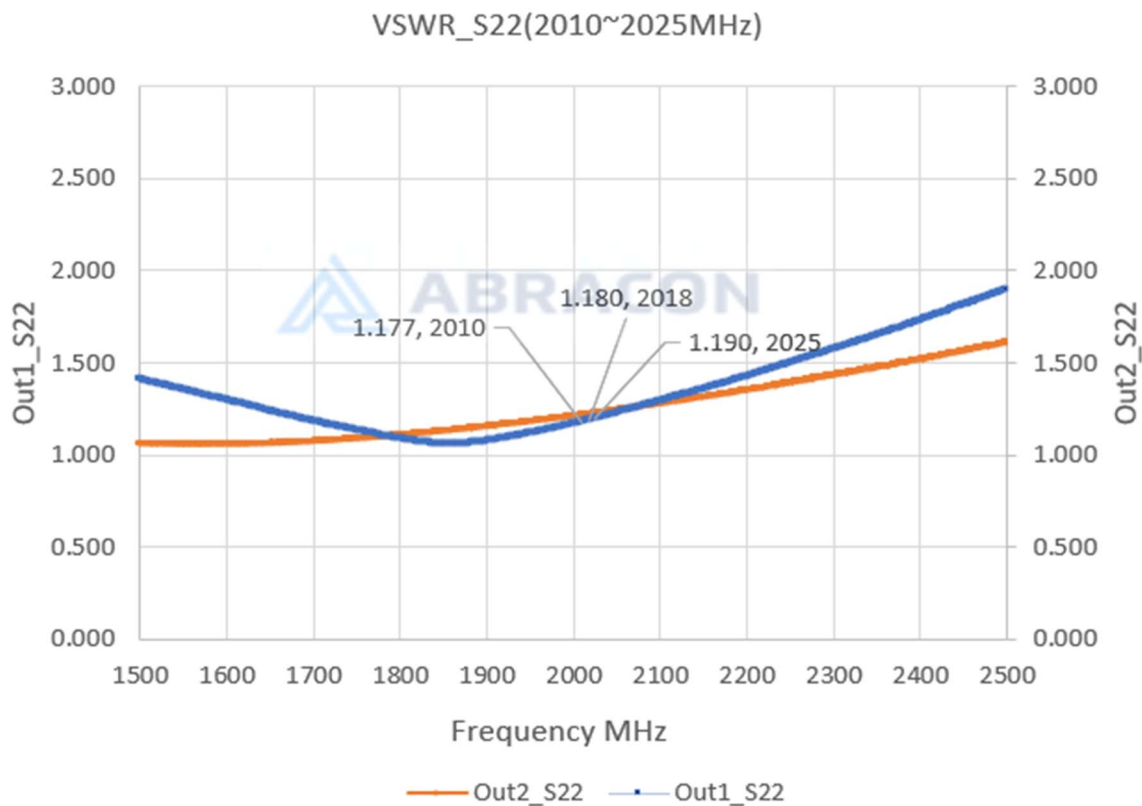
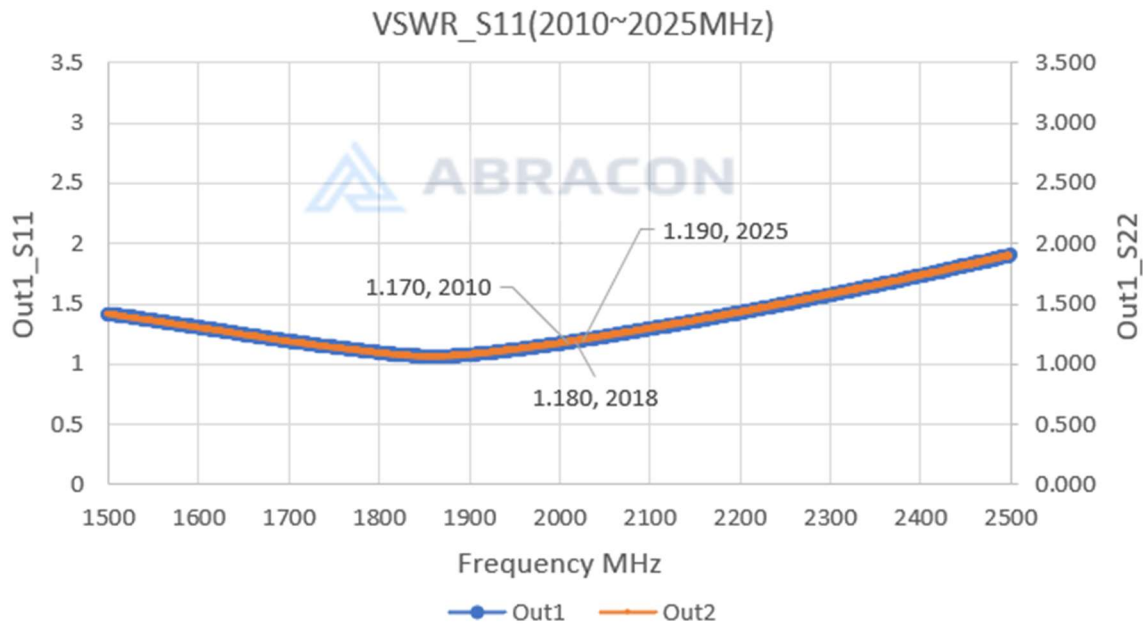
# 2017.5 MHz 2-WAY RF POWER DIVIDER

APDD-RF-0001



# 2017.5 MHz 2-WAY RF POWER DIVIDER

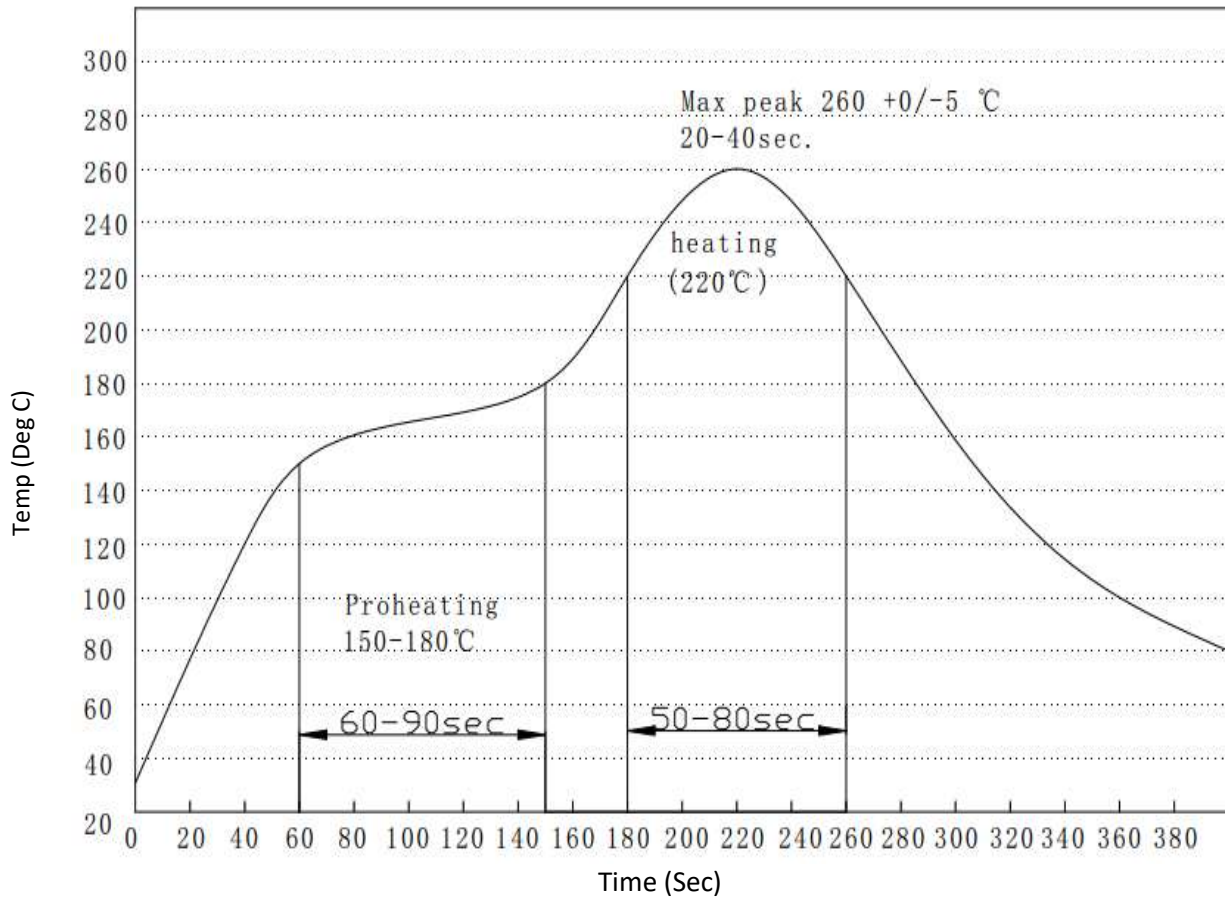
APDD-RF-0001



# 2017.5 MHz 2-WAY RF POWER DIVIDER

APDD-RF-0001

## Recommended Reflow Profile



1. Preheating shall be fixed at 150~180°C for 60~90 seconds.
2. Ascending time to preheating temperature 150°C shall be 30 seconds min.
3. Heating shall be fixed at 220°C for 50~80 seconds and at 260°C +0/-5°C peak (20~40sec).
4. Time: 2 times.

# 2017.5 MHz 2-WAY RF POWER DIVIDER

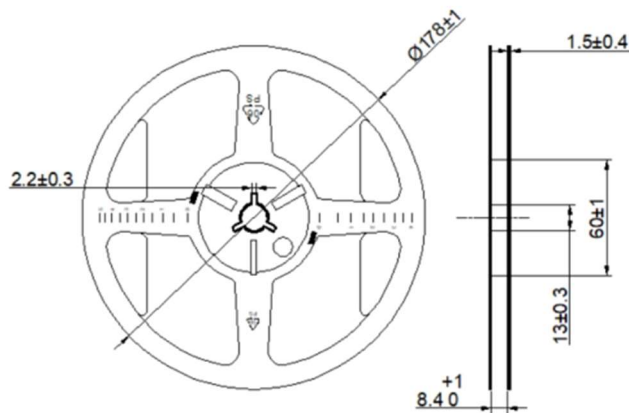
APDD-RF-0001

## Packaging

Packaging Type: Reel and Tape

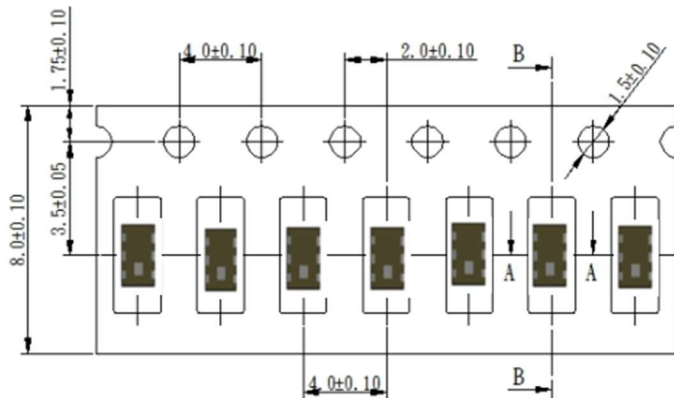
Pieces per Reel: 3000

### Reel Dimension

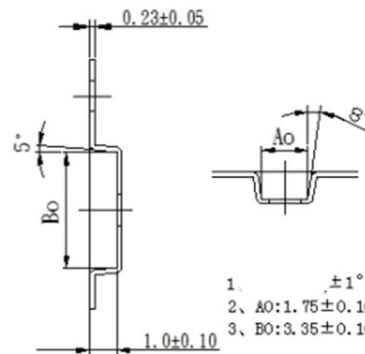


Unit: mm

### Tape Dimension



ESD EMBOSSED Tape (Unit: mm)



1.  $\pm 1^\circ$
2. A0:  $1.75 \pm 0.10$
3. B0:  $3.35 \pm 0.10$

**ATTENTION:** Abracon LLC's products are COTS – Commercial-Off-The-Shelf products; suitable for Commercial, Industrial and, where designated, Automotive Applications. Abracon's products are not specifically designed for Military, Aviation, Aerospace, Life-dependent Medical applications or any application requiring high reliability where component failure could result in loss of life and/or property. For applications requiring high reliability and/or presenting an extreme operating environment, written consent and authorization from Abracon LLC is required. Please contact Abracon LLC for more information.



5101 Hidden Creek Ln Spicewood TX 78669  
Phone: 512-371-6159 | Fax: 512-351-8858  
For terms and conditions of sales, please visit:  
[www.abracon.com](http://www.abracon.com)

REVISED: 10-12-23

ABRACON IS  
ISO9001-2015  
CERTIFIED



# 2017.5 MHz 2-WAY RF POWER DIVIDER

APDD-RF-0001