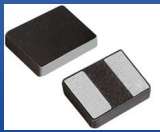


MINI MOLDED POWER INDUCTOR



AOTA-B201610S

Request Samples



Check Inventory



2.0 x 1.6 x 1.0 mm
RoHS/RoHS II Compliant
MSL Level = 1

Features

- Shielded construction for minimized EMI emissions
- Low DCR for better efficiency
- High current handling capability
- Compact size that is suitable for high-density designs
- Fit for high-frequency switching applications due to high SRF

Applications

- Consumer electronics and portable devices
- Power electronics such as DC-DC converters, inverters and voltage regulators
- Industrial applications, robotics, signal conditioning, instrumentation and control systems
- IoT devices, smart home, automation systems and wireless sensing

Electrical Specifications

Part Number	Inductance	Tolerance	Self-Resonant Frequency	DC Resistance		Saturation Current		Temperature Rise Current	
	1MHz/1.0V		Min.	Typ	Max	Typ	Max	Typ	Max
Units	μH	%	MHz	m Ω		A		A	
Symbol	L	M	SRF	DCR		Isat		Irms	
AOTA-B201610SR24MT	0.24	M	120	11	15	7.80	7.00	5.60	5.00
AOTA-B201610SR33MT	0.33	M	110	18	21	7.60	6.80	5.30	4.80
AOTA-B201610SR47MT	0.47	M	72	18	21	6.20	5.60	5.50	4.80
AOTA-B201610SR68MT	0.68	M	68	30	35	5.40	4.80	3.90	3.50
AOTA-B201610S1R0MT	1.00	M	60	34	37	4.50	4.20	4.50	4.20
AOTA-B201610S1R5MT	1.50	M	40	64	74	3.50	3.20	3.20	2.80
AOTA-B201610S2R2MT	2.20	M	30	66	74	2.90	2.60	2.30	2.00
AOTA-B201610S4R7MT	4.70	M	26	213	235	1.90	1.60	1.50	1.30

Test Conditions

Isat: DC current at which the inductance drops 30% from its nominal value.

Irms: DC current that causes the temperature rise (ΔT , approximate 40 °C) from 25°C ambient.

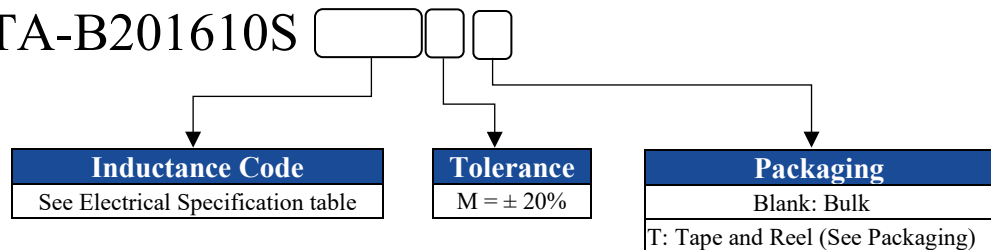
Operating Temperature: -40°C ~ +125°C (including self-temperature rise)

Storage Condition: -40°C ~ +125°C (on board), -10°C ~ +40°C (with packaging) and R.H. 60 max.

AOTA-B201610S Series is **RoHS Compliant and Pb free**.

Part Identification

AOTA-B201610S



5101 Hidden Creek Ln, Spicewood TX 78669
 Phone: 512-371-6159 Fax: 512-351-8858
 For terms and conditions of sales, please visit:
www.abracon.com

REVISION Initial Release :
7/27/2023

ABRACON IS
 ISO9001-2015
 CERTIFIED

MINI MOLDED POWER INDUCTOR



AOTA-B201610S

Request Samples



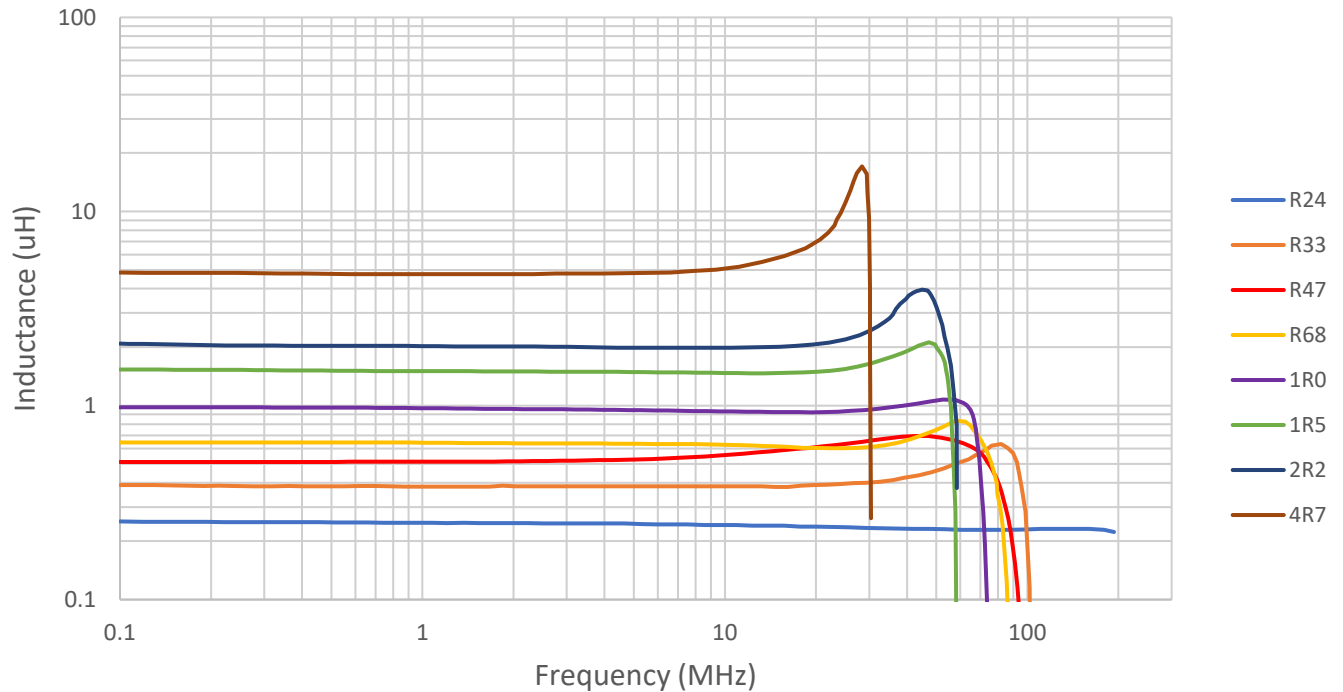
Check Inventory



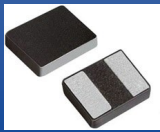
2.0 x 1.6 x 1.0 mm
RoHS/RoHS II Compliant
MSL Level = 1

Frequency Performance Graphs

AOTA-B201610S



MINI MOLDED POWER INDUCTOR



AOTA-B201610S

Request Samples

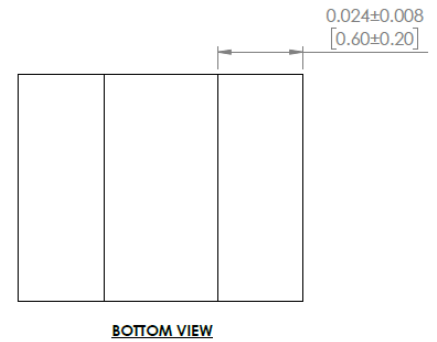
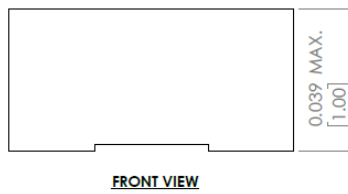
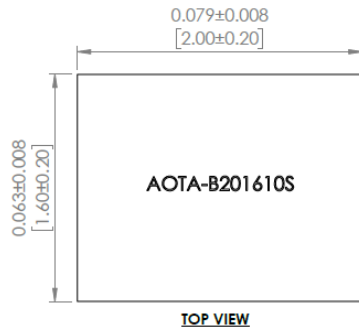


Check Inventory

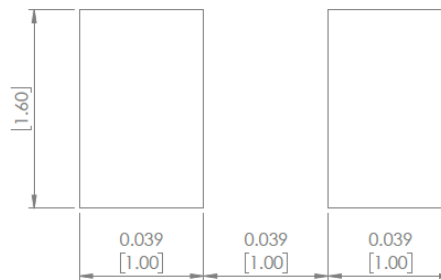


2.0 x 1.6 x 1.0 mm
RoHS/RoHS II Compliant
MSL Level = 1

Mechanical Specifications



Recommended Land Pattern



Dimensions: Inch[mm]

Marking

No Marking



5101 Hidden Creek Ln, Spicewood TX 78669
Phone: 512-371-6159 Fax: 512-351-8858
For terms and conditions of sales, please visit:
www.abracon.com

REVISION Initial Release :
7/27/2023

ABRACON IS
ISO9001-2015
CERTIFIED

MINI MOLDED POWER INDUCTOR



AOTA-B201610S

Request Samples

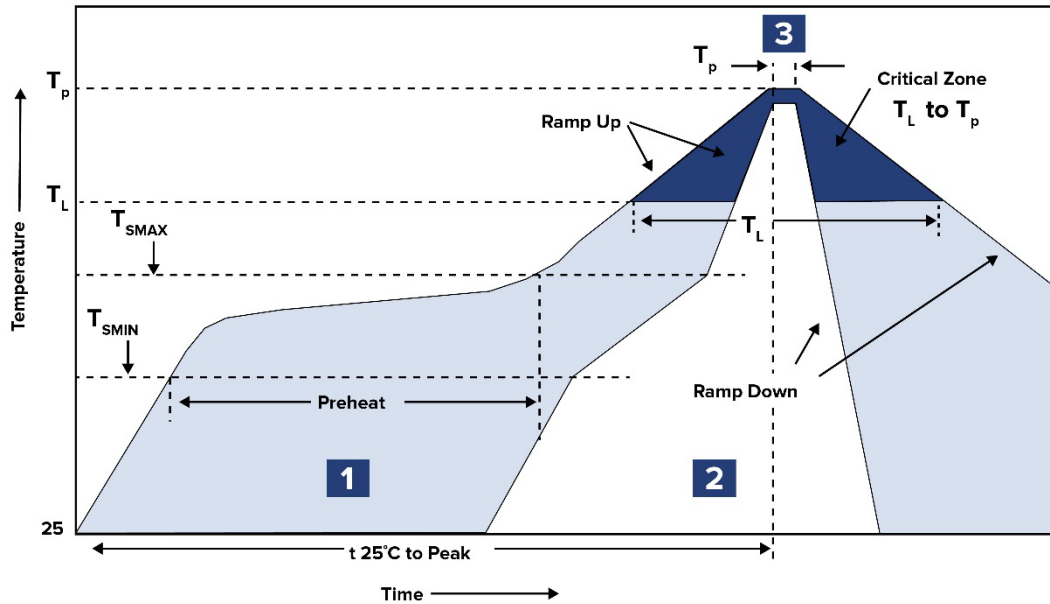


Check Inventory



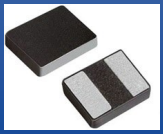
2.0 x 1.6 x 1.0 mm
RoHS/RoHS II Compliant
MSL Level = 1

Reflow Profile



Zone	Description	Temperature	Times
1	Preheat	$T_{SMIN} \sim T_{SMAX}$ 150°C ~ 200°C	60 ~ 120 sec.
2	Reflow	T_L 217°C	60 ~ 90 sec.
3	Peak heat	T_p 260°C Max	10 sec. MAX

MINI MOLDED POWER INDUCTOR



AOTA-B201610S

Request Samples



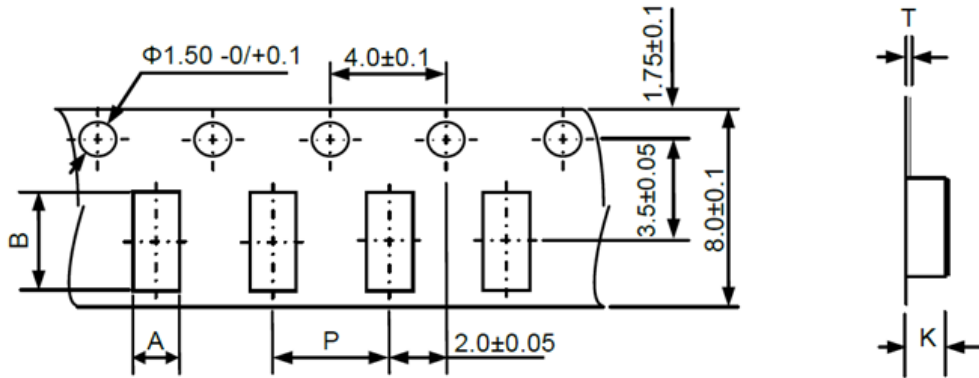
Check Inventory



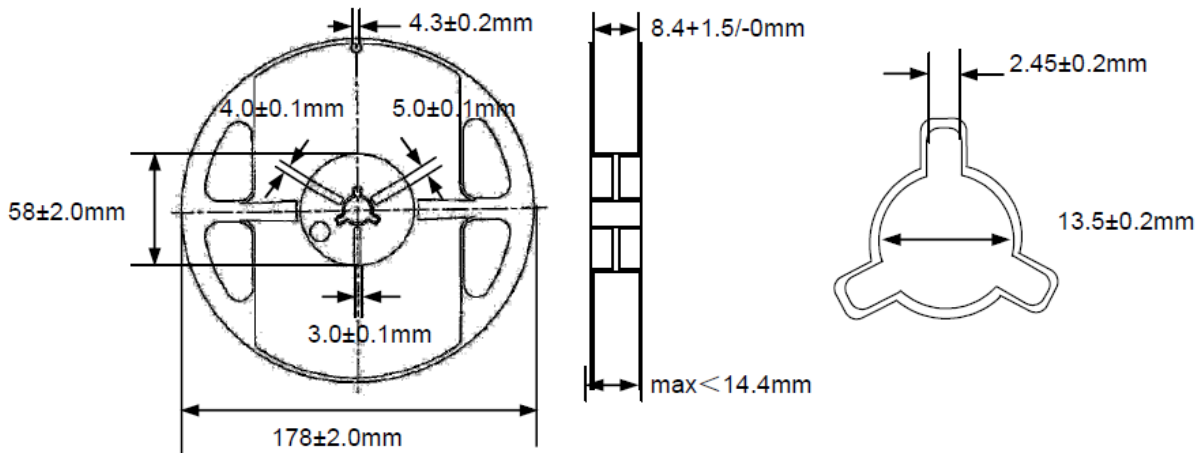
2.0 x 1.6 x 1.0 mm
RoHS/RoHS II Compliant
MSL Level = 1

Packaging

Tape & Reel: 3000 pcs/reel



A	B	P	K	T
1.90±0.1	2.30±0.1	4.0±0.1	1.30 Max	0.3 Max



Dimensions: mm

ATTENTION: Abracon LLC's products are COTS – Commercial-Off-The-Shelf products; suitable for Commercial, Industrial and, where designated, Automotive Applications. Abracon's products are not specifically designed for Military, Aviation, Aerospace, Life-dependent Medical applications or any application requiring high reliability where component failure could result in loss of life and/or property. For applications requiring high reliability and/or presenting an extreme operating environment, written consent and authorization from Abracon LLC is required. Please contact Abracon LLC for more information.



5101 Hidden Creek Ln, Spicewood TX 78669
 Phone: 512-371-6159 Fax: 512-351-8858
 For terms and conditions of sales, please visit:
www.abracon.com

REVISION Initial Release :
7/27/2023

ABRACON IS
 ISO9001-2015
 CERTIFIED