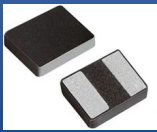


MINI MOLDED POWER INDUCTOR



AOTA-B201206S

Request Samples



Check Inventory



2.0 x 1.2 x 0.6 mm
RoHS/RoHS II Compliant
MSL Level = 1

Features

- Shielded construction for minimized EMI.
- Low DCR (as low as 32 mΩ) for better efficiency
- High current up to 4.8A handling capability
- Compact size that is suitable for high-density designs
- Excellent for high-frequency switching applications due to SRF of 50MHz or above.

Applications

- Consumer electronics and portable devices
- Power electronics such as DC-DC converters, inverters and voltage regulators
- Industrial applications, robotics, signal conditioning, instrumentation and control systems
- IoT devices, smart home, automation systems and wireless sensing

Electrical Specifications

Part Number	Inductance	Tolerance	Self-Resonant Frequency	DC Resistance		Saturation Current		Temperature Rise Current	
	1MHz/1.0V		Min.	Typ	Max	Typ	Max	Typ	Max
Units	μH	%	MHz	mΩ		A		A	
Symbol	L	M	SRF	DCR		Isat		Irms	
AOTA-B201206SR47MT	0.47	20%	96	32	34	4.8	4.5	4.3	4.0
AOTA-B201206S1R0MT	1.0	20%	53	78	86	2.7	2.5	2.7	2.4
AOTA-B201206S2R2MT	2.2	20%	50	173	200	1.8	1.6	1.8	1.5

Test Conditions

Isat: DC current at which the inductance drops 30% from its nominal value.

Irms: DC current that causes the temperature rise (ΔT , approximate 40 °C) from 25°C ambient.

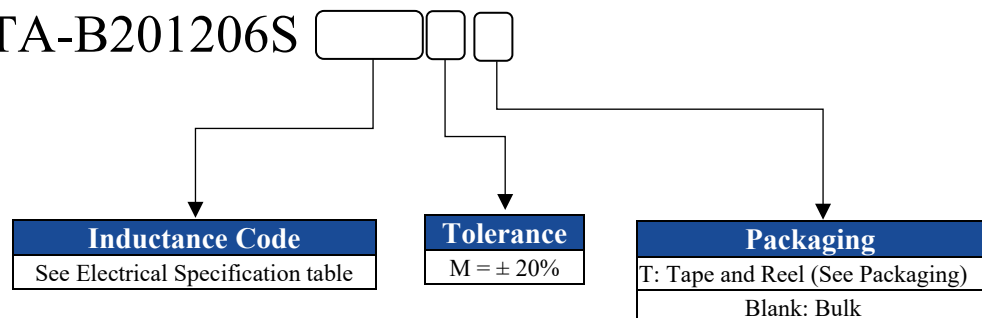
Operating Temperature: -40°C ~ +125°C (including self-temperature rise)

Storage Condition: -40°C ~ +125°C (on board), -10°C ~ +40°C (with packaging) and R.H. 60 max.

AOTA-B201206S Series is RoHS Compliant and Pb free.

Part Identification

AOTA-B201206S

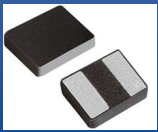


5101 Hidden Creek Ln, Spicewood TX 78669
 Phone: 512-371-6159 Fax: 512-351-8858
 For terms and conditions of sales, please visit:
www.abracon.com

REVISION Initial Release :
11/10/2023

ABRACON IS
 ISO9001-2015
 CERTIFIED

MINI MOLDED POWER INDUCTOR



AOTA-B201206S

Request Samples



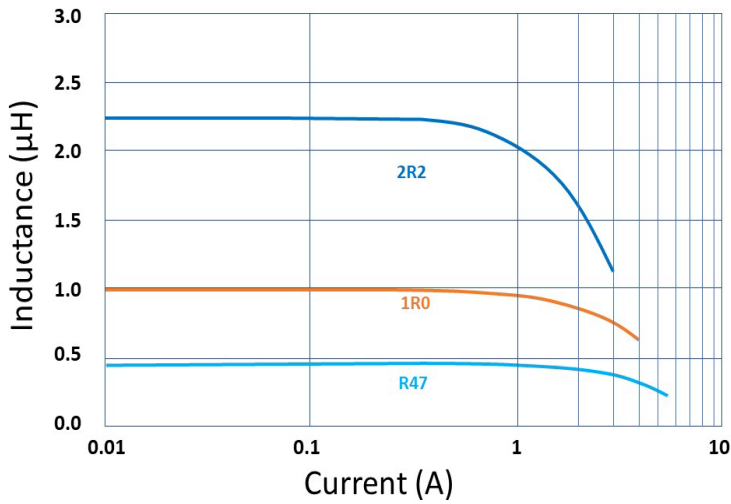
Check Inventory



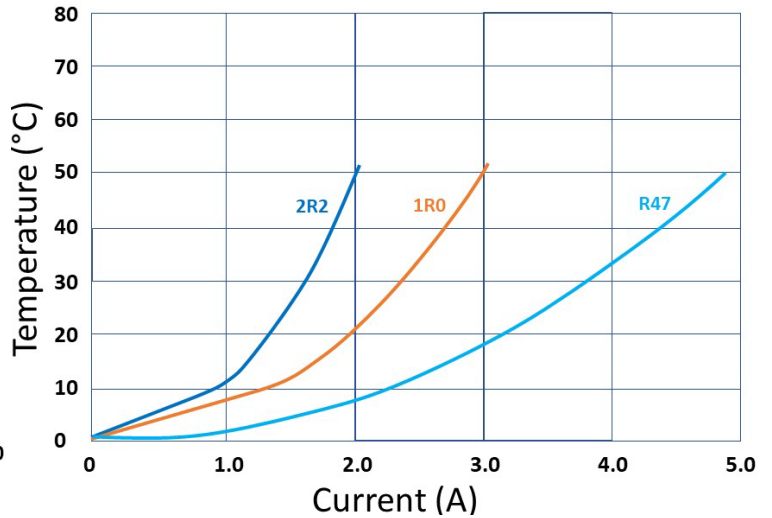
2.0 x 1.2 x 0.6 mm
RoHS/RoHS II Compliant
 MSL Level = 1

Performance Graphs

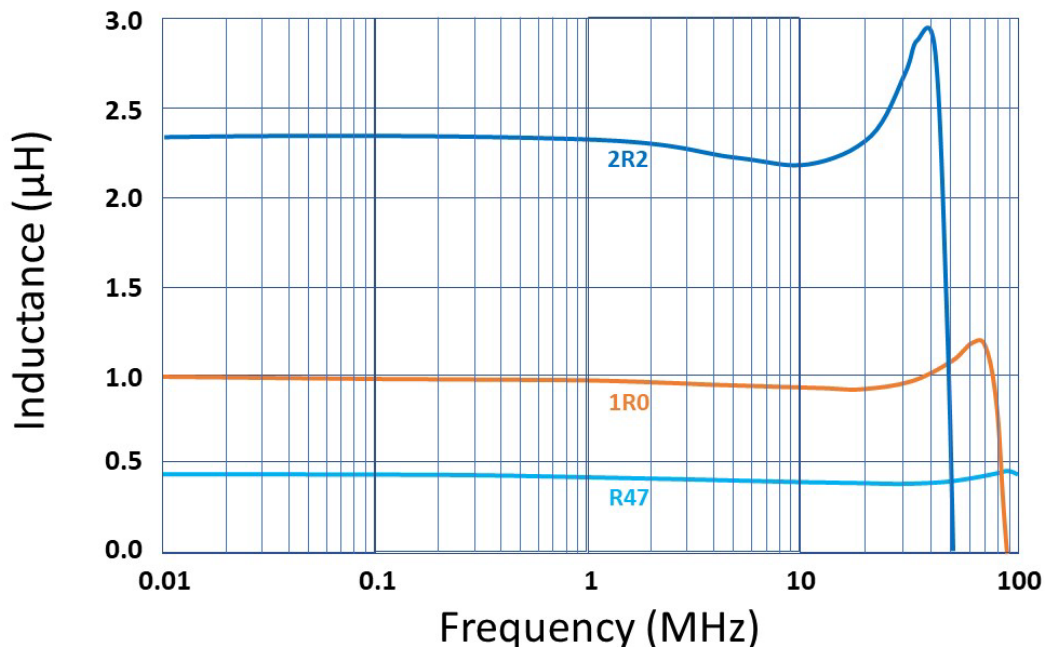
Saturation Current



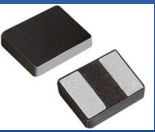
Temperature Rise Current



Inductance Vs. Frequency



MINI MOLDED POWER INDUCTOR



AOTA-B201206S

Request Samples

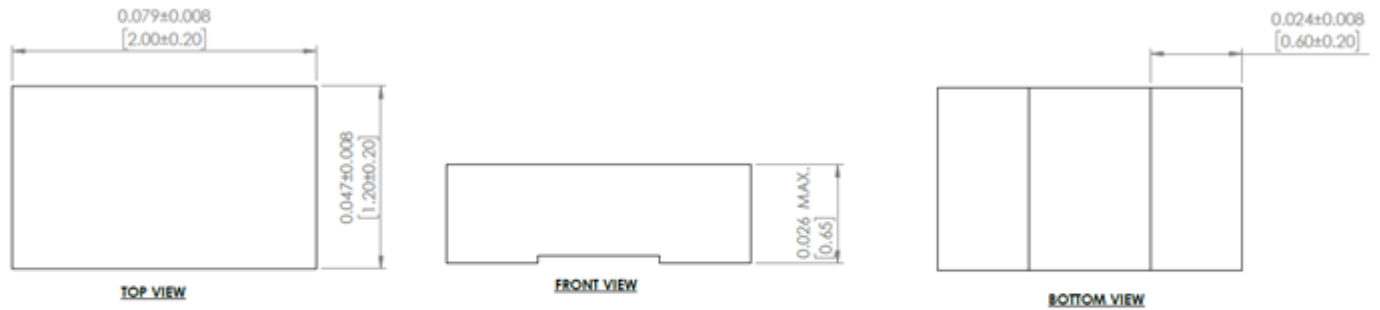


Check Inventory

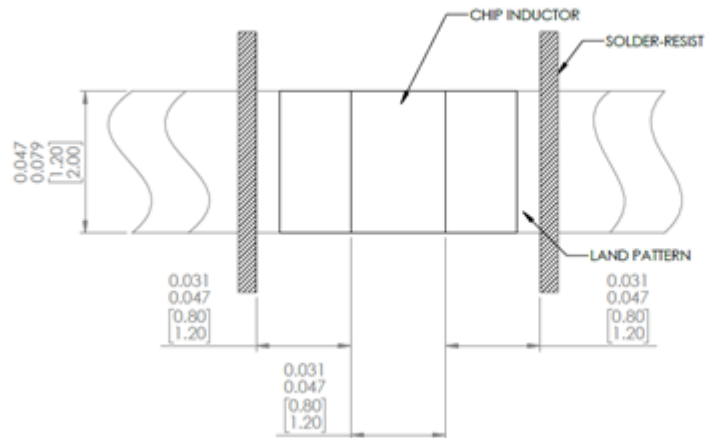


2.0 x 1.2 x 0.6 mm
RoHS/RoHS II Compliant
MSL Level = 1

Mechanical Specifications



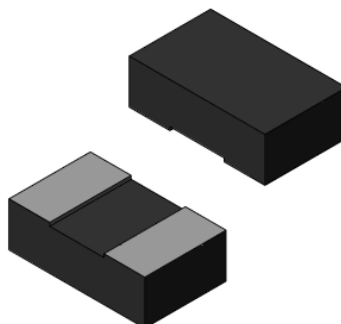
Recommended Land Pattern



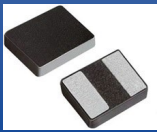
Dimensions: Inch[mm]

Marking

No Marking



MINI MOLDED POWER INDUCTOR



AOTA-B201206S

Request Samples

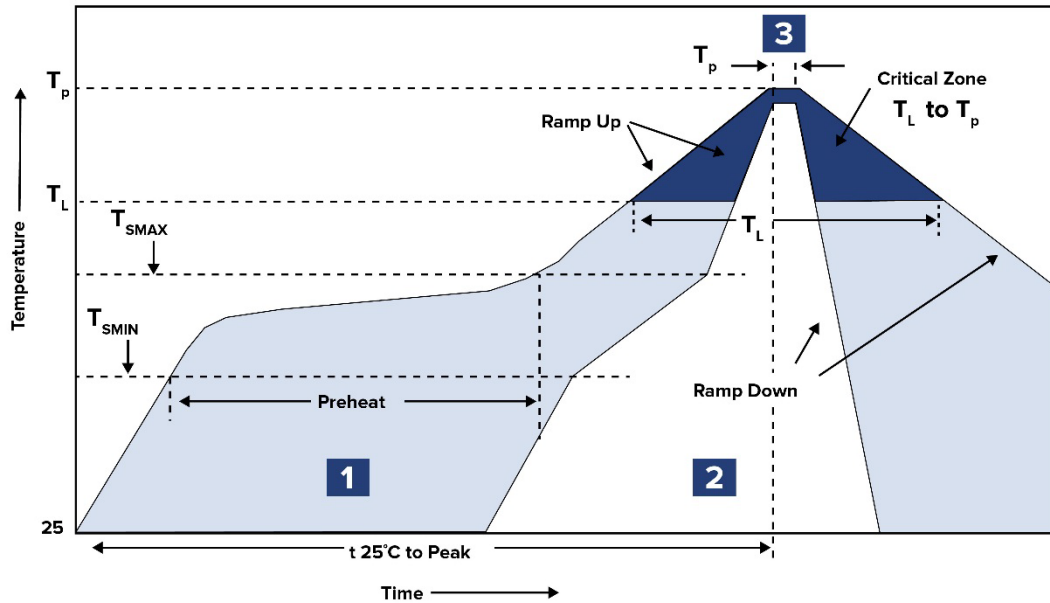


Check Inventory



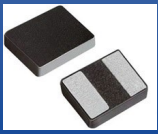
2.0 x 1.2 x 0.6 mm
RoHS/RoHS II Compliant
MSL Level = 1

Reflow Profile



Zone	Description	Temperature	Times
1	Preheat	$T_{SMIN} \sim T_{SMAX}$ 150°C ~ 200°C	60 ~ 120 sec.
2	Reflow	T_L $\geq 217^\circ\text{C}$	60 ~ 90 sec.
3	Peak heat	T_P 260°C Max	10 sec. MAX

MINI MOLDED POWER INDUCTOR



AOTA-B201206S

Request Samples



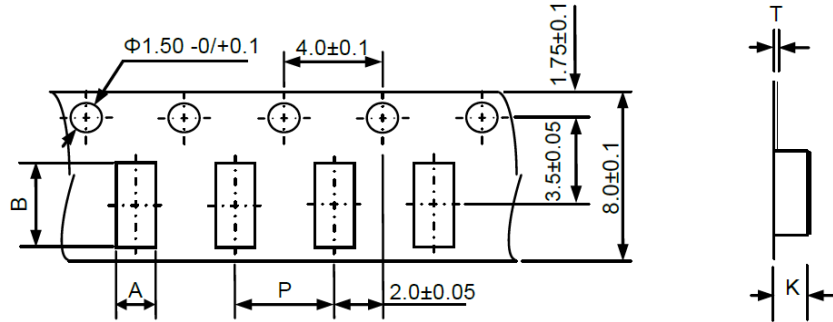
Check Inventory



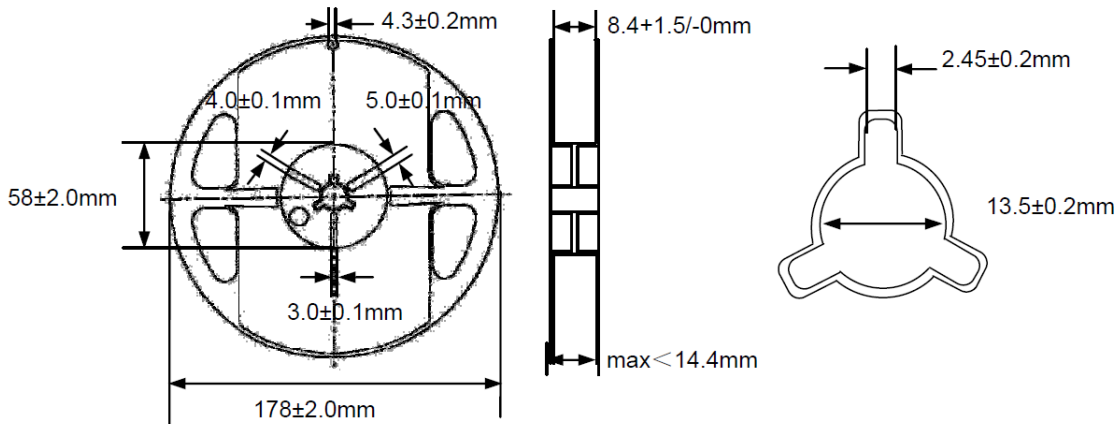
2.0 x 1.2 x 0.6 mm
RoHS/RoHS II Compliant
MSL Level = 1

Packaging

Tape & Reel: 3000 pcs/reel



A	B	P	K	T
1.50±0.1	2.30±0.1	4.0±0.1	1.0 Max	0.3 Max



Dimensions: mm

ATTENTION: Abracon LLC's products are COTS – Commercial-Off-The-Shelf products; suitable for Commercial, Industrial and, where designated, Automotive Applications. Abracon's products are not specifically designed for Military, Aviation, Aerospace, Life-dependent Medical applications or any application requiring high reliability where component failure could result in loss of life and/or property. For applications requiring high reliability and/or presenting an extreme operating environment, written consent and authorization from Abracon LLC is required. Please contact Abracon LLC for more information.



5101 Hidden Creek Ln, Spicewood TX 78669
 Phone: 512-371-6159 Fax: 512-351-8858
 For terms and conditions of sales, please visit:
www.abracon.com

REVISION Initial Release :
11/10/2023

ABRACON IS
 ISO9001-2015
 CERTIFIED