

High Q Ceramic Wirewound RF Inductor (AEC-Q200)



AISC-Q0805HQ Series

Request Samples



Check Inventory



2.29 x 1.73 x 1.52 mm
RoHS/RoHS II Compliant
MSL Level = 1

Features

- PPAP ready and supported
- TS16949 certified production lines
- AEC-Q200 (grade 1) qualified
- Ceramic base with high SRF
- Excellent DCR and current carrying characteristics.
- Ultra-compact inductors
- Tight tolerance down to $\pm 2\%$

Applications

- Automotive applications
- Bluetooth, W-LAN, Broadband Network
- Impedance matching networks
- Filtering for high frequency communication circuits
- Video cameras, displays, and other electronic devices.

Electrical Specifications

Part Number AISC-Q0805HQ- Inductance Code	Inductance	Tolerance	Min. Quality Factor	L/Q Test Freq.	Max. DC Resistance	Max. Rated Current	Min. Self- resonant Frequency
Units	nH	-	-	MHz	Ω	mA	GHz
Symbol	L	-	Q	Freq.	DCR	Ir	S.R.F
AISC-Q0805HQ-2N5	2.5	J, K	80	250/1500	0.020	1600	6.00
AISC-Q0805HQ-5N6	5.6	J, K	98	250/1500	0.035	1600	6.00
AISC-Q0805HQ-6N2	6.2	J, K	88	250/1000	0.035	1600	4.75
AISC-Q0805HQ-6N8	6.8	J, K	80	250/1000	0.035	1600	4.40
AISC-Q0805HQ-8N2	8.2	J, K	75	250/1000	0.075	1000	3.00
AISC-Q0805HQ-10N	10	J, K	80	250/1000	0.060	1600	3.00
AISC-Q0805HQ-12N	12	J, K	80	250/1000	0.045	1600	3.00
AISC-Q0805HQ-15N	15	G, J, K	80	250/1000	0.100	1200	2.80
AISC-Q0805HQ-16N	16	G, J, K	72	250/500	0.060	1500	2.95
AISC-Q0805HQ-18N	18	G, J, K	75	250/500	0.060	1400	2.55
AISC-Q0805HQ-20N	20	G, J, K	70	250/500	0.055	1400	2.05
AISC-Q0805HQ-22N	22	G, J, K	80	250/500	0.100	1200	2.00
AISC-Q0805HQ-27N	27	G, J, K	75	250/500	0.070	1300	2.00
AISC-Q0805HQ-30N	30	G, J, K	65	250/500	0.095	1200	1.95
AISC-Q0805HQ-39N	39	G, J, K	65	250/500	0.110	1100	1.60
AISC-Q0805HQ-48N	48	G, J, K	65	200/500	0.095	1200	1.40
AISC-Q0805HQ-51N	51	G, J, K	65	200/500	0.120	1000	1.40

Test Conditions:

Inductance, Q, SRF: HP4286/E4982A

DCR: Micro-Ohm meter (Gom-801G)/E4982A

IDC: Applied the current to coils, the temperature of coil increases $\Delta T 15^{\circ}\text{C}$ ($T_a = 25^{\circ}\text{C}$).

Operating Temperature: -40°C to $+125^{\circ}\text{C}$

Components Storage Temperature: -40°C to $+125^{\circ}\text{C}$

Tape and Reel packaging Temperature: $15\sim 28^{\circ}\text{C}$; $< 80\%$ RH

AISC-Q0805HQ is AEC-Q200 Qualified

AISC-Q0805HQ Series is RoHS Compliant and Pb free.



5101 Hidden Creek Ln, Spicewood TX 78669

Phone: 512-371-6159 Fax: 512-351-8858

For terms and conditions of sales, please visit: www.abracon.com

REVISION Initial Release :

11/21/2023

ABRACON IS
ISO9001-2015
CERTIFIED

High Q Ceramic Wirewound RF Inductor (AEC-Q200)



AISC-Q0805HQ Series

Request Samples

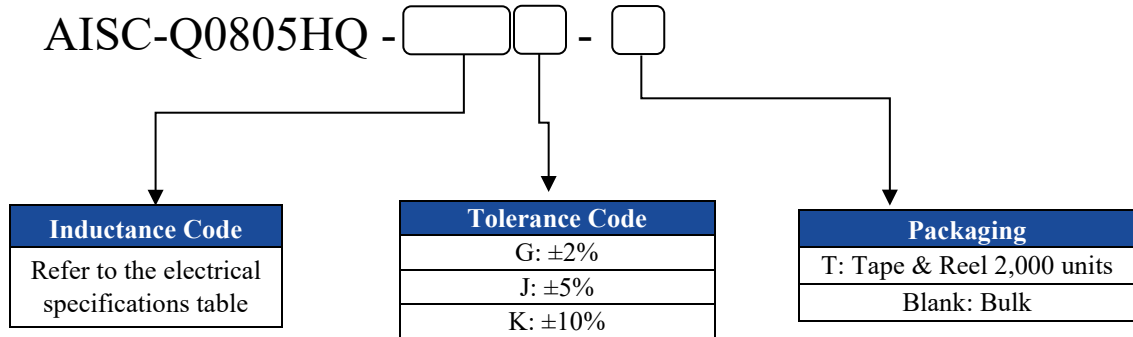


Check Inventory

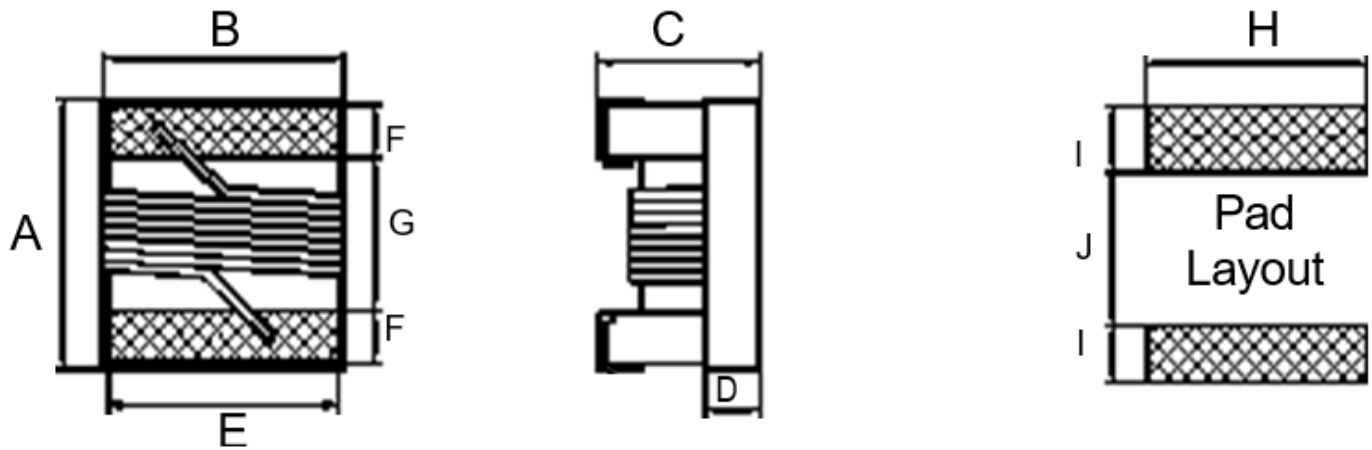


2.29 x 1.73 x 1.52 mm
 RoHS/RoHS II Compliant
 MSL Level = 1

Part Number Identification



Mechanical Dimensions



A	B	C	D	E	F	G	H	I	J
2.29 max	1.73 max	1.52 max	0.51 ref	1.27	0.44	1.02	1.78	1.02	0.76

Dimensions: mm

High Q Ceramic Wirewound RF Inductor (AEC-Q200)



AISC-Q0805HQ Series

Request Samples

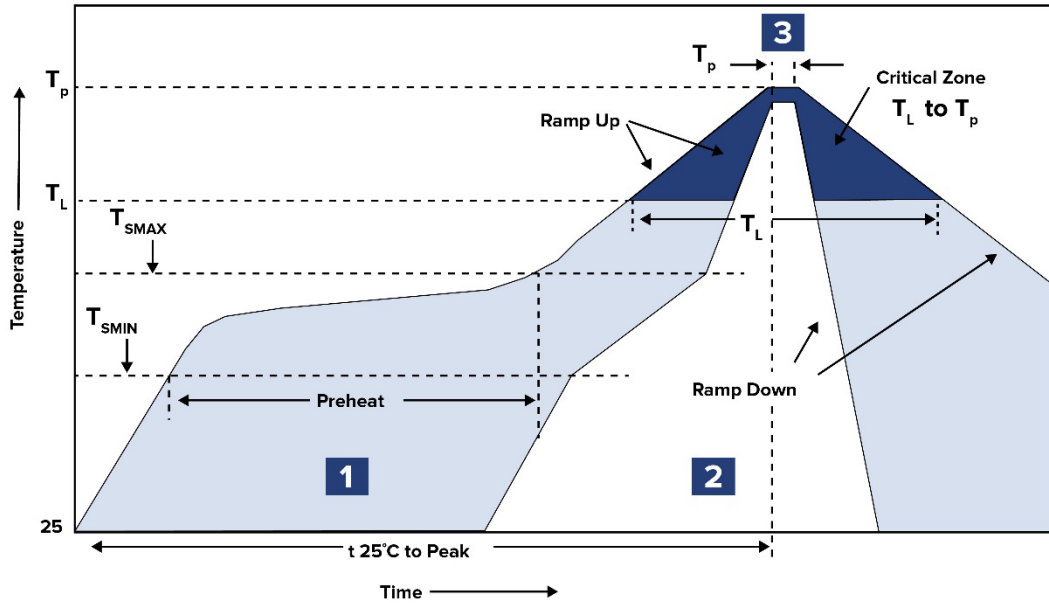


Check Inventory



2.29 x 1.73 x 1.52 mm
RoHS/RoHS II Compliant
MSL Level = 1

Reflow Profile



Zone	Description	Temperature	Times
1	Preheat	$T_{SMIN} \sim T_{SMAX}$ 150°C ~ 180°C	90 ~ 120 sec.
2	Reflow	T_L 220°C	40 ~ 60 sec.
3	Peak heat	T_P 260°C±5°C	10 sec. MAX

High Q Ceramic Wirewound RF Inductor (AEC-Q200)



AISC-Q0805HQ Series

Request Samples



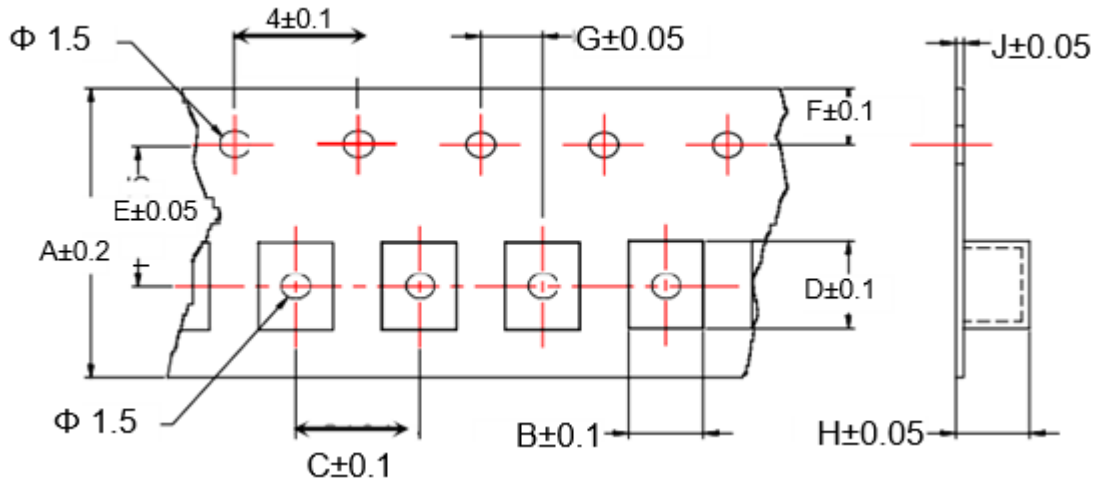
Check Inventory



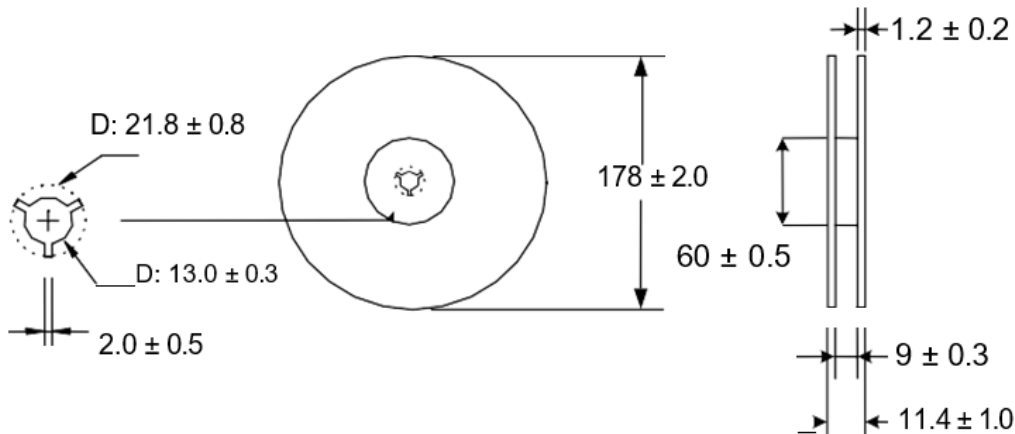
2.29 x 1.73 x 1.52 mm
 RoHS/RoHS II Compliant
 MSL Level = 1

Packaging

T: Tape & Reel: 2,000 pcs/reel



A	B	C	D	E	F	G	H	J
8.0	1.85	4.0	2.30	3.5	1.75	2.0	1.45	0.23



Dimensions: mm

ATTENTION: Abracon LLC's products are COTS – Commercial-Off-The-Shelf products; suitable for Commercial, Industrial and, where designated, Automotive Applications. Abracon's products are not specifically designed for Military, Aviation, Aerospace, Life-dependent Medical applications or any application requiring high reliability where component failure could result in loss of life and/or property. For applications requiring high reliability and/or presenting an extreme operating environment, written consent and authorization from Abracon LLC is required. Please contact Abracon LLC for more information.



5101 Hidden Creek Ln, Spicewood TX 78669
 Phone: 512-371-6159 Fax: 512-351-8858
 For terms and conditions of sales, please visit: www.abracon.com

REVISION Initial Release :
 11/21/2023

ABRACON IS
 ISO9001-2015
 CERTIFIED