

5.5V Coin Supercapacitor Horizontal, Center Pins



ADCC-S05R5S

Request Samples



Check Inventory



Various Sizes

RoHS/RoHS II Compliant

MSL Level = 1

Features

- Coin Type Supercapacitor
- Horizontal, Center pins
- High power density
- Minimal discharge rate, 72 hours @ discharge < 20%
- Excellent cycle life
- Green, meets RoHS requirements

Applications

- Power Assist Circuits
- Power Backup
- Micro Energy Storage
- IoT Energy Harvesting
- SSD applications
- DDR power back up
- RTC System power transfer to battery backup

Electrical Specifications

Part Number	Nominal Voltage (U _R)	Capacitance	Tol.	ESR (Max)	Nominal Current	Peak Current (Max)	Leakage Current	Stored Energy (Max)	Gravimetric Energy Density	Volumetric Energy Density
ADCC-S05R5S	DC(V)	Farads	±%	Ω	A	A	uA	mWh	Wh/kg	Wh/L
ADCC-S05R5SA473W	5.5V	0.047	-20%/ 100%	120	0.010	0.014	3	0.197	0.065	0.229
ADCC-S05R5SA104X	5.5V	0.1	-20%/ 150%	50	0.022	0.032	3	0.420	0.139	0.487
ADCC-S05R5SA224W	5.5V	0.22	-20%/ 100%	40	0.033	0.043	4	0.924	0.305	1.071
ADCC-S05R5SA334Z	5.5V	0.33	-20%/ 80%	40	0.037	0.044	5	1.386	0.458	1.607
ADCC-S05R5SA474Q	5.5V	0.47	-10%/ 30%	40	0.039	0.044	6	1.975	0.652	2.289
ADCC-S05R5SA105R	5.5V	1	0/+30%	15	0.100	0.117	8	4.201	0.505	1.720
ADCC-S05R5SA155R	5.5V	1.5	0/+30%	10	0.150	0.176	12	6.302	0.757	2.580

Operating Temperature: -25°C to +70°C

Storage Temperature: -30°C to +50°C, RH < 60%, Max. Humidity < 85% RH

Test Conditions:

All parameters are measured according to the IEC 62391-1 standard.

Ambient Temperature: +25°C

Capacitance: measured with $I(mA) = 4(C * U_R)$.

ESR: Measured at 1KHz.

Nominal Current: 5 Seconds to discharge from U_R to 1/2U_R.

Peak Current (Max.): 1 second to discharge to U_R to 1/2U_R.

Leakage Current: Measured after 72h at U_R.

Life Cycles: 500,000 cycles with less than 30% change in capacitance.



5101 Hidden Creek Ln, Spicewood TX 78669
Phone: 512-371-6159 Fax: 512-351-8858
For terms and conditions of sales, please visit:
www.abracon.com

REVISION Initial Release :
8/18/2023

ABRACON IS
ISO9001-2015
CERTIFIED

5.5V Coin Supercapacitor Horizontal, Center Pins



ADCC-S05R5S

Request Samples



Check Inventory



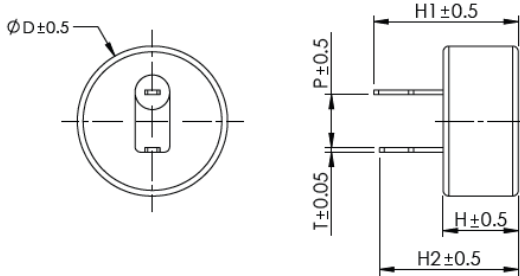
Various Sizes

RoHS/RoHS II Compliant

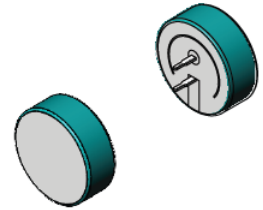
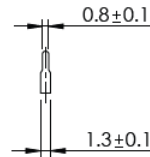
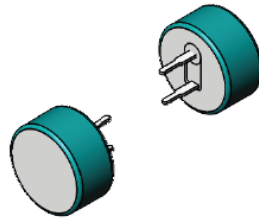
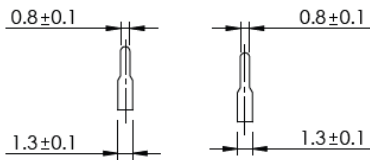
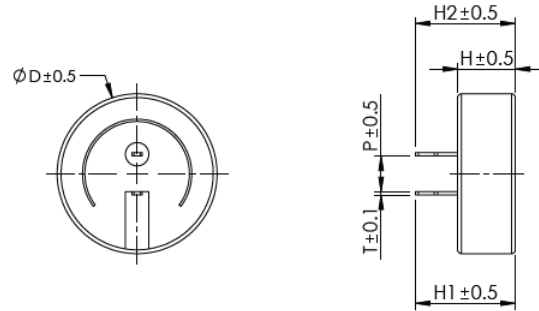
MSL Level = 1

Mechanical Specifications

13 X 6.5MM



20.5 X 7.4MM



ABRACON PART#	SIZE D x H	PIN SPACING P	ANODE (+) LENGTH H2	CATHODE (-) LENGTH H1	LEAD THICKNESS T
ADCC-S05R5SA473W	13X6.5	5	12	12.5	0.4
ADCC-S05R5SA104X	13X6.5	5	12	12.5	0.4
ADCC-S05R5SA224W	13X6.5	5	12	12.5	0.4
ADCC-S05R5SA334Z	13X6.5	5	12	12.5	0.4
ADCC-S05R5SA474Q	13X6.5	5	12	12.5	0.4
ADCC-S05R5SA105R	20.5X7.4	5	12.8	12.8	0.45
ADCC-S05R5SA155R	20.5X7.4	5	12.8	12.8	0.45

Dimensions: mm



5101 Hidden Creek Ln, Spicewood TX 78669
 Phone: 512-371-6159 Fax: 512-351-8858
 For terms and conditions of sales, please visit:
www.abracon.com

REVISION Initial Release :
 8/18/2023

ABRACON IS
 ISO9001-2015
 CERTIFIED

5.5V Coin Supercapacitor Horizontal, Center Pins



ADCC-S05R5S

Request Samples



Check Inventory

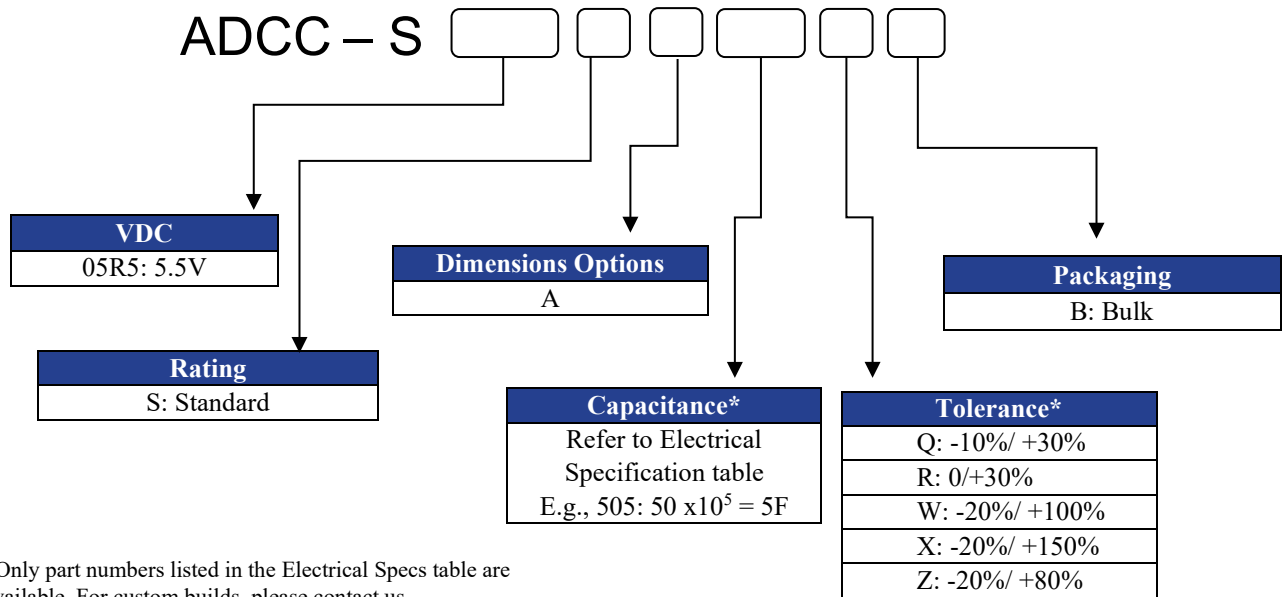


Various Sizes

RoHS/RoHS II Compliant

MSL Level = 1

Part Number Identification



*Only part numbers listed in the Electrical Specs table are available. For custom builds, please contact us.

Part Marking



Example of the Markings of a 5.5V 0.1F supercapacitor

Capacitance (F)

Rated Voltage (V)

Polarity: Negative bar on the sleeve to indicate the cathode. (The bar might look slightly different for 1.0F and 1.5F parts)



5101 Hidden Creek Ln, Spicewood TX 78669
 Phone: 512-371-6159 Fax: 512-351-8858
 For terms and conditions of sales, please visit:
www.abracon.com

REVISION Initial Release :
 8/18/2023

ABRACON IS
 ISO9001-2015
 CERTIFIED

5.5V Coin Supercapacitor Horizontal, Center Pins



ADCC-S05R5S

Request Samples



Check Inventory

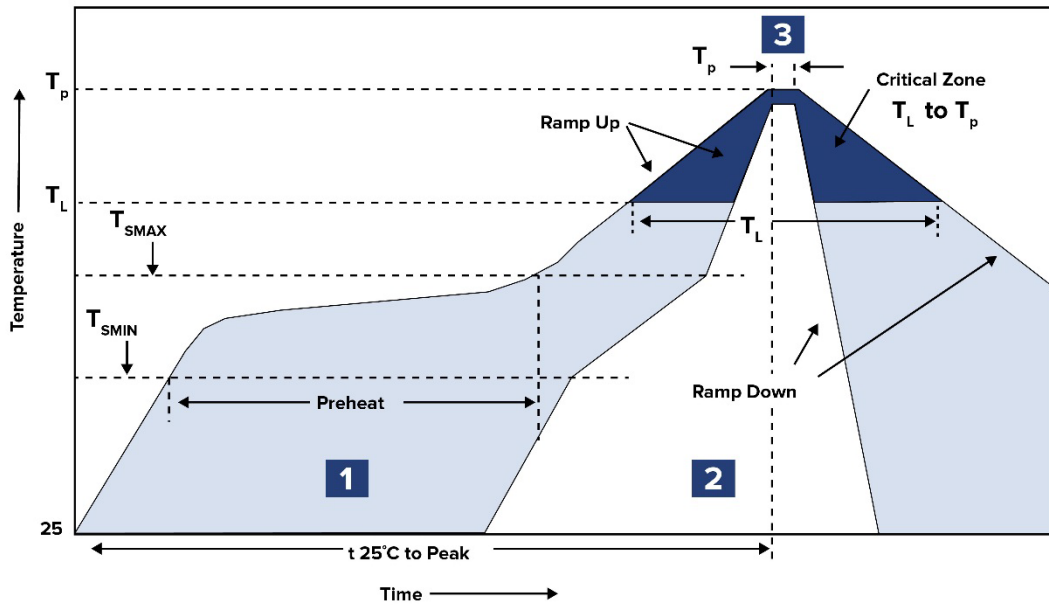


Various Sizes

RoHS/RoHS II Compliant

MSL Level = 1

Reflow Profile



Zone	Description	Temperature	Times
1	Preheat	$T_{SMIN} \sim T_{SMAX}$ 100°C ~ 150°C	60 ~ 120 sec.
2	Reflow	T_L 200°C	30 ~ 40 sec.
3	Peak heat	T_p 240°C±5°C	5 sec. MAX

5.5V Coin Supercapacitor Horizontal, Center Pins



ADCC-S05R5S

Request Samples



Check Inventory



Various Sizes

RoHS/RoHS II Compliant

MSL Level = 1

Packaging

Part Number	Quantity (PCS/Box)
ADCC-S05R5SA473W	748
ADCC-S05R5SA104X	748
ADCC-S05R5SA224W	748
ADCC-S05R5SA334Z	748
ADCC-S05R5SA474Q	748
ADCC-S05R5SA105R	352
ADCC-S05R5SA155R	352

ATTENTION: Abracon LLC's products are COTS – Commercial-Off-The-Shelf products; suitable for Commercial, Industrial and, where designated, Automotive Applications. Abracon's products are not specifically designed for Military, Aviation, Aerospace, Life-dependent Medical applications or any application requiring high reliability where component failure could result in loss of life and/or property. For applications requiring high reliability and/or presenting an extreme operating environment, written consent and authorization from Abracon LLC is required. Please contact Abracon LLC for more information.



5101 Hidden Creek Ln, Spicewood TX 78669
Phone: 512-371-6159 Fax: 512-351-8858
For terms and conditions of sales, please visit:
www.abracon.com

REVISION Initial Release :
8/18/2023

ABRACON IS
ISO9001-2015
CERTIFIED