

# Ultra Miniature Ceramic SMD Crystal

**ABM8-272-T3**

Request Samples



Check Inventory



**3.2 x 2.5 x 0.8mm**  
**RoHS/RoHS II Compliant**  
MSL Level = 1



## Features

- 3.2 x 2.5 x 0.8 mm miniature package
- Suitable for RoHS compliant reflow
- Wide Operating Temperature (-40°C to +85°C)

## Applications

- Crystal approved for use with Raspberry Pi RP2040 microcontroller

## Key Electrical Specifications

Parameters	Minimum	Typical	Maximum	Units	Notes
Center Frequency	12.000			MHz	
Operation Mode	Fundamental-AT				
Operating Temperature	-40		+85	°C	
Storage Temperature	-55		+125	°C	
Frequency Tolerance at +25 °C	-30		+30	ppm	
Frequency Stability over the Operating Temperature ( ref. to +25°C)	-30		+30	ppm	
Equivalent series resistance (R1)			50	Ω	
Shunt Capacitance (C0)			3.0	pF	
Load capacitance (CL)	10			pF	
Drive Level		10	200	μW	
Aging	-5		+5	ppm	@25±3°C, 1st year
Insulation Resistance	500			MΩ	@100Vdc±15V

**ABM8-272-T3 is RoHS/RoHS II Compliant and Pb free**

**Moisture Sensitivity Level (MSL) – This product is Hermetically Sealed and not Moisture Sensitive - MSL = 1**



5101 Hidden Creek Ln Spicewood TX 78669  
Phone: 512-371-6159 | Fax: 512-351-8858  
For terms and conditions of sales, please visit:  
[www.abracon.com](http://www.abracon.com)

**REVISED: 01-18-24**

ABRACON IS  
ISO9001-2015  
CERTIFIED

# Ultra Miniature Ceramic SMD Crystal

ABM8-272-T3

Request Samples



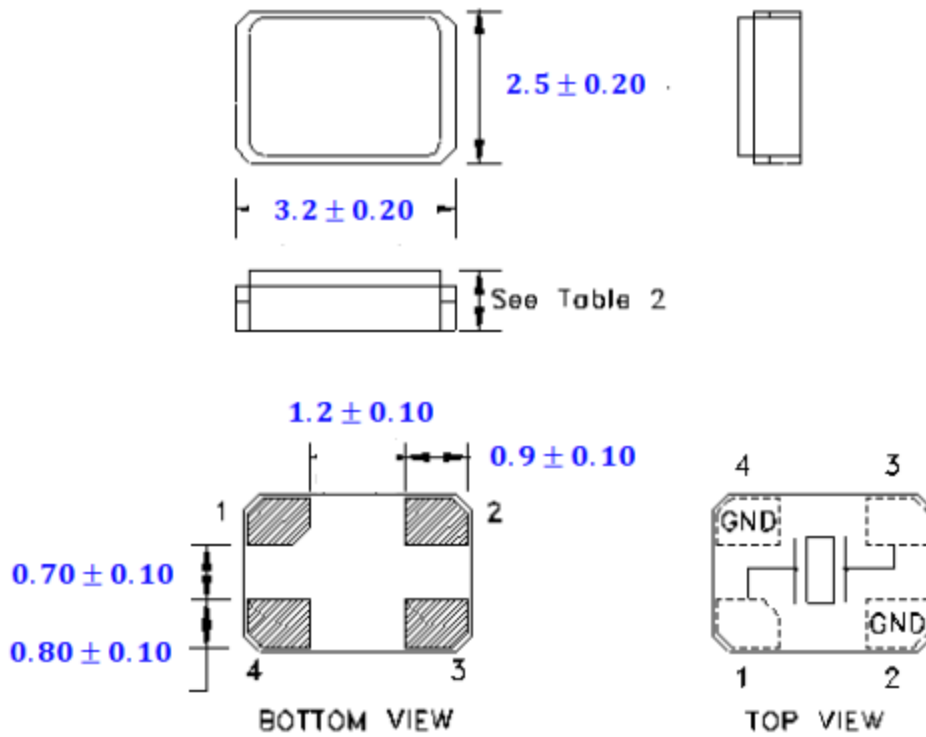
Check Inventory



3.2 x 2.5 x 0.8mm  
RoHS/RoHS II Compliant  
MSL Level = 1



## Mechanical Dimensions



Note: Due to material availability, the chamfer could be located on pin #1, 3, or 4. Be advised that the chamfer location has no impact on the electrical performance of the device.

Dimensions: mm

# Ultra Miniature Ceramic SMD Crystal

ABM8-272-T3

Request Samples



Check Inventory

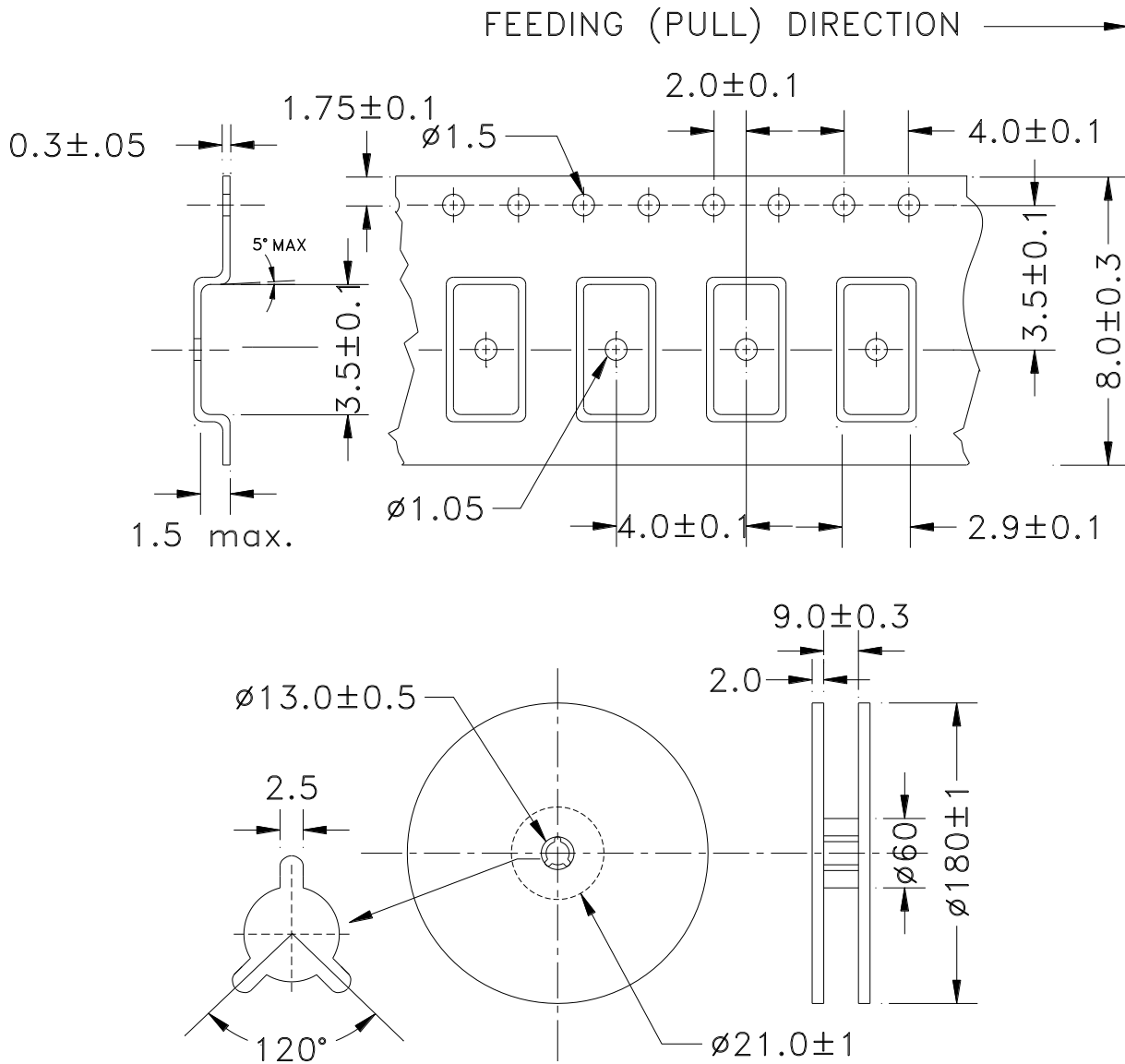


3.2 x 2.5 x 0.8mm  
RoHS/RoHS II Compliant  
MSL Level = 1



## Packaging

Tape and Reel (3,000pcs/reel)



Dimensions: mm



5101 Hidden Creek Ln Spicewood TX 78669  
Phone: 512-371-6159 | Fax: 512-351-8858  
For terms and conditions of sales, please visit:  
[www.abracon.com](http://www.abracon.com)

REVISED: 01-18-24

ABRACON IS  
ISO9001-2015  
CERTIFIED