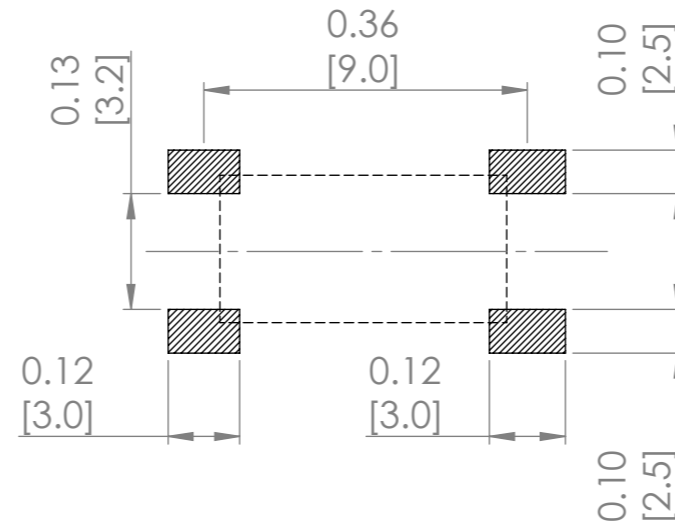
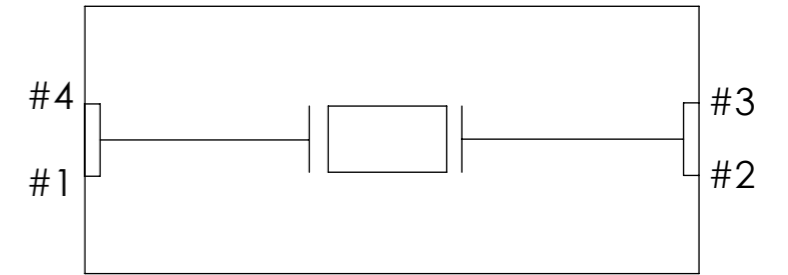


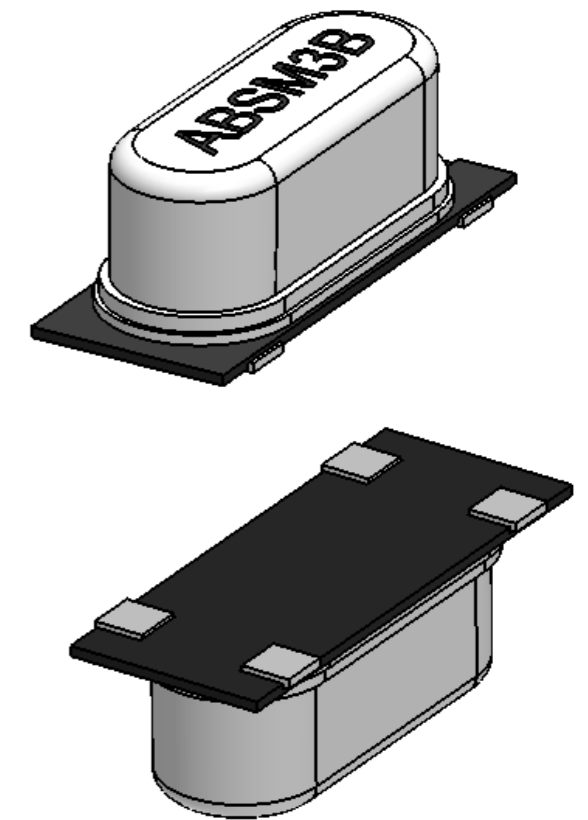
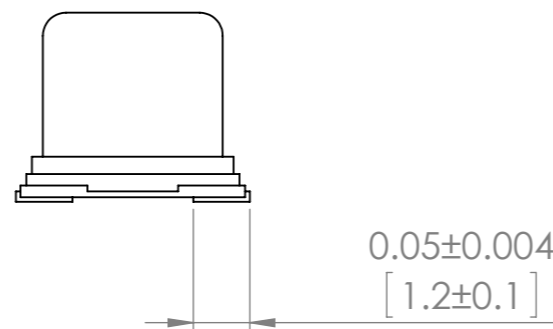
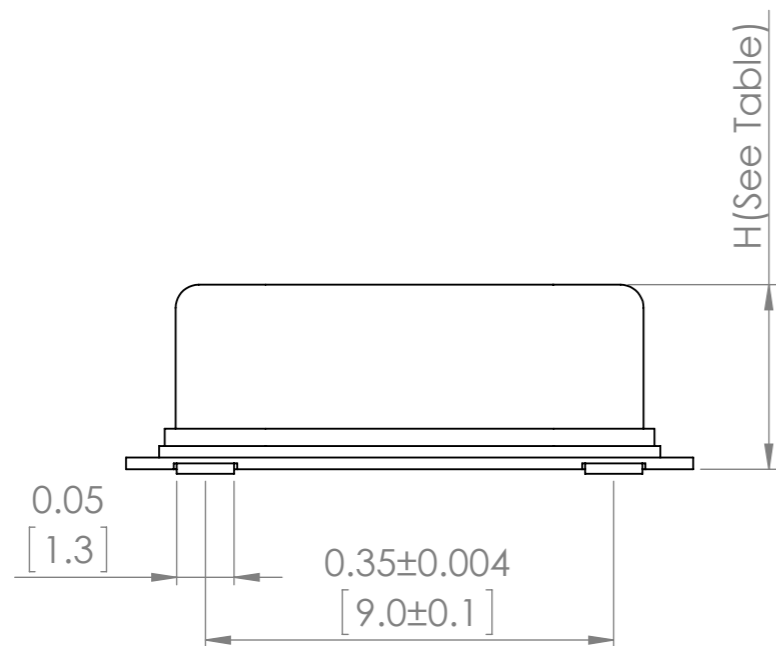
Recommended Land Pattern




INTERNAL CONNECTIONS



Part No	H (max.)
ABSM3B	0.20 (5.1)
ABSM32B	0.18 (4.5)
ABSM33B	0.15 (3.8)



UNLESS OTHERWISE SPECIFIED: DIMENSIONS ARE IN INCH(MM) SURFACE FINISH: TOLERANCES: LINEAR: ANGULAR:				FINISH:	DEBUR AND BREAK SHARP EDGES	DO NOT SCALE DRAWING	REVISION
NAME	SIGNATURE	DATE				 30332 Esperanza, Rancho Santa margarita, California 92688	
DRAWN	SAAZVAT					TITLE: Crystal	
CHK'D	XXXXXX					DWG NO. ABSM3B	
APPV'D						A3	
MFG						SCALE:6:1	
Q.A					WEIGHT: 0.00	SHEET 1 OF 1	