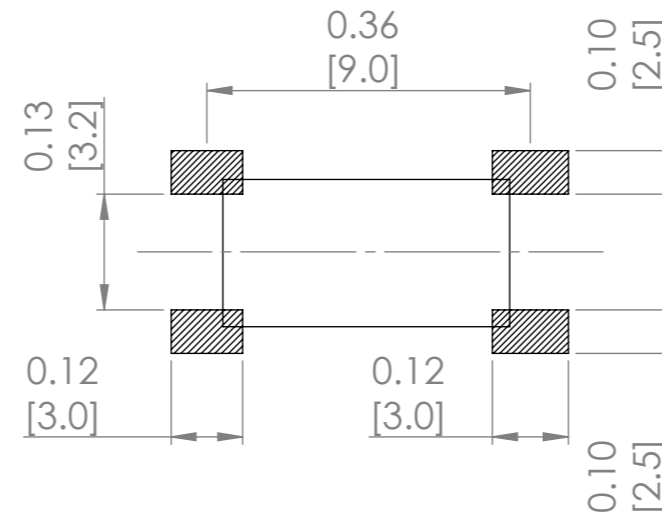
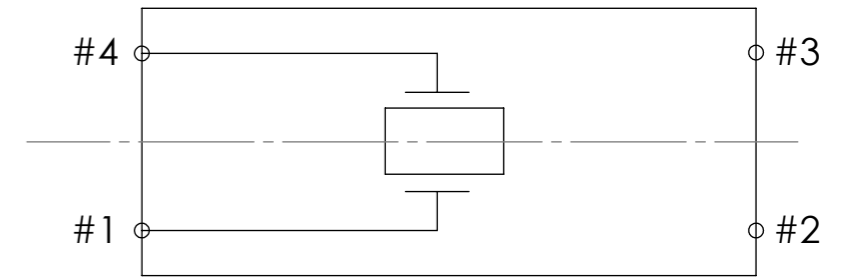


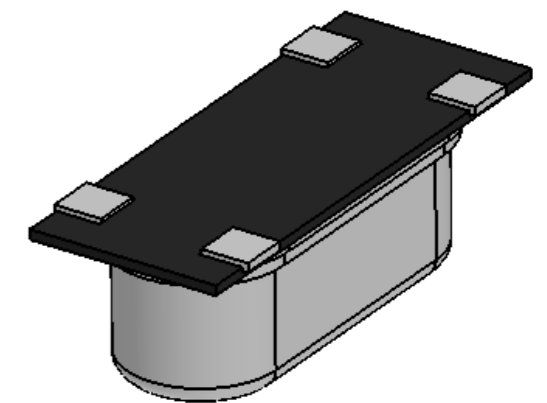
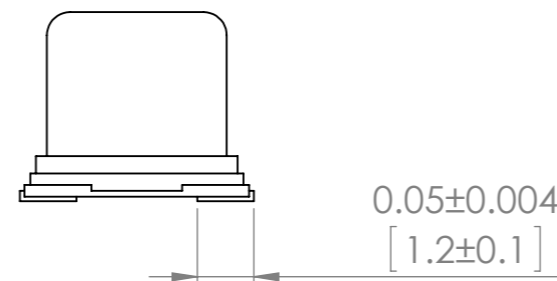
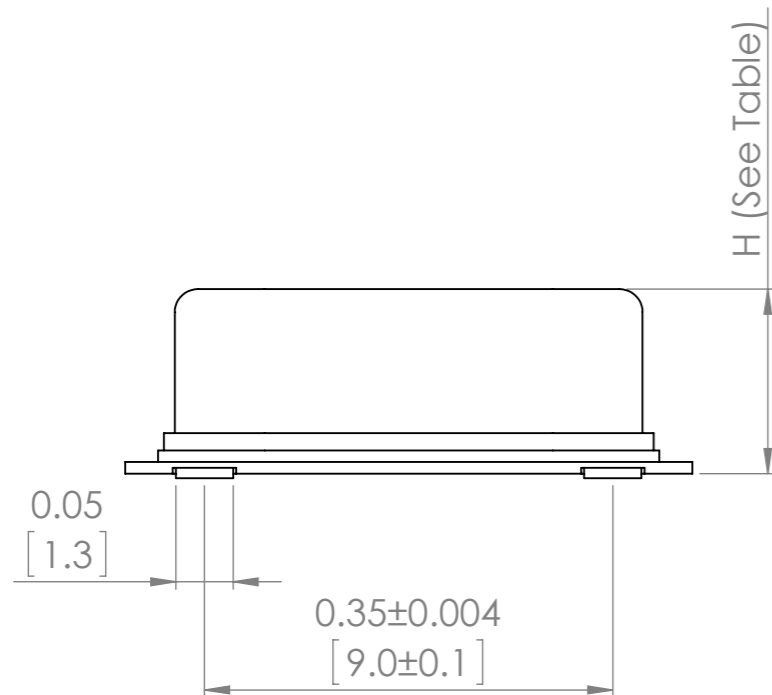
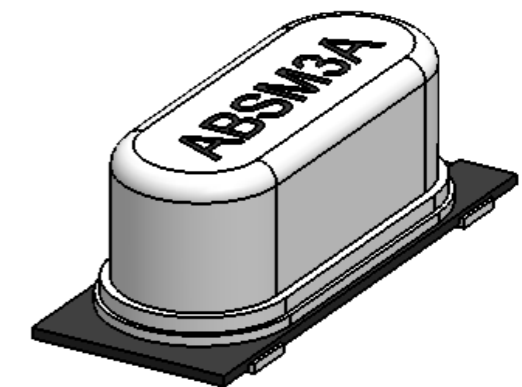
**Recommended Land Pattern**




**PAD CONNECTIONS (Top View)**



Part No	H (max.)
ABSM3A	0.20 (5.1)
ABSM32A	0.18 (4.5)
ABSM33A	0.15 (3.8)



UNLESS OTHERWISE SPECIFIED: DIMENSIONS ARE IN INCH(MM) SURFACE FINISH: TOLERANCES: LINEAR: ANGULAR:				FINISH:		DEBUR AND BREAK SHARP EDGES		DO NOT SCALE DRAWING		REVISION	
DRAWN SAAZVAT				SIGNATURE		DATE		 30332 Esperanza, Rancho Santa margarita, California 92688			
CHK'D XXXXXX								TITLE: Crystal			
APPV'D								DWG NO. ABSM3A			
MFG								A3			
Q.A						MATERIAL:		SCALE:6:1			
						WEIGHT: 0.00		SHEET 1 OF 1			