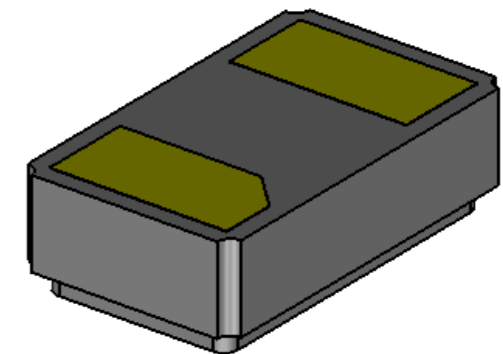
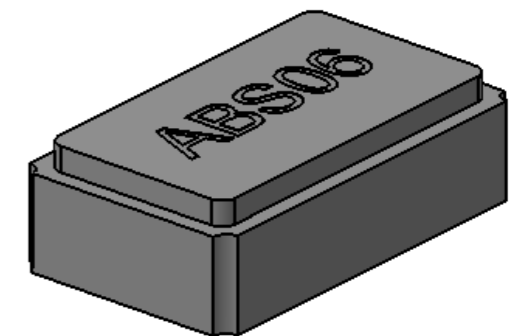
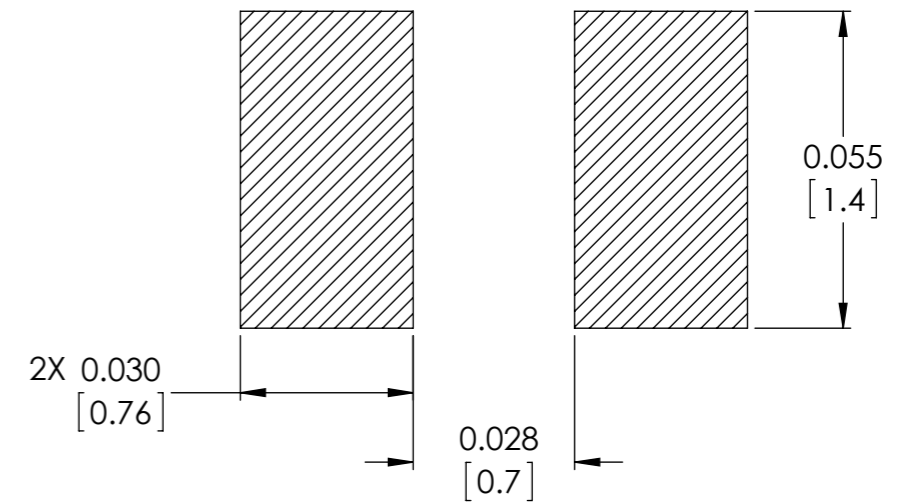
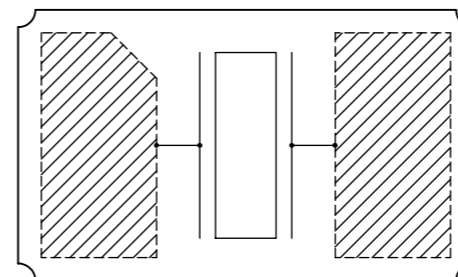


RECOMMENDED LAND PATTERN




INTERNAL CONNECTION



TOP VIEW

Note:  
Chamfer may appear on upper or bottom corner

UNLESS OTHERWISE SPECIFIED: DIMENSIONS ARE IN INCH(MM) SURFACE FINISH: TOLERANCES: LINEAR: ANGULAR:				FINISH:		DEBUR AND BREAK SHARP EDGES		DO NOT SCALE DRAWING		REVISION -	
DRAWN XXXXXX				SIGNATURE		DATE		 30332 Esperanza, Rancho Santa margarita, California 92688		TITLE: ABS06 Quartz Crystal	
CHK'D XXXXXX				APPV'D		MFG				DWG NO. ABS06	
Q.A.				MATERIAL: Quartz		WEIGHT:		SCALE:30:1		SHEET 1 OF 1	