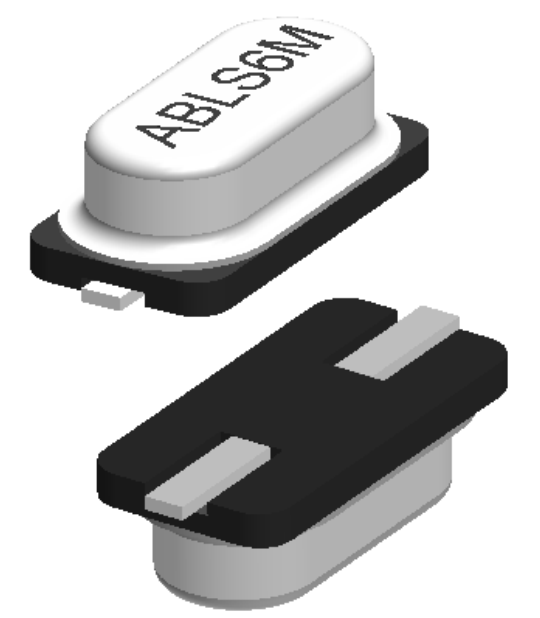
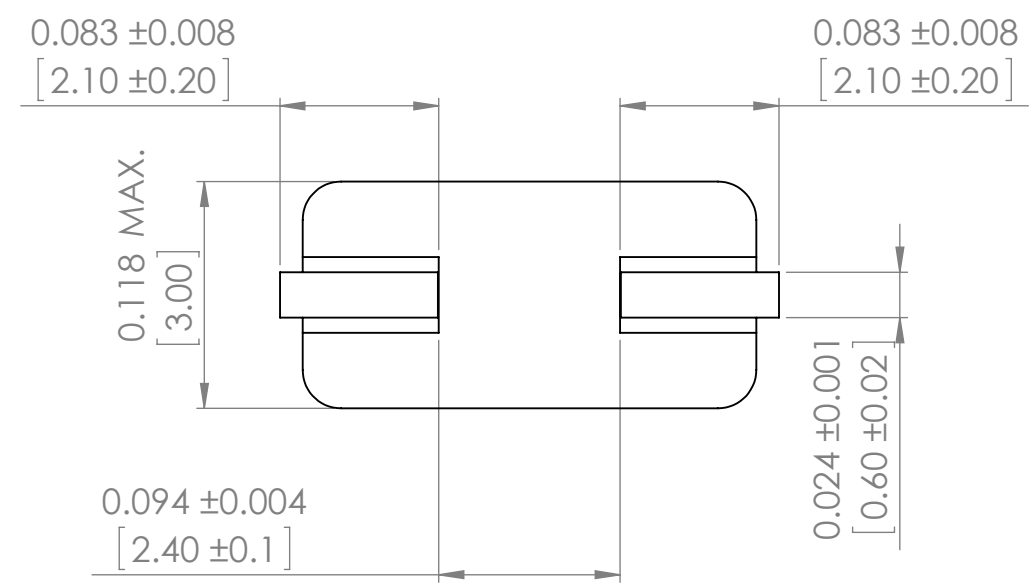
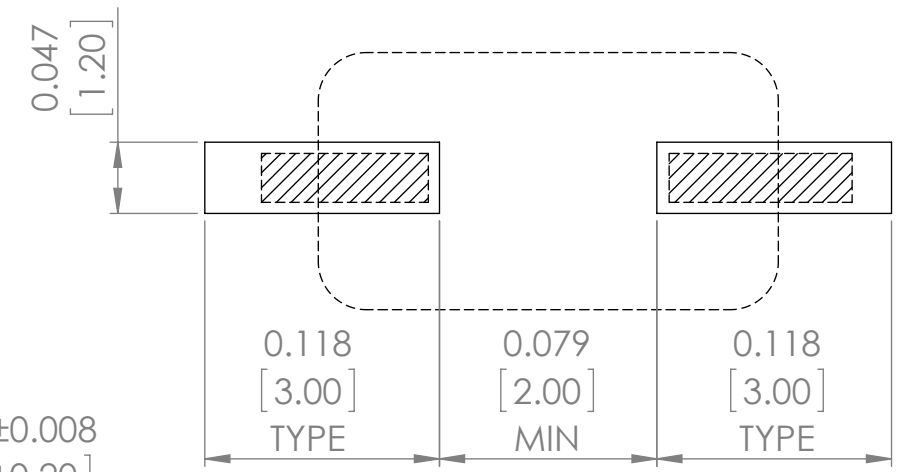



Recommended Land Pattern



TOP PACKAGE MARKING IS FOR ILLUSTRATION PURPOSES ONLY

UNLESS OTHERWISE SPECIFIED: DIMENSIONS ARE IN INCH(MM) SURFACE FINISH: TOLERANCES: LINEAR: ANGULAR:				FINISH:		DEBUR AND BREAK SHARP EDGES		DO NOT SCALE DRAWING		REVISION -	
DRAWN -				SIGNATURE		DATE		 30332 Esperanza, Rancho Santa margarita, California 92688			
CHK'D XXXXXX								TITLE: CRYSTAL			
APPV'D								DWG NO. ABL S6M			
MFG								SCALE: 10:1			
Q.A						MATERIAL:		SHEET 1 OF 1			
						WEIGHT: 0.07		A3			