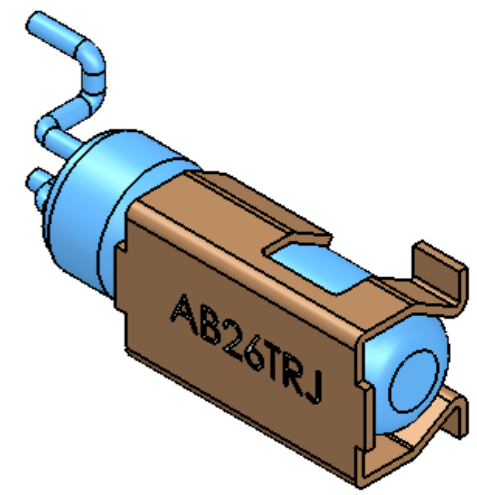
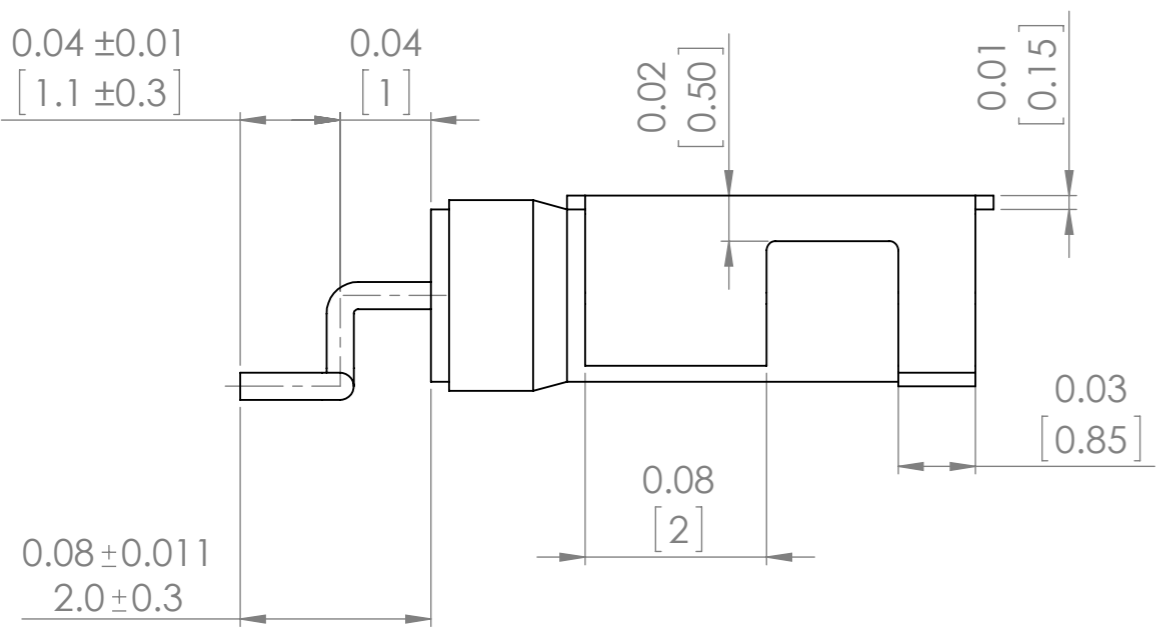
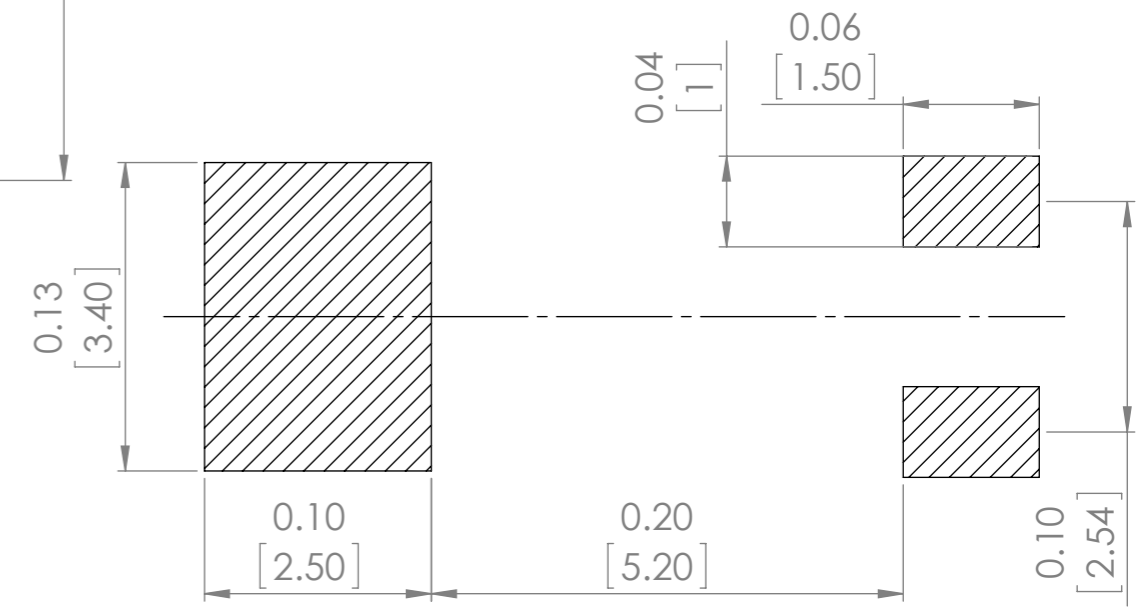



Recommended Land Pattern



NOTE:
 The body/can of the component is not to be soldered. To do so may cause damage to the crystal.
 Use Adhesive/Bonding Materials (i.e. Rubber Adhesive, Epoxy, etc) to affix the component body to the PCB.

UNLESS OTHERWISE SPECIFIED: DIMENSIONS ARE IN INCH(MM) SURFACE FINISH: TOLERANCES: LINEAR: ANGULAR:				FINISH:	DEBUR AND BREAK SHARP EDGES	DO NOT SCALE DRAWING	REVISION
DRAWN SAAZVAT				SIGNATURE	DATE	 30332 Esperanza, Rancho Santa margarita, California 92688	
CHK'D XXXXXX						TITLE: CRYSTAL	
APPV'D						DWG NO. AB26TRJ	
MFG				MATERIAL:		A3	
Q.A				WEIGHT:		SCALE: 12:1 SHEET 1 OF 1	