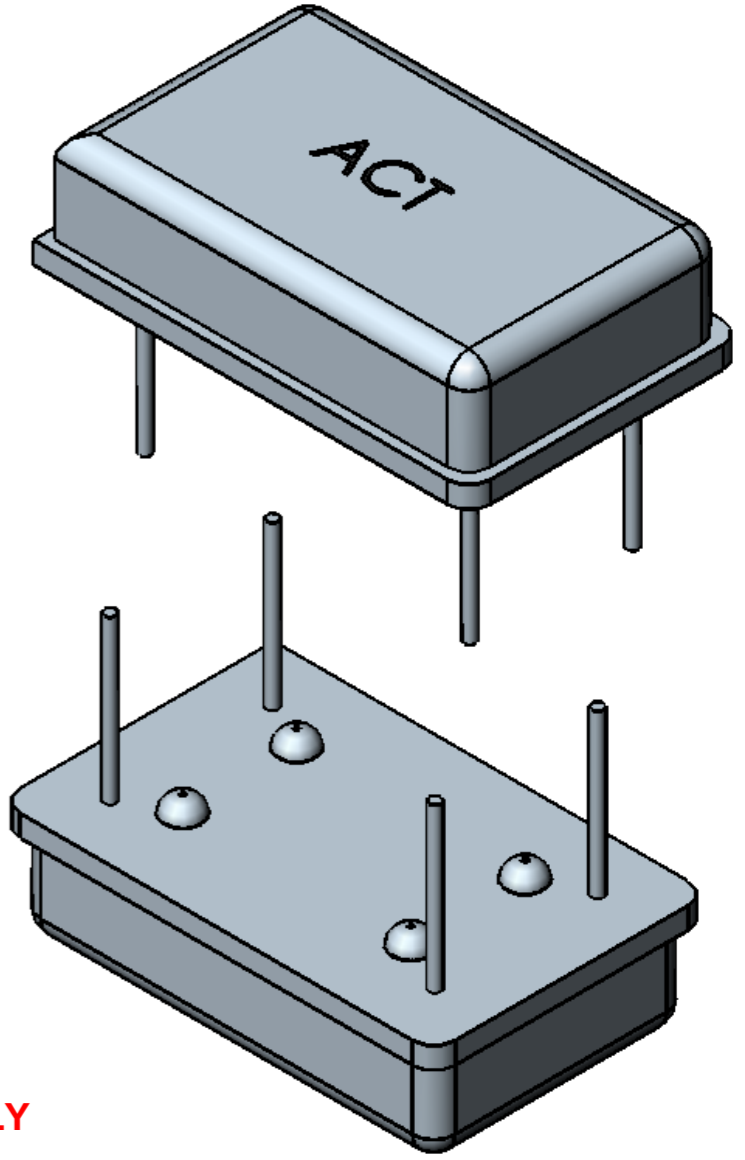



PIN	FUNCTION
1	NC or Tristate Enable/ Disable
7	GND/Case
8	Output
14	VDD

Note: Remomended using a approximately 0.01uF bypass capacitor between Pin 7 and 14



TOP PACKAGE MARKING IS FOR ILLUSTRATION PURPOSES ONLY

UNLESS OTHERWISE SPECIFIED: DIMENSIONS ARE IN INCH(MM) SURFACE FINISH: TOLERANCES: LINEAR: ANGULAR:				FINISH:	DEBUR AND BREAK SHARP EDGES	DO NOT SCALE DRAWING	REVISION
DRAWN SAAZVAT				SIGNATURE	DATE	 30332 Esperanza, Rancho Santa margarita, California 92688	
CHK'D XXXXXX						TITLE: OSCILLATOR	
APPV'D						DWG NO. ACT	
MFG				MATERIAL:		SCALE:4:1	
Q.A				WEIGHT:		SHEET 1 OF 1	
						A3	