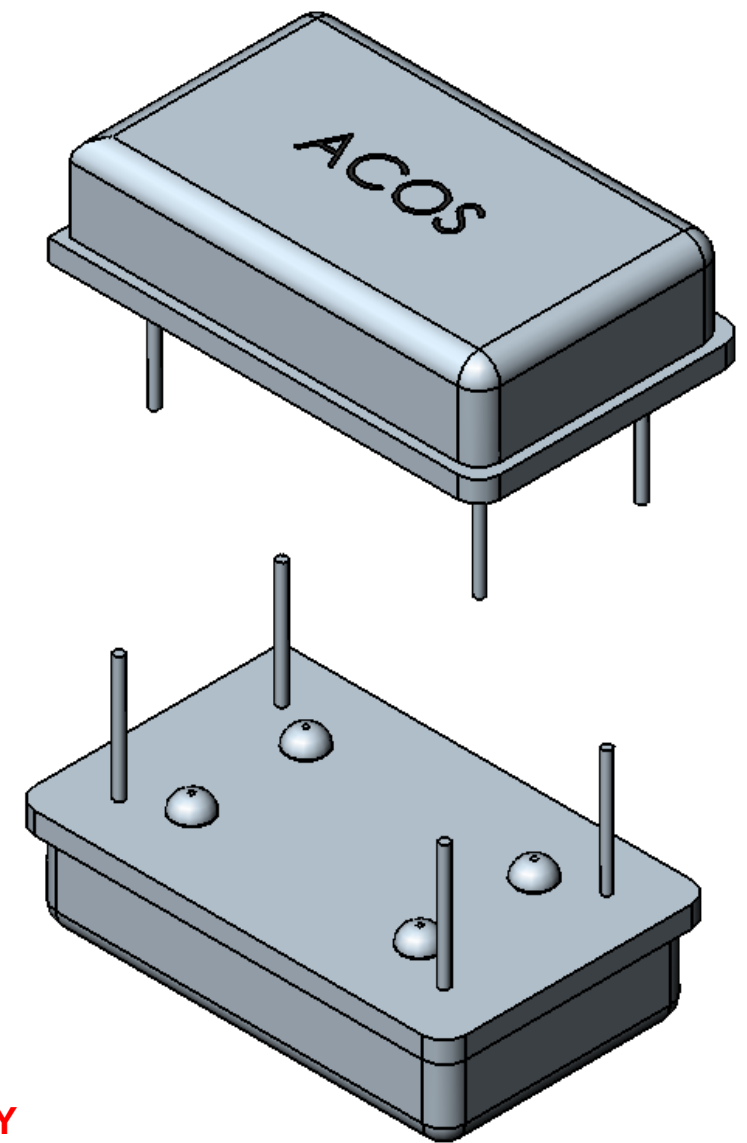



PIN	FUNCTION
1	NC
7	GND/Case
8	Output
14	VDD



TOP PACKAGE MARKING IS FOR ILLUSTRATION PURPOSES ONLY

UNLESS OTHERWISE SPECIFIED: DIMENSIONS ARE IN INCH(MM) SURFACE FINISH: TOLERANCES: LINEAR: ANGULAR:				FINISH:		DEBUR AND BREAK SHARP EDGES		DO NOT SCALE DRAWING		REVISION	
DRAWN SAAZVAT				SIGNATURE		DATE		 30332 Esperanza, Rancho Santa margarita, California 92688			
CHK'D XXXXXX								TITLE: OSCILLATOR			
APPV'D								DWG NO. ACOS A3			
MFG								SCALE:4:1			
Q.A						MATERIAL:		SHEET 1 OF 1			
						WEIGHT:					