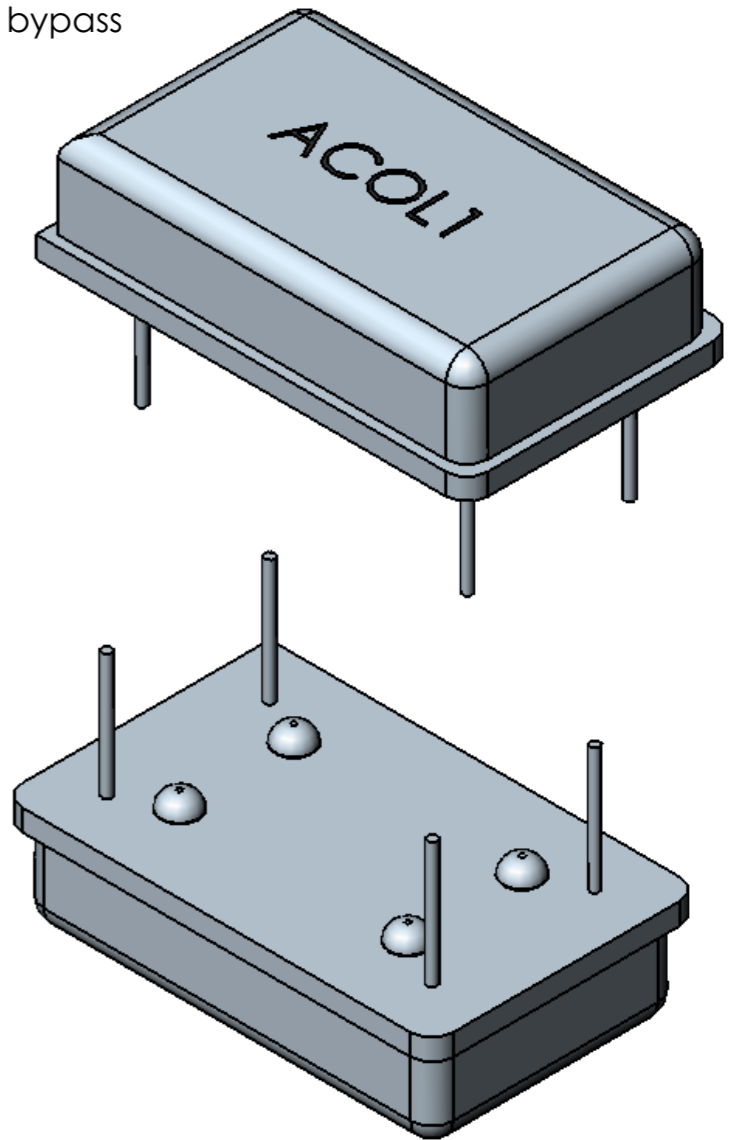



PIN	FUNCTION
1	NC or Tristate Enable/ Disable
4	GND/Case
5	Output
8	VDD

Note: Recommended using an approximately 0.01uF bypass capacitor between PIN 4 and 8.



UNLESS OTHERWISE SPECIFIED: DIMENSIONS ARE IN INCH(MM) SURFACE FINISH: TOLERANCES: LINEAR: ANGULAR:				FINISH:	DEBUR AND BREAK SHARP EDGES	DO NOT SCALE DRAWING	REVISION
						 30332 Esperanza, Rancho Santa margarita, California 92688	
DRAWN	NAME	SIGNATURE	DATE			TITLE: OSCILLATOR	
CHK'D	SAAZVAT					DWG NO. ACOL1	
APPV'D	XXXXXX					A3	
MFG				MATERIAL:		SCALE:4:1	
Q.A				WEIGHT:		SHEET 1 OF 1	