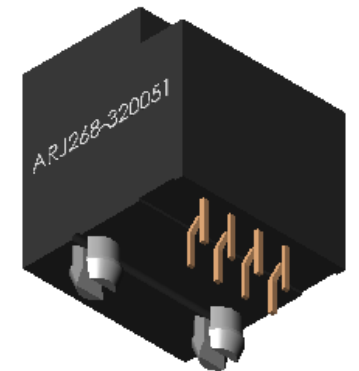
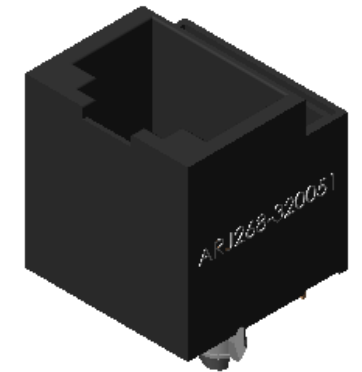
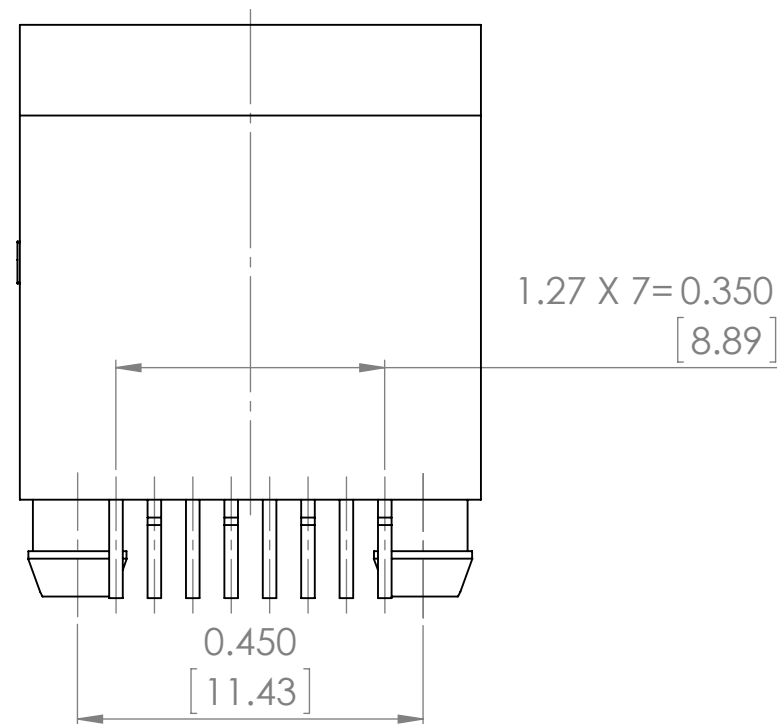
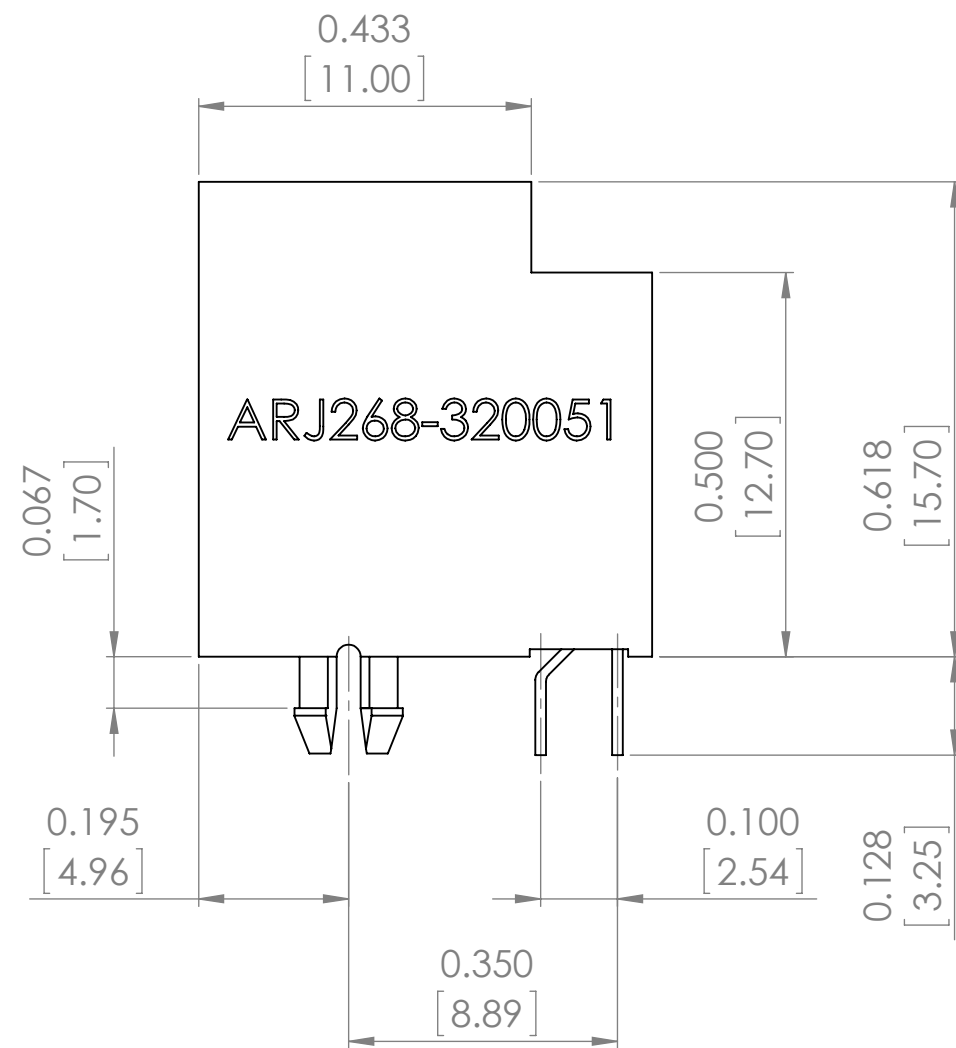



**Recommended Hole Pattern  
View From Component Side**



DO NOT SCALE DRAWING		REVISION	-
 Apracon LLC, 2 Faraday, Suite#B Irvine, Ca. 92618			
TITLE:		RJ45 JACK, TOP ENTRY	
DWG NO.:		ARJ268-320051	A3
SCALE:4:1	SHEET 1 OF 1		