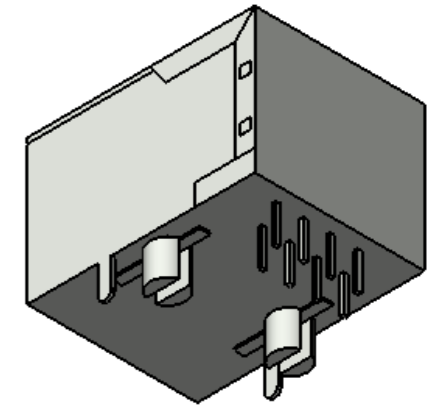
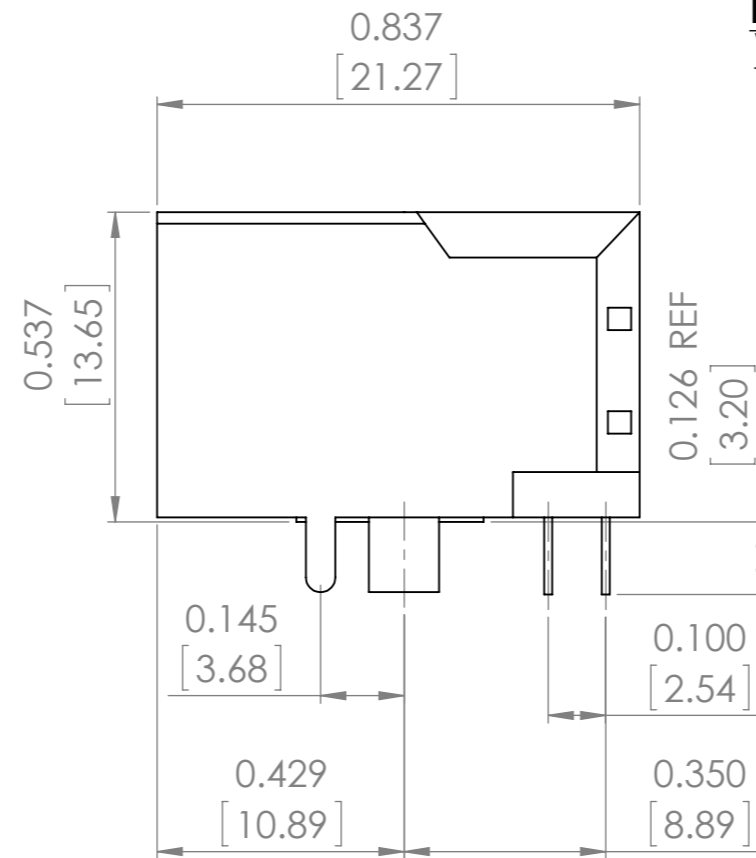
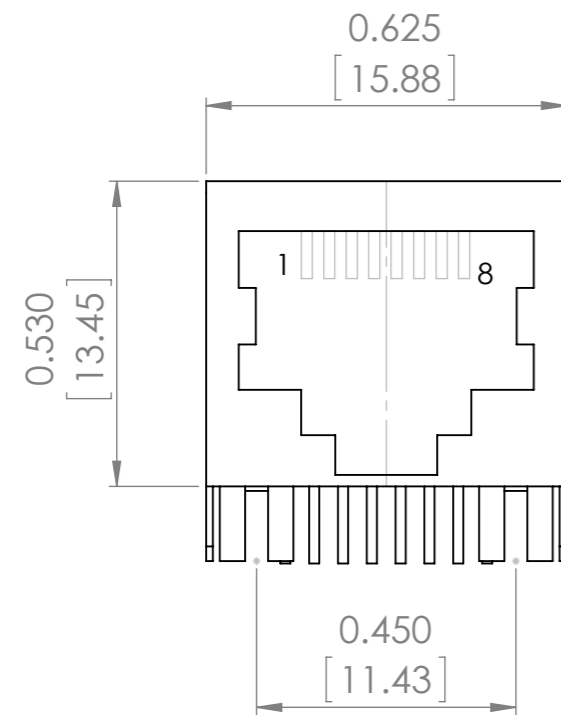
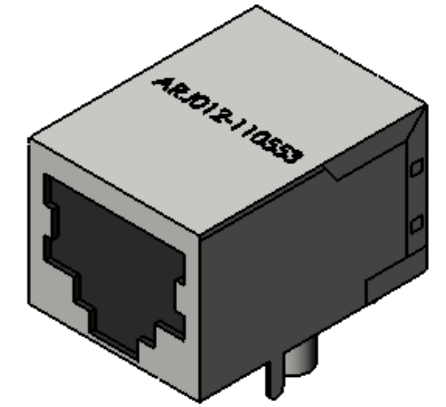



**Recommended Hole Pattern  
View From Component Side**



DO NOT SCALE DRAWING	REVISION	-
 <b>ABRACON</b> LLC <small>The Power of Linking Together</small>		
Apracon LLC, 2 Faraday, Suite#B Irvine, Ca. 92618		
TITLE:	RJ45	
DWG NO.	ARJ012-110553	A3
SCALE:3:1	SHEET 1 OF 1	