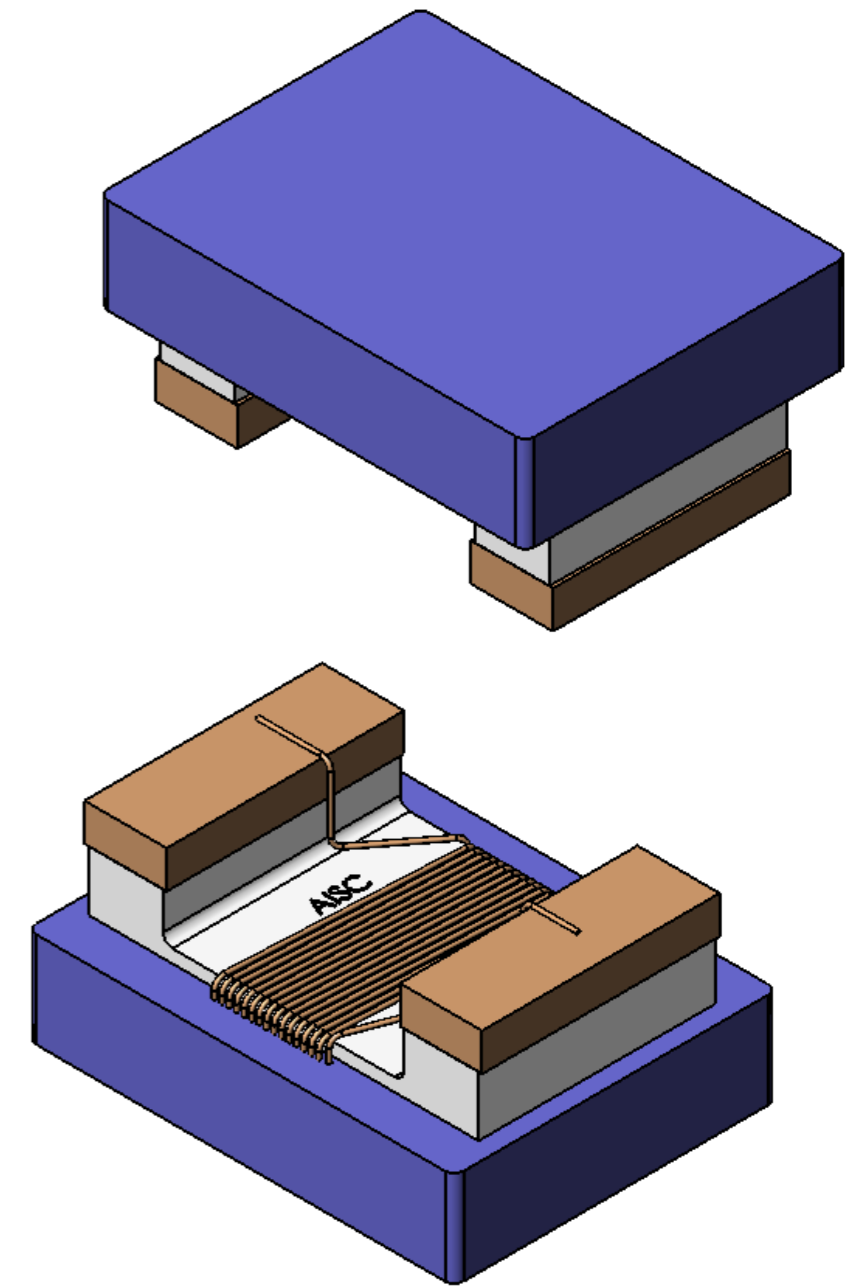
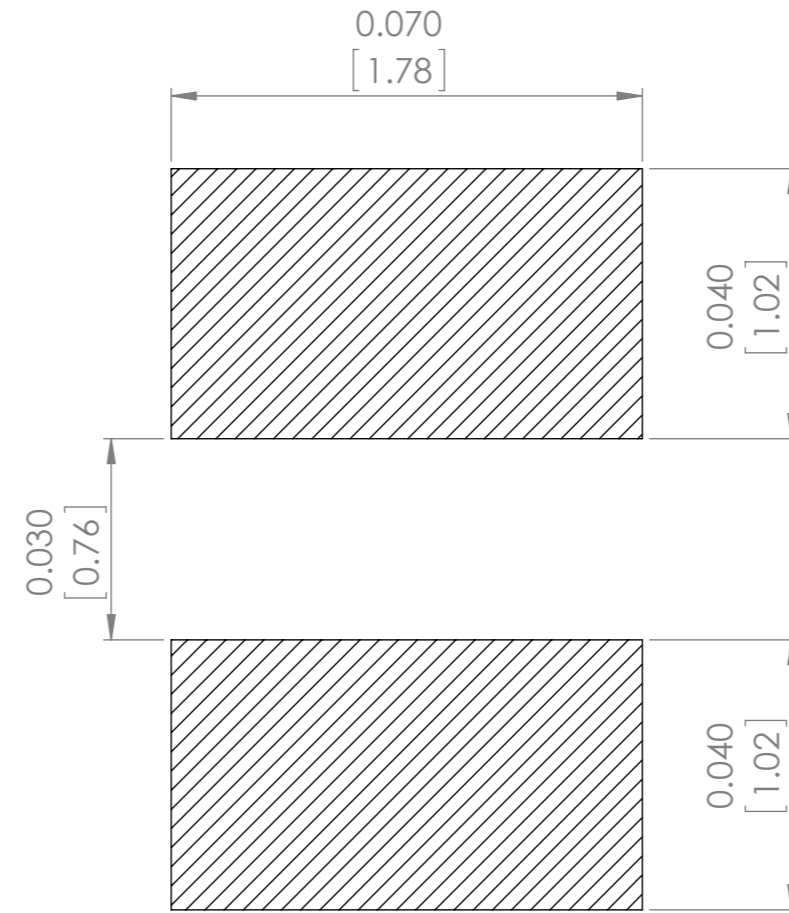



**Recommended Land Pattern**



UNLESS OTHERWISE SPECIFIED: DIMENSIONS ARE IN INCH(MM) SURFACE FINISH: TOLERANCES: LINEAR: ANGULAR:				FINISH:		DEBUR AND BREAK SHARP EDGES		DO NOT SCALE DRAWING		REVISION	
								 <b>ABRACON CORPORATION</b>		-	
								30332 Esperanza, Rancho Santa margarita, California 92688		TITLE: Wirewound	
DRAWN: SAAZVAT				SIGNATURE		DATE		DWG NO. AISC-0805LP		A3	
CHK'D: XXXXXX								SCALE:35:1		SHEET 1 OF 1	
APPV'D											
MFG											
Q.A						MATERIAL:					
						WEIGHT:					