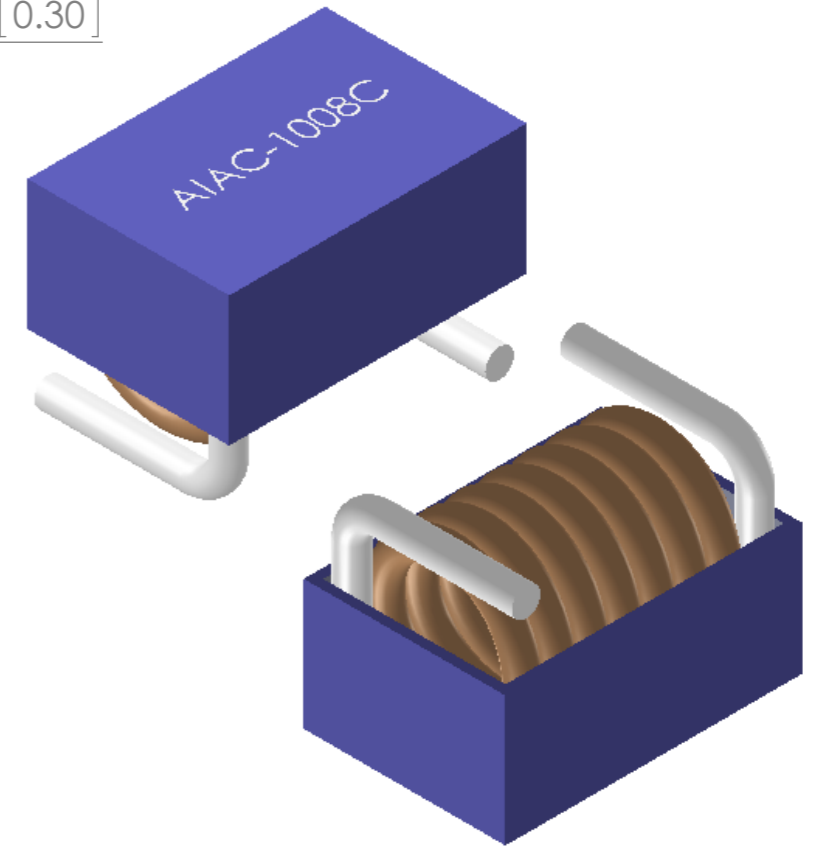
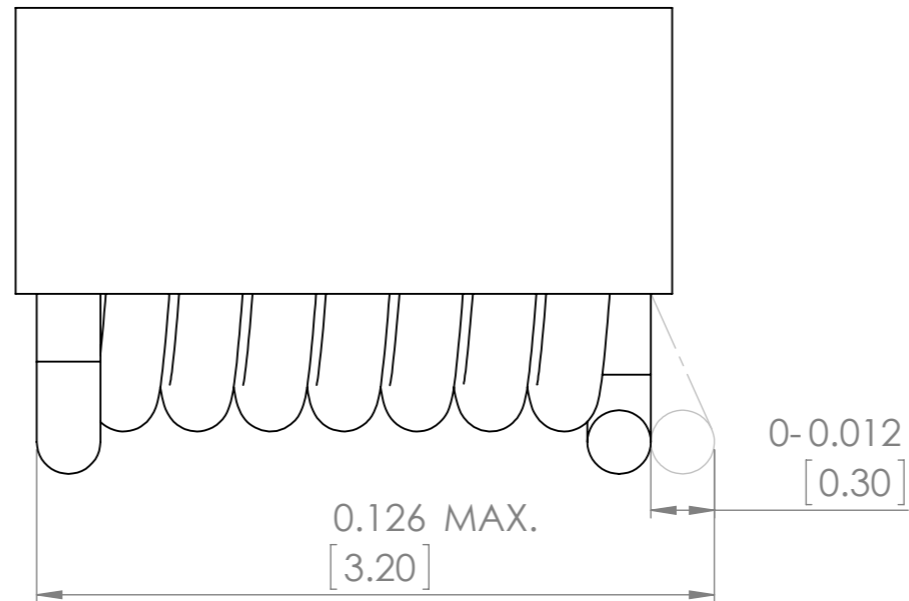
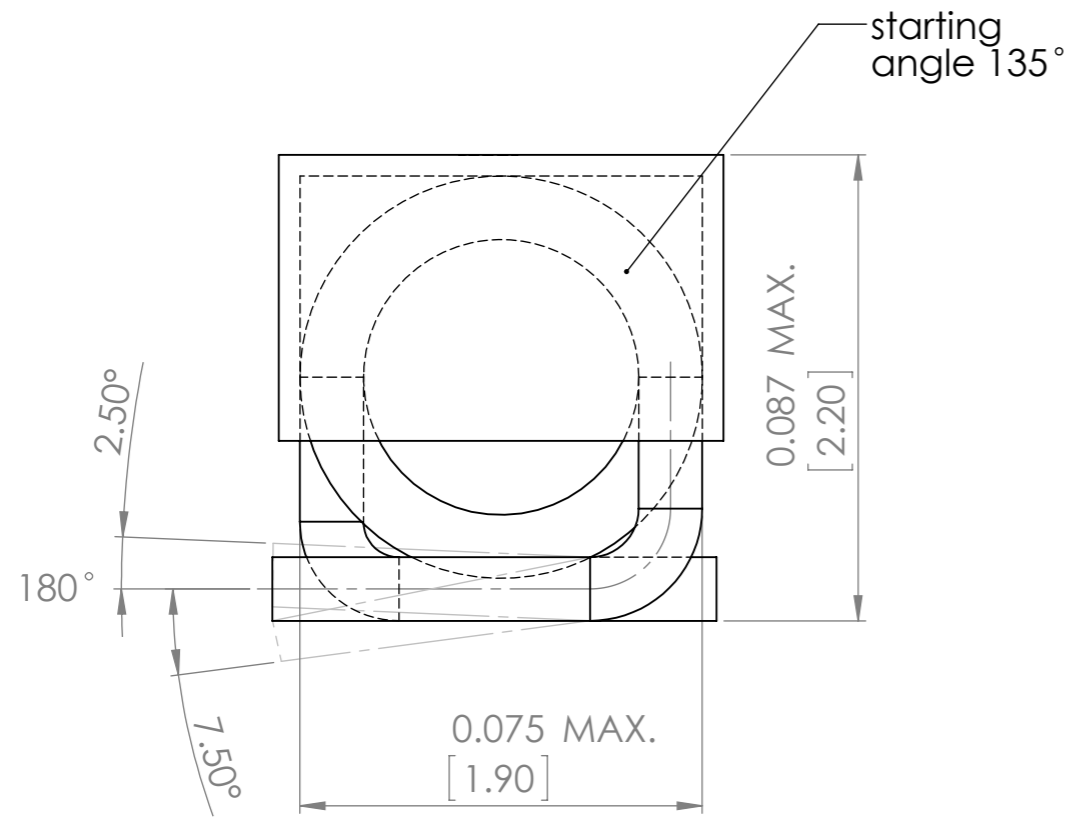
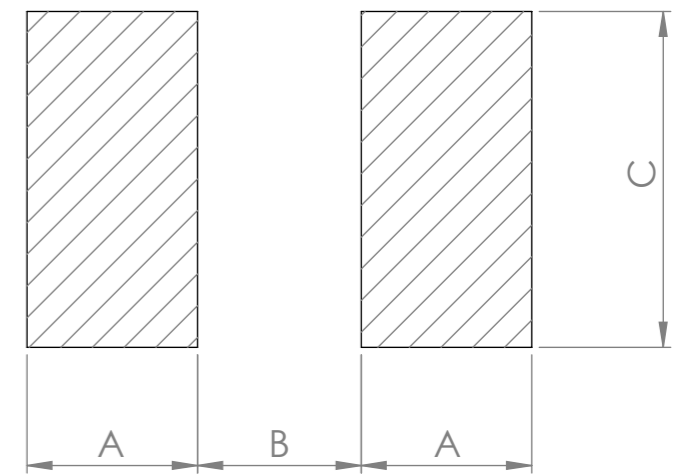
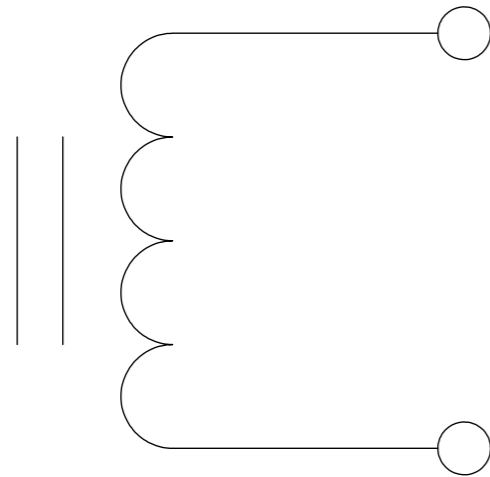



Recommended Land Pattern



A	1.02 Min
B	1.27 Min
C	2.54 Min



TOP PACKAGE MARKING IS FOR ILLUSTRATION PURPOSES ONLY

UNLESS OTHERWISE SPECIFIED: DIMENSIONS ARE IN INCH(MM) SURFACE FINISH: TOLERANCES: LINEAR: ANGULAR:				FINISH:	DEBUR AND BREAK SHARP EDGES	DO NOT SCALE DRAWING	REVISION -
						 30332 Esperanza, Rancho Santa margarita, California 92688	
DRAWN	NAME	SIGNATURE	DATE			TITLE: Air Coil	
CH'K'D	SAAZVAT					DWG NO. AIAC-1008C	
APPV'D	XXXXXX					A3	
MFG				MATERIAL:		SCALE:28:1	
Q.A				WEIGHT:		SHEET 1 OF 1	