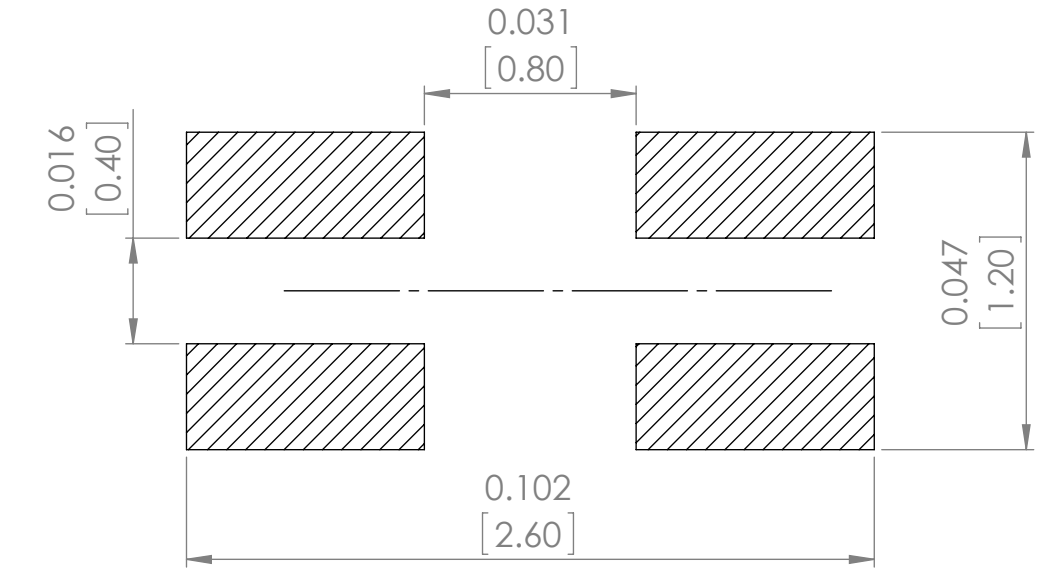
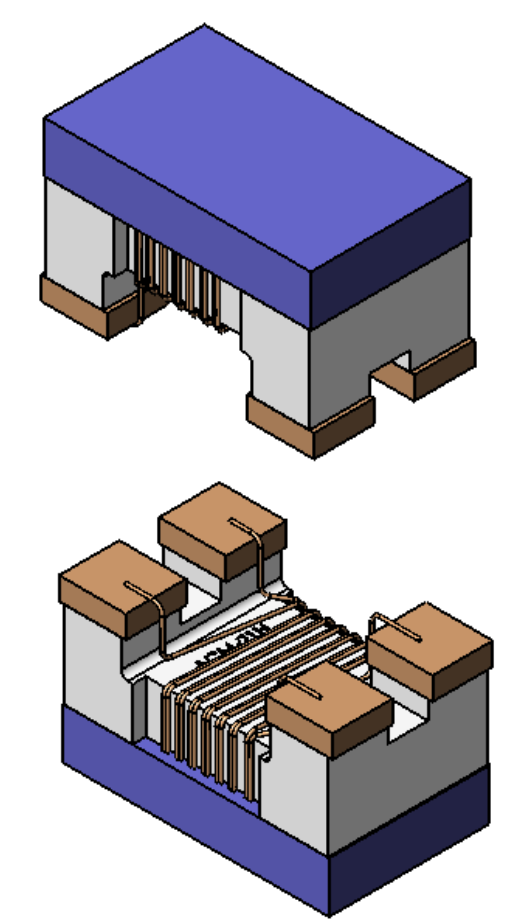
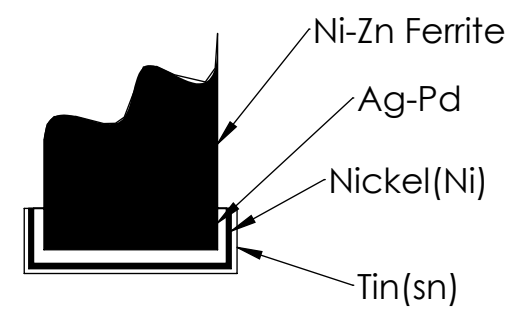
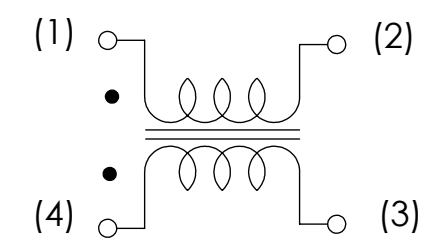


Recommended Land Pattern




Schematic



No	Part Name	Material Name
1	Lid	Ni-Zn Ferrite
2	Epoxy	Epoxy Resin
3	Wire	Polyurethane system enameled copper wire
4	Core	Ni-Zn Ferrite
5	Electrode structure	(Ag-pd)+Ni+Sn plating

TOP PACKAGE MARKING IS FOR ILLUSTRATION PURPOSES ONLY

UNLESS OTHERWISE SPECIFIED: DIMENSIONS ARE IN INCH(MM) SURFACE FINISH: TOLERANCES: LINEAR: ANGULAR:		FINISH:	DEBUR AND BREAK SHARP EDGES	DO NOT SCALE DRAWING	REVISION -
NAME	SIGNATURE	DATE		 30332 Esperanza, Rancho Santa margarita, California 92688 TITLE: Common Mode Choke DWG NO. ACM-21H SCALE:35:1 SHEET 1 OF 1	
DRAWN SAAZVAT					
CHK'D XXXXXX					
APPV'D					
MFG					
Q.A			MATERIAL:		
			WEIGHT:		