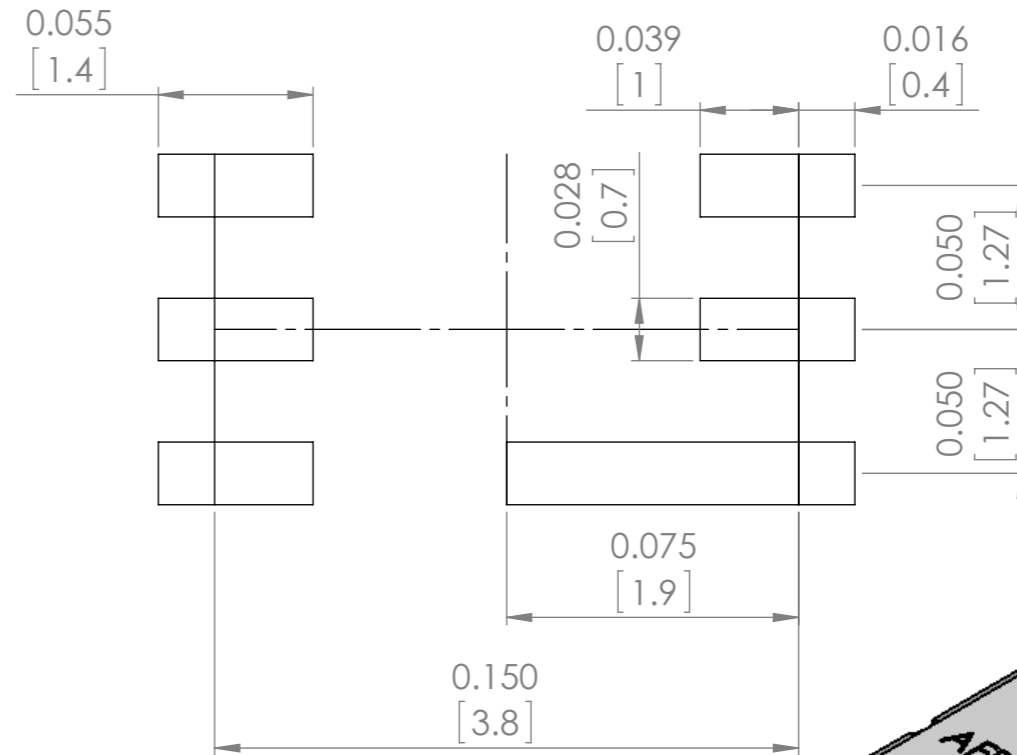
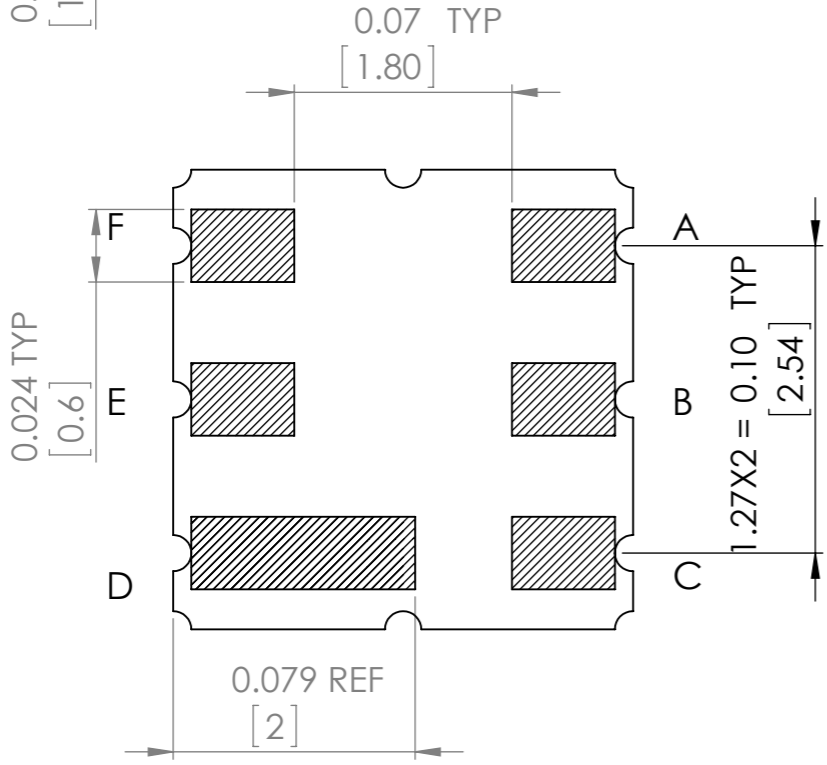
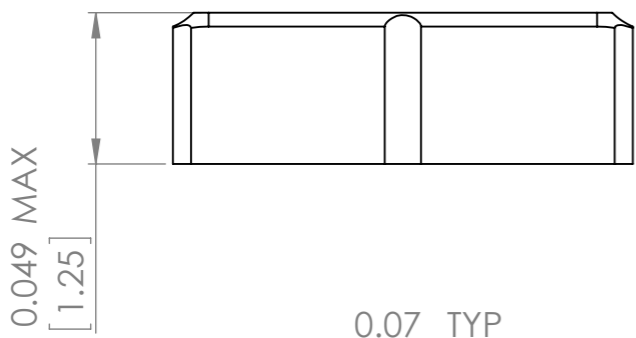
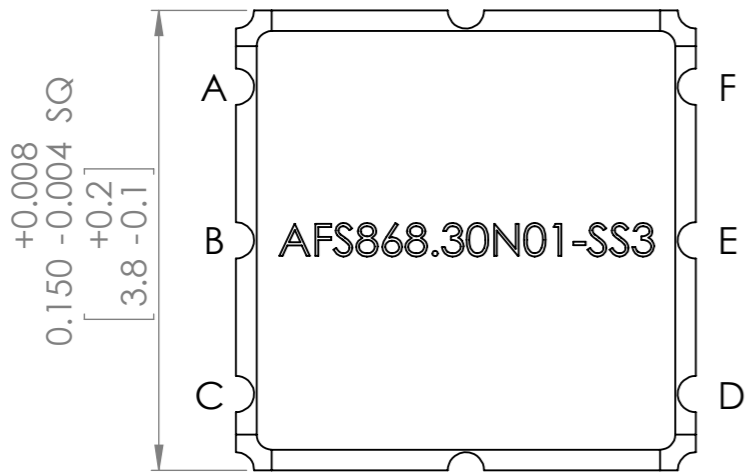
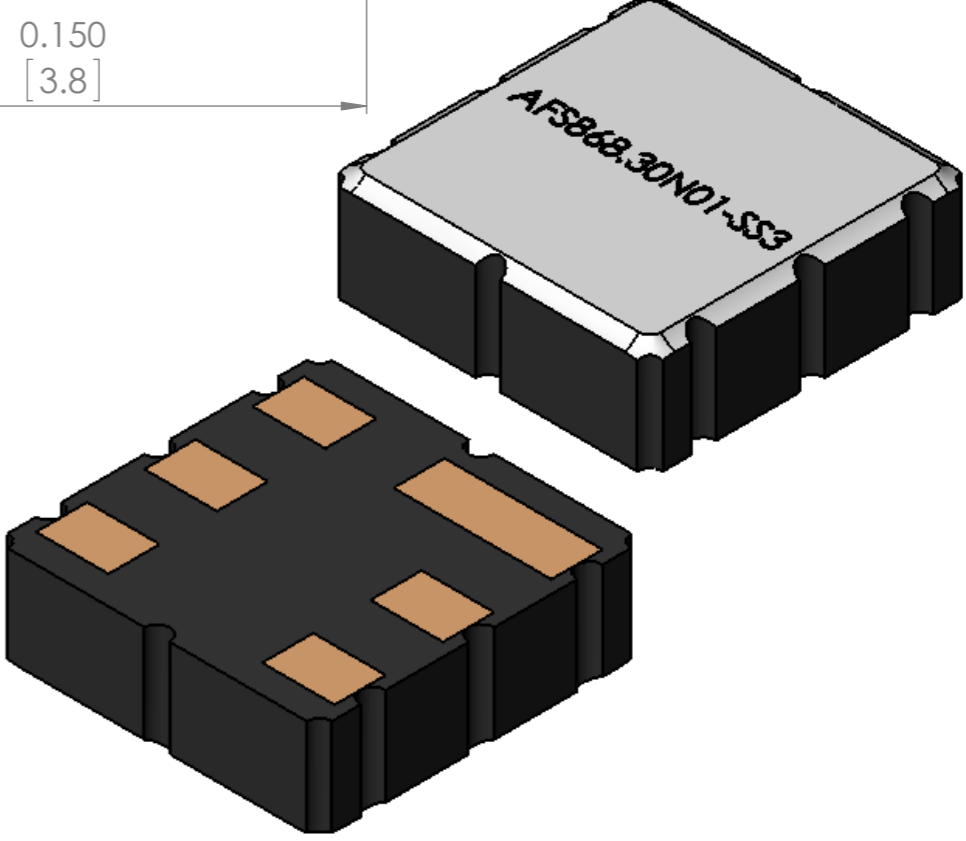


**Recommended Land Pattern**



B : Input  
 E : Output  
 A,C,D,F Ground



UNLESS OTHERWISE SPECIFIED: DIMENSIONS ARE IN INCH(MM) SURFACE FINISH: TOLERANCES: LINEAR: ANGULAR:				FINISH:		DEBUR AND BREAK SHARP EDGES		DO NOT SCALE DRAWING		REVISION	
DRAWN SAAZVAT				SIGNATURE		DATE				-	
CHK'D XXXXXX								30332 Esperanza, Rancho Santa margarita, California 92688		TITLE:	
APPV'D								SAW Filter		A3	
MFG								DWG NO.		AFS868.30N01-SS3	
Q.A						MATERIAL:		SCALE:16:1		SHEET 1 OF 1	
						WEIGHT:					