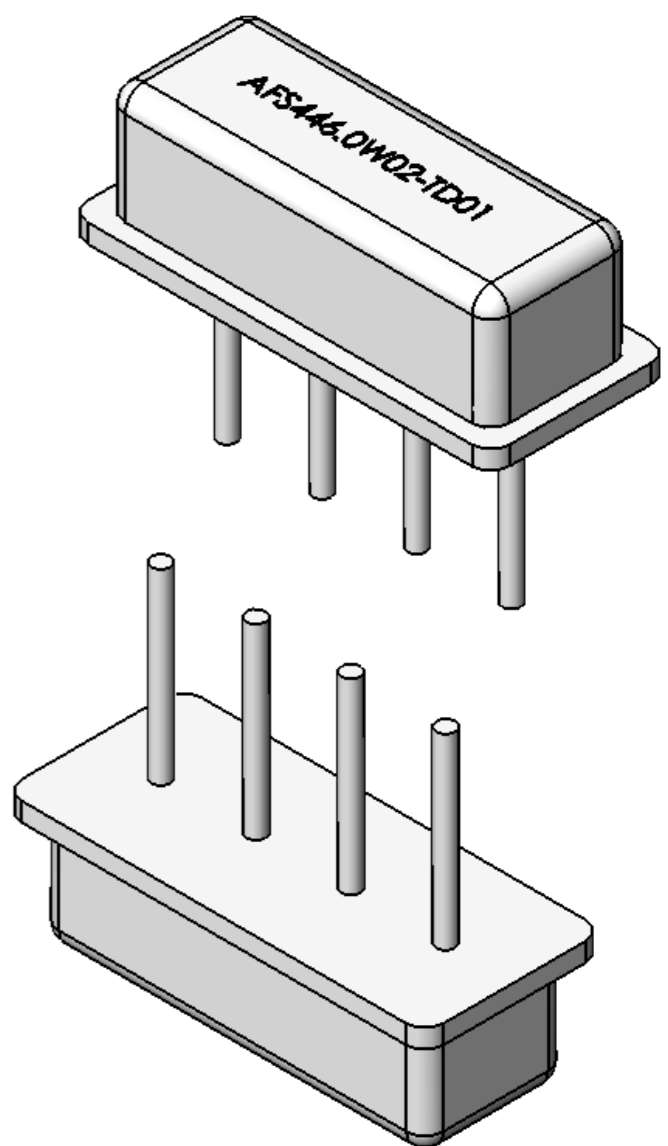



PIN	FUNCTION
1	INPUT
4	OUTPUT
2,3	GROUND



UNLESS OTHERWISE SPECIFIED: DIMENSIONS ARE IN INCH(MM) SURFACE FINISH: TOLERANCES: LINEAR: ANGULAR:				FINISH:		DEBUR AND BREAK SHARP EDGES		DO NOT SCALE DRAWING		REVISION -	
DRAWN SAAZVAT				SIGNATURE		DATE		 30332 Esperanza, Rancho Santa margarita, California 92688 SAW Filter DWG NO. AFS446.0W02-TD01			
CHK'D XXXXXX											
APP'V'D											
MFG											
Q.A											
						MATERIAL:		SCALE:7:1		SHEET 1 OF 1	
						WEIGHT:				A3	