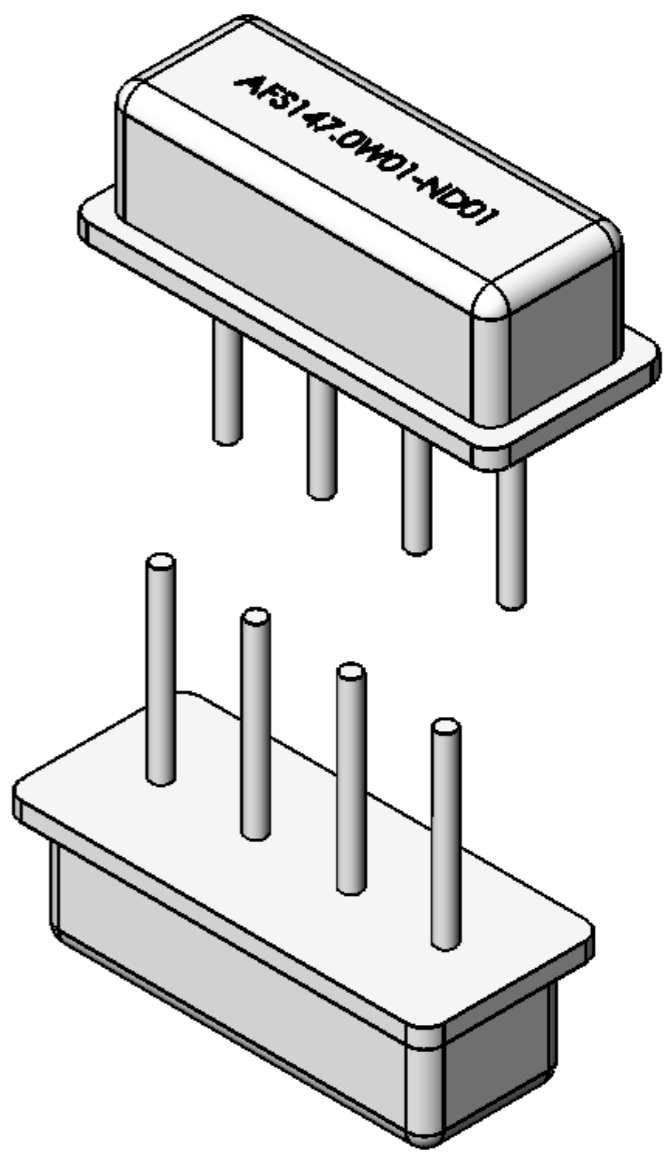



PIN	FUNCTION
1	INPUT/OUTPUT
2	GROUND
3	GROUND
4	OUTPUT/INPUT

TOLERANCES (mm):	
X,X: ±0,38	,XX: ±0,25



UNLESS OTHERWISE SPECIFIED: DIMENSIONS ARE IN INCH(MM) SURFACE FINISH: TOLERANCES: LINEAR: ANGULAR:				FINISH:		DEBUR AND BREAK SHARP EDGES		DO NOT SCALE DRAWING		REVISION -	
DRAWN SAAZVAT				SIGNATURE		DATE		 30332 Esperanza, Rancho Santa margarita, California 92688			
CHK'D XXXXXX								TITLE: SAW Filter			
APPV'D								DWG NO. AFS147.0W01-ND01		A3	
MFG								SCALE:7:1		SHEET 1 OF 1	
Q.A						MATERIAL:					
						WEIGHT:					