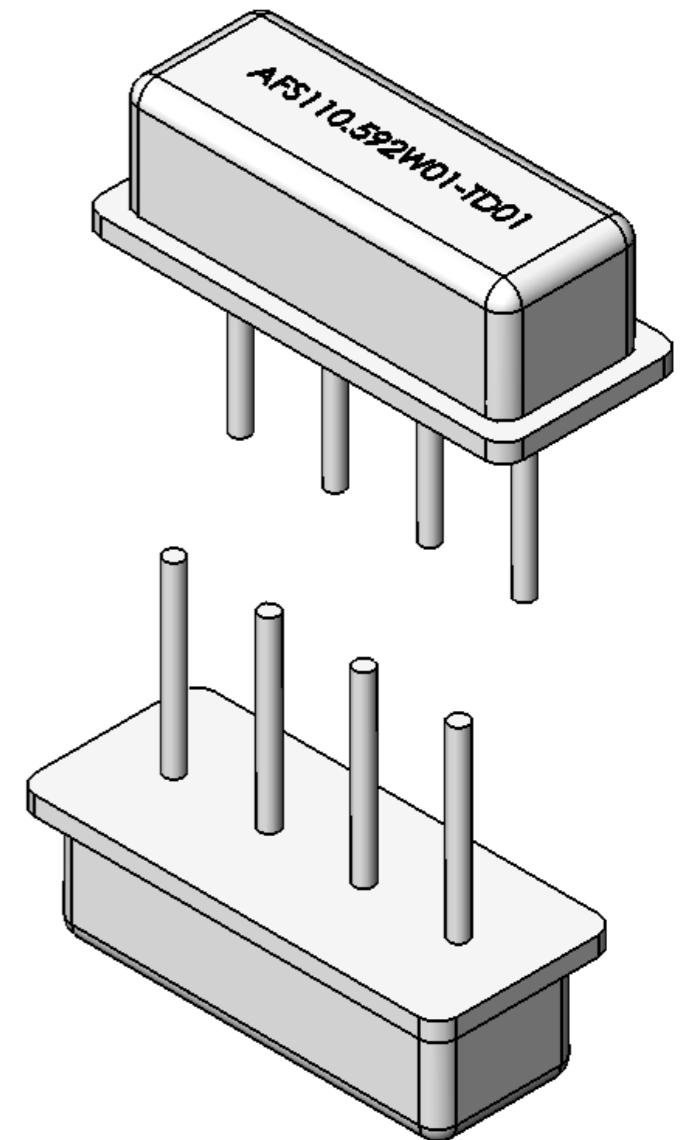



TOP PACKAGE MARKING IS FOR ILLUSTRATION PURPOSES ONLY

PIN	FUNCTION
1	INPUT
4	OUTPUT
2,3	GROUND



UNLESS OTHERWISE SPECIFIED: DIMENSIONS ARE IN INCH(MM) SURFACE FINISH: TOLERANCES: LINEAR: ANGULAR:				FINISH:		DEBUR AND BREAK SHARP EDGES		DO NOT SCALE DRAWING		REVISION -	
DRAWN SAAZVAT		SIGNATURE		DATE				 30332 Esperanza, Rancho Santa margarita, California 92688		TITLE: SAW Filter	
CHK'D XXXXXX											
APPV'D										SCALE:7:1	
MFG										SHEET 1 OF 1	
Q.A						MATERIAL:					
						WEIGHT:					