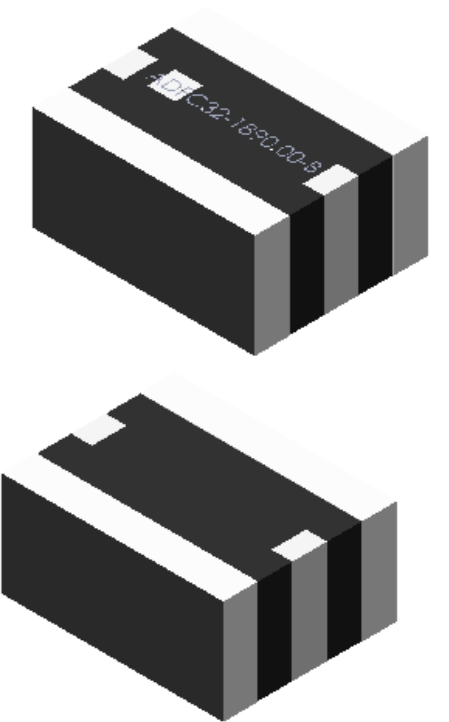
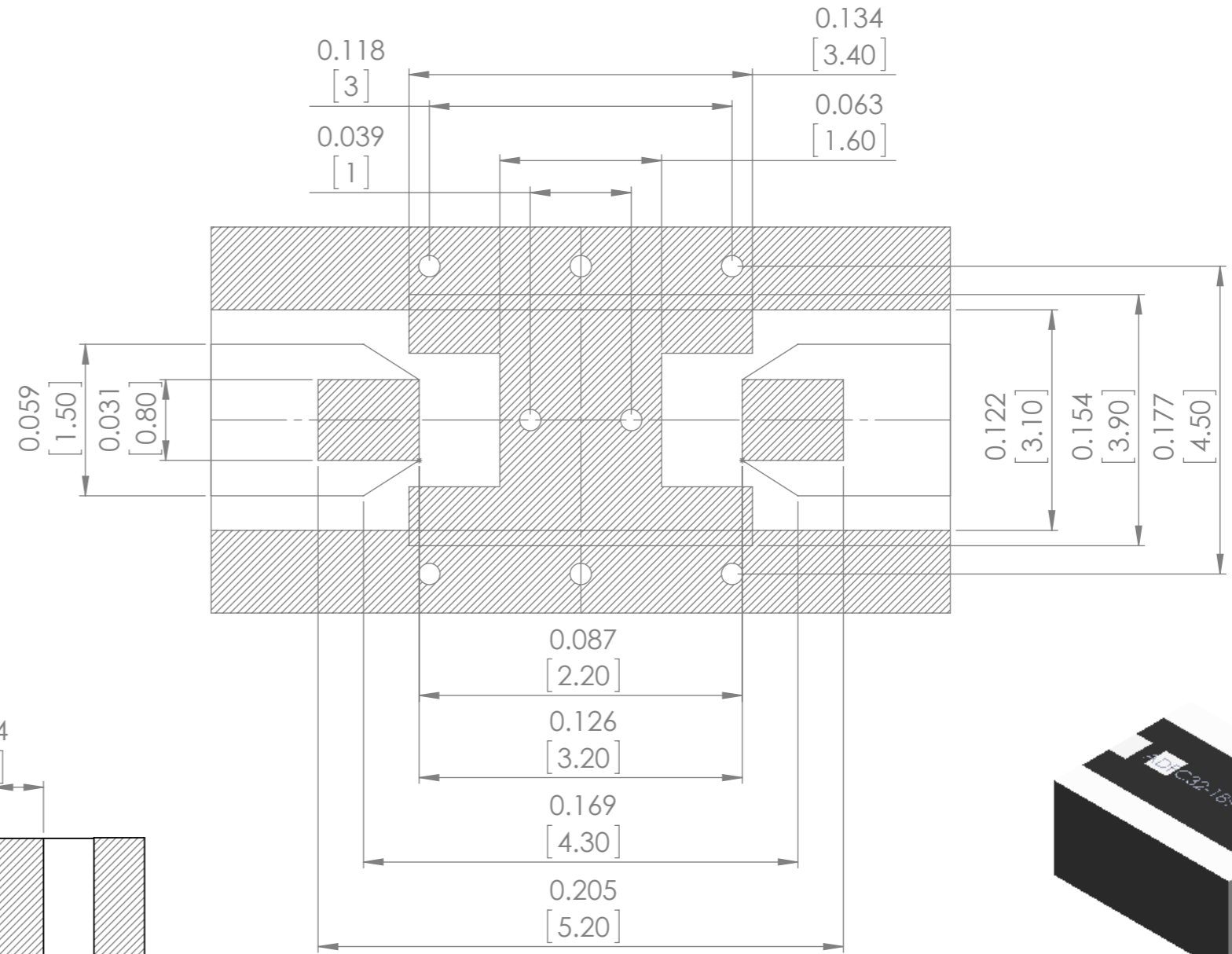



Input: 1

Output: 2

*GND



UNLESS OTHERWISE SPECIFIED: DIMENSIONS ARE IN INCH(MM) SURFACE FINISH: TOLERANCES: LINEAR: ANGULAR:				FINISH:		DEBUR AND BREAK SHARP EDGES		DO NOT SCALE DRAWING		REVISION -	
DRAWN SAAZVAT				SIGNATURE		DATE		 ABRACON CORPORATION 30332 Esperanza, Rancho Santa margarita, California 92688			
CHK'D XXXXXX											
APPV'D								TITLE: Dielectric Filter			
MFG								DWG NO. ADFC32-1890.00-B			
Q.A						MATERIAL:		SCALE: 17:1			
						WEIGHT:		SHEET 1 OF 1			