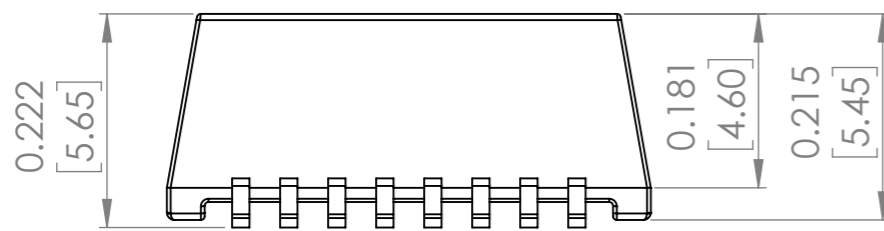
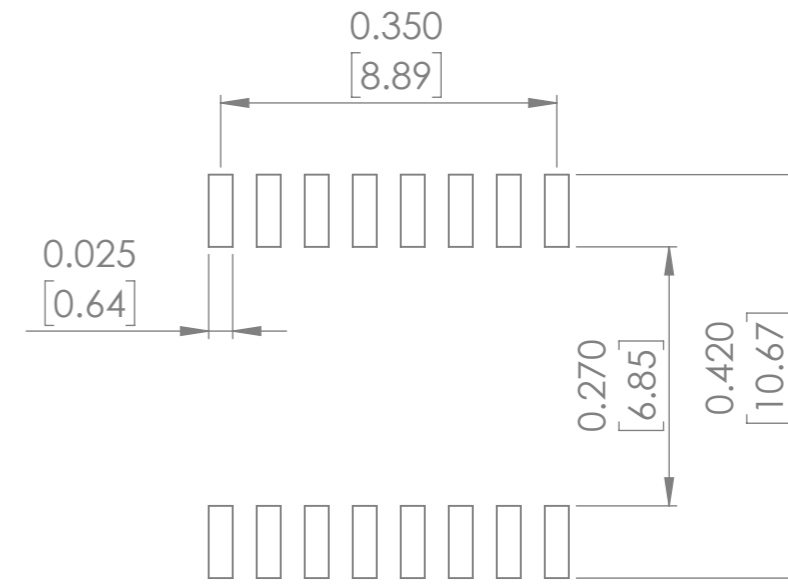
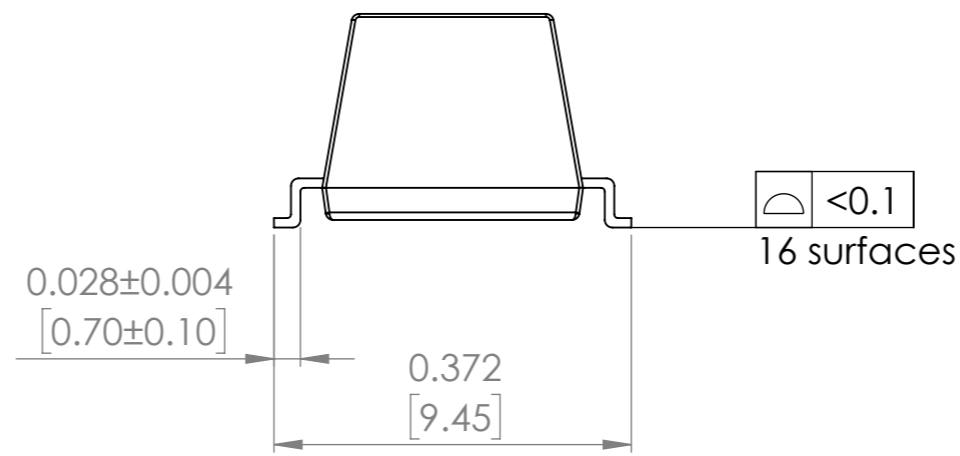


TOP VIEW

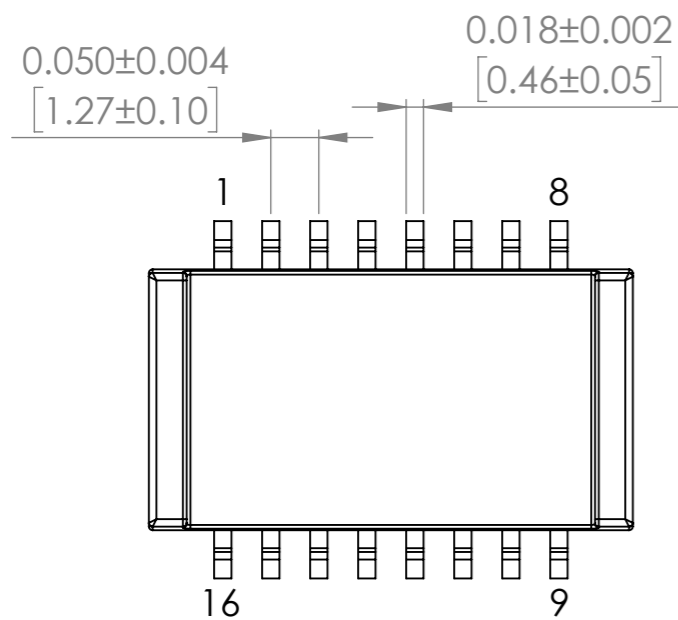
RECOMMENDED LAND PATTERN



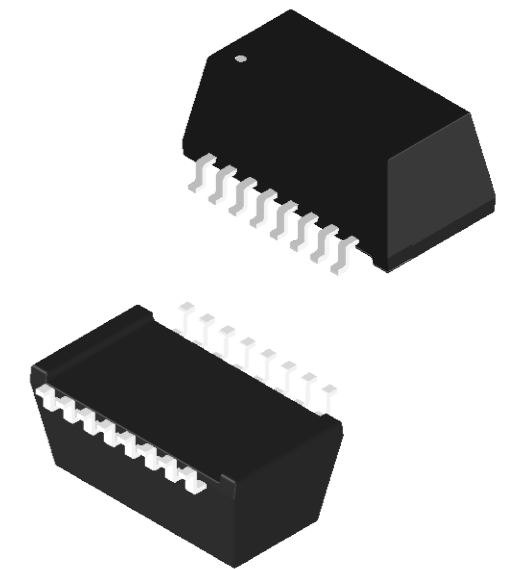
FRONT VIEW




SIDE VIEW



BOTTOM VIEW



NOTE:
UNLESS OTHERWISE SPECIFIED, ALL TOLERANCES ARE ± 0.25

DO NOT SCALE DRAWING		REVISION	-
 <i>The Power of Linking Together</i>			
5101 Hidden Creek Lane, Spicewood Texas-78669			
TITLE:			
DWG NO.		Package 2: 16-Pin	A3
SCALE: 5:1		SHEET 1 OF 1	