

750kHz – 800MHz Low Phase Noise Multiplier XO

Universal Low Phase Noise IC's

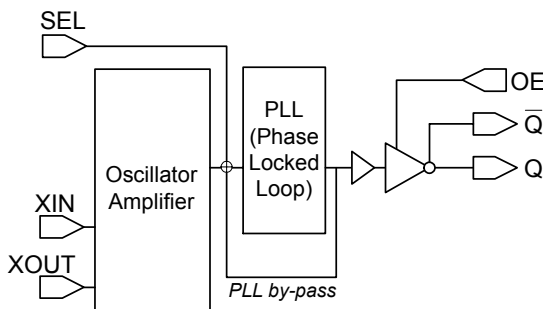
FEATURES

- Selectable 750kHz to 800MHz range.
- Low phase noise output (@ 10kHz frequency offset, -140dBc/Hz for 19.44MHz, -127dBc/Hz for 106.25MHz, -125dBc/Hz for 155.52MHz, -110dBc/Hz for 622.08MHz).
- CMOS (ABX0237), PECL (ABX0235 and ABX0238) or LVDS (ABX0239) output.
- 12 to 25MHz crystal input.
- No external load capacitor required.
- Output Enable selector.
- Selectable 1/16 to 32x frequency multiplier.
- 3.3V operation.
- Available in 16-Pin (TSSOP or 3x3mm QFN).

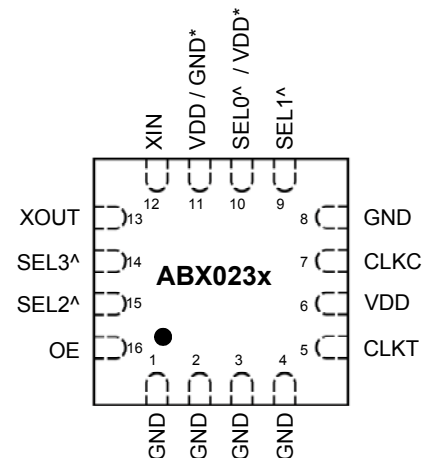
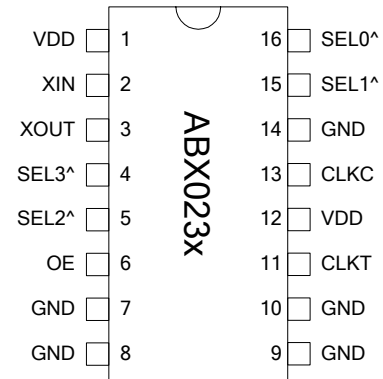
DESCRIPTION

The ABX0235 (PECL with inverted OE), ABX0237 (CMOS), ABX0238 (PECL), and ABX0239 (LVDS) are high performance and low phase noise XO IC chips. They provide phase noise performance as low as -125dBc at 1kHz offset (at 155MHz) and a typical RMS jitter of 4pS RMS (at 155MHz). They accept fundamental parallel resonant mode crystals from 12 to 25MHz.

BLOCK DIAGRAM



PIN CONFIGURATION (Top View)



^: Internal pull-up

*: On 3x3 package, ABX0235/38 do not have SEL0 available: Pin 10 is VDD, pin 11 is GND. However, ABX0237/39 have SEL0 (pin 10), and pin 11 is VDD. See pin assignment table for details.

OUTPUT ENABLE LOGICAL LEVELS

Part #	OE	State
ABX0238	0 (Default)	Output enabled
	1	Tri-state
ABX0235 ABX0237 ABX0239	0	Tri-state
	1 (Default)	Output enabled

OE input: Logical states defined by PECL levels for ABX0238
Logical states defined by CMOS levels for
ABX0235/37/39

750kHz – 800MHz Low Phase Noise Multiplier XO

Universal Low Phase Noise IC's

FREQUENCY SELECTION TABLE

SEL3	SEL2	SEL1	SEL0	Selected Multiplier
0	0	1	1	Fin x 32
0	1	1	0	Fin / 8
0	1	1	1	Fin x 2
1	0	0	1	Fin / 2
1	0	1	0	Fin / 16
1	0	1	1	Fin x 4
1	1	0	0	Fin / 4
1	1	0	1	Fin x 8
1	1	1	0	Fin x 16
1	1	1	1	No multiplication

Note: SEL0 is not available (always "1") for ABX0235 and ABX0238 in 3x3mm package

PIN DESCRIPTIONS ABX0235 and ABX0238 (see next page of ABX0237/39)

Name	TSSOP Pin number	3x3mm QFN Pin number	Type	Description
XIN	2	12	I	Crystal input. See Crystal Specifications on page 3.
XOUT	3	13	I	Crystal output. See Crystal Specifications on page 3.
OE	6	16	I	Output enable pin (see OE logic state table on page 1).
GND	7,8,9,10,14	1,2,3,4,8,11	P	Ground.
CLKT	11	5	O	True output PECL
CLKC	13	7	O	Complementary output PECL.
SEL0	16	Not available	I	Multiplier selector pins. These pins have an internal pull-up that will default SEL to '1' when not connected to GND.
SEL1	15	9	I	
SEL2	5	15	I	
SEL3	4	14	I	
VDD	1, 12	6,10	P	Power Supply.

750kHz – 800MHz Low Phase Noise Multiplier XO

Universal Low Phase Noise IC's

PIN DESCRIPTIONS ABX0237/39 (see previous page of ABX0235/38)

Name	TSSOP Pin number	3x3mm QFN Pin number	Type	Description
XIN	2	12	I	Crystal input. See Crystal Specifications on page 3.
XOUT	3	13	I	Crystal output. See Crystal Specifications on page 3.
OE	6	16	I	Output enable pin (see OE logic state table on page 1).
GND	7,8,9,10,14	1,2,3,4,8	P	Ground.
CLKT	11	5	O	True output LVDS (ABX0239) (N/C for ABX0237)
CLKC	13	7	O	Complementary output LVDS (ABX0239) (CMOS out for ABX0237).
SEL0	16	10	I	Multiplier selector pins. These pins have an internal pull-up that will default SEL to '1' when not connected to GND.
SEL1	15	9	I	
SEL2	5	15	I	
SEL3	4	14	I	
VDD	1, 12	6,11	P	Power Supply.

ELECTRICAL SPECIFICATIONS

1. Absolute Maximum Ratings

PARAMETERS	SYMBOL	MIN.	MAX.	UNITS
Supply Voltage	V_{DD}		4.6	V
Input Voltage, dc	V_I	-0.5	$V_{DD}+0.5$	V
Output Voltage, dc	V_O	-0.5	$V_{DD}+0.5$	V
Storage Temperature	T_S	-65	150	°C
Ambient Operating Temperature*	T_A	-40	85	°C
Junction Temperature	T_J		125	°C
Lead Temperature (soldering, 10s)			260	°C
ESD Protection, Human Body Model			2	kV

Exposure of the device under conditions beyond the limits specified by Maximum Ratings for extended periods may cause permanent damage to the device and affect product reliability. These conditions represent a stress rating only, and functional operations of the device at these or any other conditions above the operational limits noted in this specification is not implied.

* Note: Operating Temperature is guaranteed by design for all parts (COMMERCIAL and INDUSTRIAL), but tested for COMMERCIAL grade only.

2. Crystal Specifications

PARAMETERS	SYMBOL	CONDITIONS	MIN.	TYP.	MAX.	UNITS
Crystal Resonator Frequency	F_{XIN}	Parallel Fundamental Mode	12		25	MHz
Crystal Loading Rating	C_L (xtal)			20		pF
Recommended ESR	R_E	AT cut			30	Ω

750kHz – 800MHz Low Phase Noise Multiplier XO

Universal Low Phase Noise IC's

3. General Electrical Specifications

PARAMETERS	SYMBOL	CONDITIONS	MIN.	TYP.	MAX.	UNITS	
Supply Current, Dynamic (with Loaded Outputs)	I _{DD}	PECL/LVDS/CMOS	F _{out} <24MHz			25/25/15	mA
			24MHz<F _{out} <96MHz			65/45/30	
			96MHz<F _{out} <800MHz			100/80/40	
Operating Voltage	V _{DD}		2.97		3.63	V	
Output Clock Duty Cycle		@ 50% V _{DD} (CMOS)	45	50	55	%	
		@ 1.25V (LVDS)	45	50	55		
		@ V _{DD} – 1.3V (PECL)	45	50	55		
Short Circuit Current				±50		mA	

4. Jitter Specifications

PARAMETERS	CONDITIONS	FREQUENCY	MIN.	TYP.	MAX.	UNITS
Period jitter RMS ¹	With capacitive decoupling between VDD and GND. Over 10,000 cycles.	19.44MHz		2.2		ps
		77.76MHz		3.5		
		155.52MHz		4.3		
		622.08MHz		5.0		
Period jitter Peak-to-Peak ¹	With capacitive decoupling between VDD and GND. Over 10,000 cycles.	19.44MHz		17		ps
		77.76MHz		25		
		155.52MHz		27		
		622.08MHz		35		
Integrated jitter RMS ²	Integrated 12 kHz to 20 MHz	155.52MHz		2.6	4	ps
		622.08MHz		2.5	4	

5. Phase Noise Specifications

PARAMETERS	FREQUENCY	@10Hz	@100Hz	@1kHz	@10kHz	@100kHz	UNITS
Phase Noise ² relative to carrier (typical)	19.44MHz	-80	-108	-132	-142	-150	dBc/Hz
	77.76MHz	-72	-103	-122	-130	-125	
	155.52MHz	-65	-95	-120	-125	-121	
	622.08MHz	-55	-85	-109	-115	-110	

6. CMOS Electrical Characteristics

PARAMETERS	SYMBOL	CONDITIONS	MIN.	TYP.	MAX.	UNITS
Output drive current	I _{OH}	V _{OH} = V _{DD} -0.4V, V _{DD} =3.3V	10			mA
	I _{OL}	V _{OL} = 0.4V, V _{DD} = 3.3V	10			mA
Output Clock Rise/Fall Time		0.3V ~ 3.0V with 15 pF load		2.4		ns

750kHz – 800MHz Low Phase Noise Multiplier XO

Universal Low Phase Noise IC's

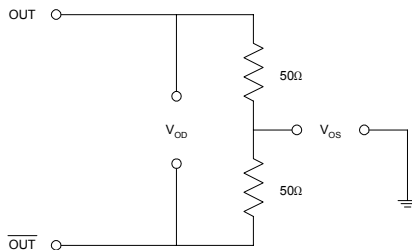
7. LVDS Electrical Characteristics

PARAMETERS	SYMBOL	CONDITIONS	MIN.	TYP.	MAX.	UNITS
Output Differential Voltage	V_{OD}	$R_L = 100\ \Omega$ (see figure)	247	355	454	mV
V_{DD} Magnitude Change	ΔV_{OD}		-50		50	mV
Output High Voltage	V_{OH}			1.4	1.6	V
Output Low Voltage	V_{OL}		0.9	1.1		V
Offset Voltage	V_{OS}		1.125	1.2	1.375	V
Offset Magnitude Change	ΔV_{OS}		0	3	25	mV
Power-off Leakage	I_{OXD}	$V_{out} = V_{DD}$ or GND $V_{DD} = 0V$		± 1	± 10	μA
Output Short Circuit Current	I_{OSD}			-5.7	-8	mA

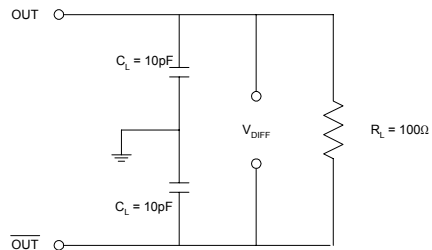
8. LVDS Switching Characteristics

PARAMETERS	SYMBOL	CONDITIONS	MIN.	TYP.	MAX.	UNITS
Differential Clock Rise Time	t_r	$R_L = 100\ \Omega$ $C_L = 10\ pF$ (see figure)	0.2	0.7	1.0	ns
Differential Clock Fall Time	t_f		0.2	0.7	1.0	ns

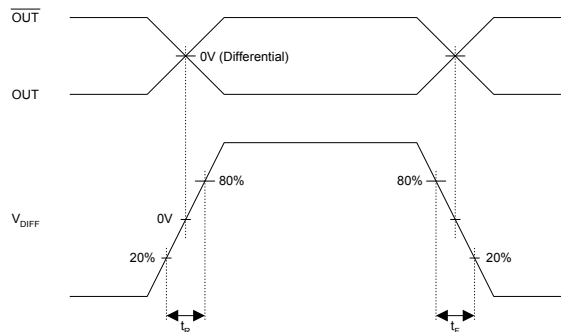
LVDS Levels Test Circuit



LVDS Switching Test Circuit



LVDS Transistion Time Waveform



750kHz – 800MHz Low Phase Noise Multiplier XO

Universal Low Phase Noise IC's

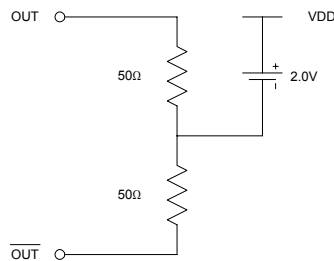
9. PECL Electrical Characteristics

PARAMETERS	SYMBOL	CONDITIONS	MIN.	MAX.	UNITS
Output High Voltage	V_{OH}	$R_L = 50 \Omega$ to $(V_{DD} - 2V)$ (see figure)	$V_{DD} - 1.025$		V
Output Low Voltage	V_{OL}			$V_{DD} - 1.620$	V

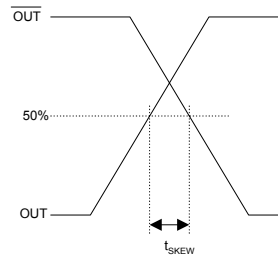
10. PECL Switching Characteristics

PARAMETERS	SYMBOL	CONDITIONS	MIN.	TYP.	MAX.	UNITS
Clock Rise Time	t_r	0.8V ~ 2.0V			1.5	ns
Clock Fall Time	t_f	2.0V ~ 0.8V			1.5	ns
Duty Cycle		Measured @ 1.4V	40	50	60	%

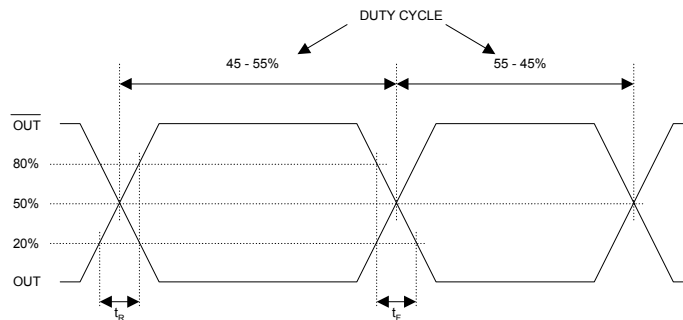
PECL Levels Test Circuit



PECL Output Skew



PECL Transition Time Waveform

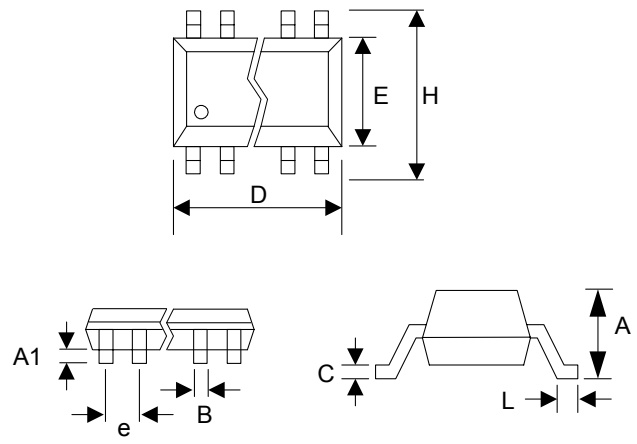


750kHz – 800MHz Low Phase Noise Multiplier XO

Universal Low Phase Noise IC's

PACKAGE INFORMATION

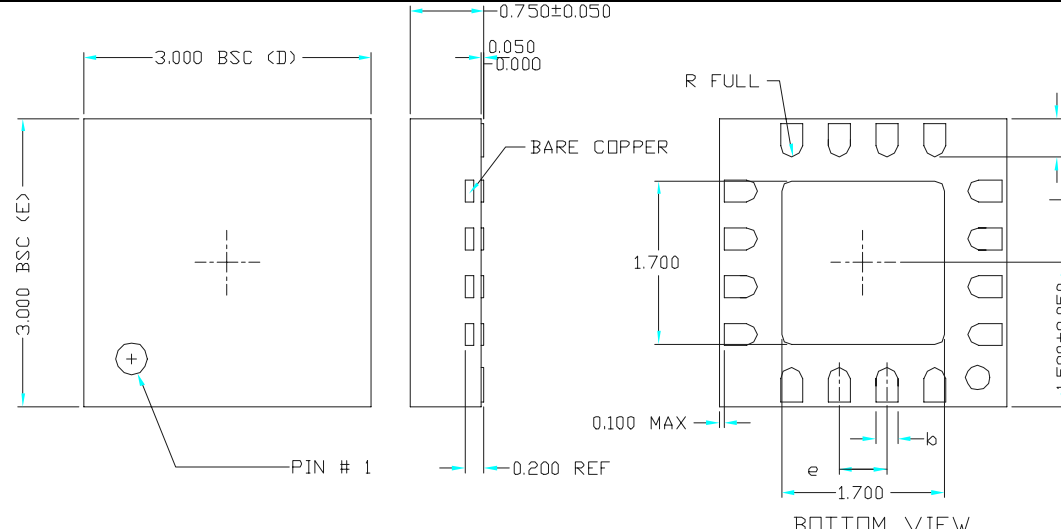
16 PIN TSSOP (mm)		
Symbol	Min.	Max.
A	-	1.20
A1	0.05	0.15
B	0.19	0.30
C	0.09	0.20
D	4.90	5.10
E	4.30	4.50
H	6.40 BSC	
L	0.45	0.75
e	0.65 BSC	



3x3mm QFN

VARIATIONS:

SYMBOL	16 LD		
	MIN	NOM	MAX
e	0.50 BSC		
b	0.18	0.23	0.30
L	0.30	0.40	0.50
ND	4		
NE	4		



750kHz – 800MHz Low Phase Noise Multiplier XO

Universal Low Phase Noise IC's

ORDERING INFORMATION

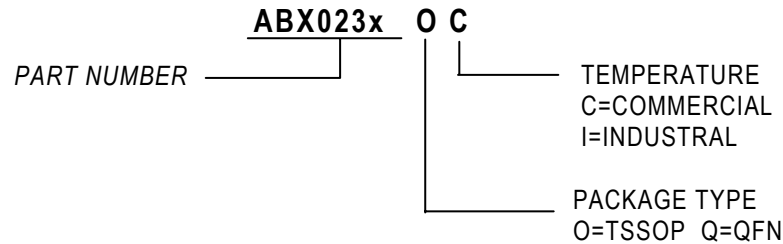
For part ordering, please contact our Sales Department:

30332 Esperanza., Rancho Santa Margarita, Ca 92688

Ph: 949-546-8000 Fax: 949-546-8001

PART NUMBER

The order number for this device is a combination of the following:
 Device number, Package type and Operating temperature range



<u>Order Number</u>	<u>Marking</u>	<u>Package Option</u>
ABX0235OC-T	ABX0235OC	TSSOP - Tape and Reel
ABX0235OC	ABX0235OC	TSSOP – Tube
ABX0235QC-T	ABX0235QC	QFN - Tape and Reel
ABX0235QC	ABX0235QC	QFN – Tube
ABX0237OC-T	ABX0237OC	TSSOP - Tape and Reel
ABX0237OC	ABX0237OC	TSSOP – Tube
ABX0237QC-T	ABX0237QC	QFN - Tape and Reel
ABX0237QC	ABX0237QC	QFN – Tube
ABX0238OC-T	ABX0238OC	TSSOP - Tape and Reel
ABX0238OC	ABX0238OC	TSSOP – Tube
ABX0238QC-T	ABX0238QC	QFN - Tape and Reel
ABX0238QC	ABX0238QC	QFN – Tube
ABX0239OC-T	ABX0239OC	TSSOP - Tape and Reel
ABX0239OC	ABX0239OC	TSSOP – Tube
ABX0239QC-T	ABX0239QC	QFN - Tape and Reel
ABX0239QC	ABX0239QC	QFN - Tube

Abrakon Corporation, reserves the right to make changes in its products or specifications, or both at any time without notice. The information furnished by Abracon is believed to be accurate and reliable. However, Abracon makes no guarantee or warranty concerning the accuracy of said information and shall not be responsible for any loss or damage of whatever nature resulting from the use of, or reliance upon this product.

LIFE SUPPORT POLICY: Abracon's products are not authorized for use as critical components in life support devices or systems without the express written approval of the President of Abracon Corporation.