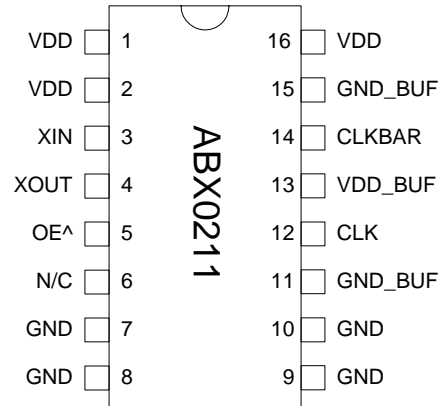


## 96MHz – 200MHz Low Phase Noise PECL XO (12 – 25MHz Crystals)

### FEATURES

- Low phase noise output for the 96MHz to 200MHz range (-134 dBc at 10kHz offset).
- PECL output.
- 12 to 25MHz crystal input.
- Integrated crystal load capacitor: no external load capacitor required.
- Output Enable selector.
- 3.3V operation.
- Available in 16 Pin TSSOP.

### PIN CONFIGURATION



Note: ^ denotes internal pull up

$$F_{OUT} = F_{XIN} \times 8$$

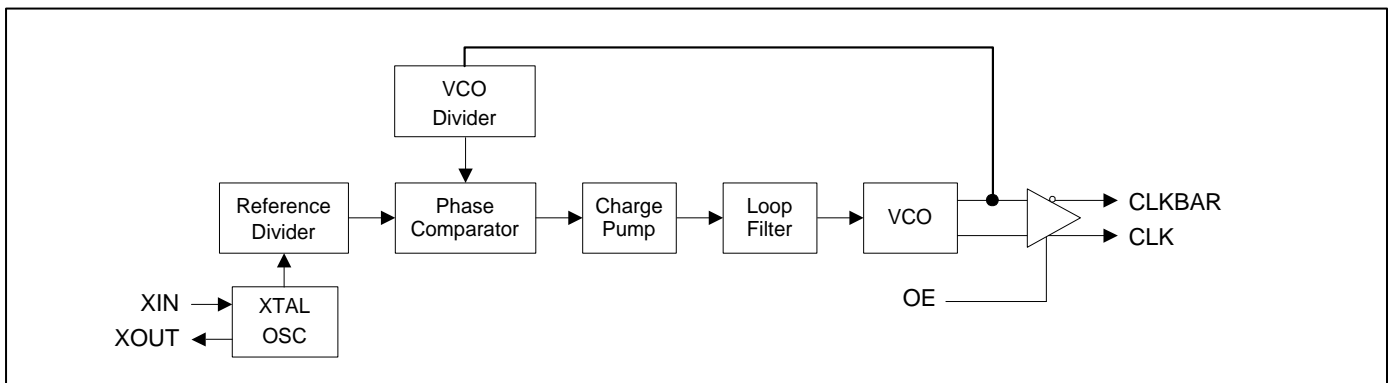
### DESCRIPTION

The ABX0211 is a monolithic low jitter and low phase noise (-134dBc/Hz @ 10kHz offset) XO IC with PECL output, for 96MHz to 200MHz output range. It provides a low phase noise reference frequency using a low cost crystal.

The chip delivers an output frequency of  $F_{XIN} \times 8$ . This makes the ABX0211 ideal for a wide range of applications, including 155.52MHz for SONET.

OE (Pin 5)	Output State
0	Tri-state
1 (Default)	Output enabled

### BLOCK DIAGRAM



## 96MHz – 200MHz Low Phase Noise PECL XO (12 – 25MHz Crystals)

### PIN DESCRIPTIONS

Name	Number	Type	Description
VDD	1,2,16	P	Power supply.
XIN	3	I	Crystal input. See Crystal Specifications on page 2.
XOUT	4	I	Crystal output. See Crystal Specifications on page 2.
OE	5	I	Output enable input. Disables (tri-state) output when low. Internal pull-up enables output by default if pin is not connected to low.
N/C	6	-	Not connected.
GND	7,8,9,10	P	Ground.
GND_BUF	11,15	P	Ground for output buffers.
CLK	12	O	True clock output.
VDD_BUF	13	P	Power supply for output buffers.
CLKB	14	O	Complementary clock output.

### ELECTRICAL SPECIFICATIONS

#### 1. Absolute Maximum Ratings

PARAMETERS	SYMBOL	MIN.	MAX.	UNITS
Supply Voltage	$V_{DD}$		4.6	V
Input Voltage, dc	$V_I$	-0.5	$V_{DD}+0.5$	V
Output Voltage, dc	$V_O$	-0.5	$V_{DD}+0.5$	V
Storage Temperature	$T_S$	-65	150	°C
Ambient Operating Temperature*	$T_A$	-40	85	°C
Junction Temperature	$T_J$		125	°C
Lead Temperature (soldering, 10s)			260	°C
ESD Protection, Human Body Model			2	kV

Exposure of the device under conditions beyond the limits specified by Maximum Ratings for extended periods may cause permanent damage to the device and affect product reliability. These conditions represent a stress rating only, and functional operations of the device at these or any other conditions above the operational limits noted in this specification is not implied.

\* Note: Operating Temperature is guaranteed by design for all parts (COMMERCIAL and INDUSTRIAL), but tested for COMMERCIAL grade only.

#### 2. Crystal Specifications

PARAMETERS	SYMBOL	CONDITIONS	MIN.	TYP.	MAX.	UNITS
Crystal Resonator Frequency	$F_{XIN}$	Parallel Fundamental Mode	12		25	MHz
Crystal Loading Rating	$C_L (xtal)$			20		pF
Recommended ESR	$R_E$	AT cut			30	$\Omega$

## 96MHz – 200MHz Low Phase Noise PECL XO (12 – 25MHz Crystals)

### 3. General Electrical Specifications

PARAMETERS	SYMBOL	CONDITIONS	MIN.	TYP.	MAX.	UNITS
Supply Current, Dynamic (with Loaded Outputs)	I <sub>DD</sub>	PECL			80	mA
Operating Voltage	V <sub>DD</sub>		2.97		3.63	V
Output Clock Duty Cycle		@ V <sub>DD</sub> – 1.3V (PECL)	45	50	55	%
Short Circuit Current				±50		mA

### 4. Jitter and Phase Noise Specification

PARAMETERS	CONDITIONS	MIN.	TYP.	MAX.	UNITS
Period jitter RMS	With capacitive decoupling between VDD and GND.		4		ps
Accumulated jitter RMS	With capacitive decoupling between VDD and GND. Over 10,000 cycles.		9		ps
Phase Noise relative to carrier	155MHz @100Hz offset		-95		dBc/Hz
Phase Noise relative to carrier	155MHz @1kHz offset		-120		dBc/Hz
Phase Noise relative to carrier	155MHz @10kHz offset		-125		dBc/Hz
Phase Noise relative to carrier	155MHz @100kHz offset		-121		dBc/Hz

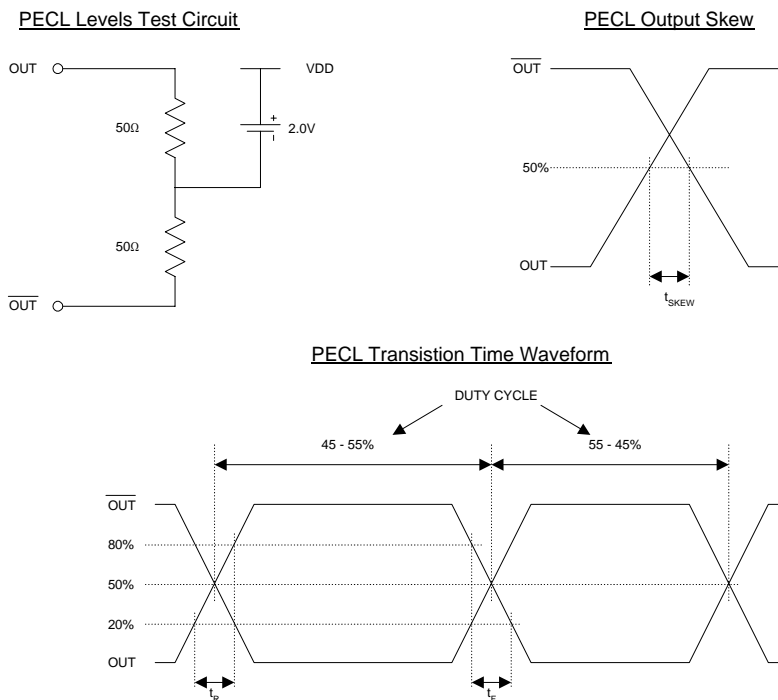
## 96MHz – 200MHz Low Phase Noise PECL XO (12 – 25MHz Crystals)

### 5. PECL Electrical Characteristics

PARAMETERS	SYMBOL	CONDITIONS	MIN.	MAX.	UNITS
Output High Voltage	$V_{OH}$	$R_L = 50 \Omega$ to $(V_{DD} - 2V)$ (see figure)	$V_{DD} - 1.025$		V
Output Low Voltage	$V_{OL}$			$V_{DD} - 1.620$	V

### 6. PECL Switching Characteristics

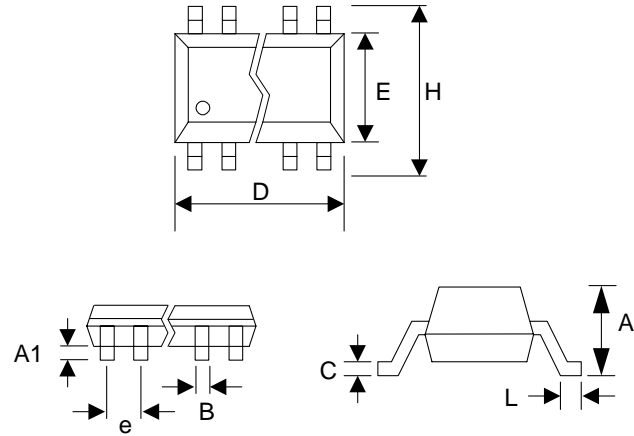
PARAMETERS	SYMBOL	CONDITIONS	MIN.	TYP.	MAX.	UNITS
Clock Rise Time	$t_r$	@20/80% - PECL		0.6	1.5	ns
Clock Fall Time	$t_f$	@80/20% - PECL		0.5	1.5	ns



## 96MHz – 200MHz Low Phase Noise PECL XO (12 – 25MHz Crystals)

### PACKAGE INFORMATION

16 PIN TSSOP ( mm )		
Symbol	Min.	Max.
A	-	1.20
A1	0.05	0.15
B	0.19	0.30
C	0.09	0.20
D	4.90	5.10
E	4.30	4.50
H	6.40 BSC	
L	0.45	0.75
e	0.65 BSC	



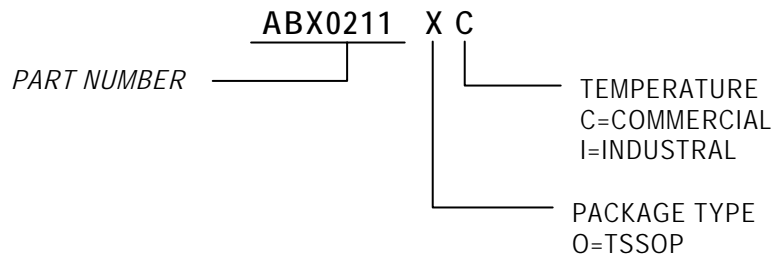
### ORDERING INFORMATION

**For part ordering, please contact our Sales Department:**

30332 Esperanza., Rancho Santa Margarita, Ca 92688  
Ph: 949-546-8000 Fax: 949-546-8001

#### PART NUMBER

The order number for this device is a combination of the following:  
Device number, Package type and Operating temperature range



Order Number	Marking	Package Option
ABX0211OC-T	ABX0211OC	TSSOP - Tape and Reel
ABX0211OC	ABX0211OC	TSSOP - Tube

*Abrakon Corporation, reserves the right to make changes in its products or specifications, or both at any time without notice. The information furnished by Abrakon is believed to be accurate and reliable. However, Abrakon makes no guarantee or warranty concerning the accuracy of said information and shall not be responsible for any loss or damage of whatever nature resulting from the use of, or reliance upon this product.*

**LIFE SUPPORT POLICY:** Abrakon's products are not authorized for use as critical components in life support devices or systems without the express written approval of the President of Abrakon Corporation.