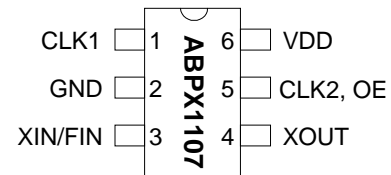


Advanced Programmable Clock

FEATURES

- Advanced programmable PLL design
- Very low Jitter and Phase Noise (30-70ps Pk-Pk typical)
- Up to 2 programmable outputs
- Output frequency up to 75MHz CMOS
- Programmable Output Enable (OE) pin
- Accepts Crystal clock input
 - Fundamental crystal: 10MHz-30MHz
 - Reference input: Up to 100MHz
- Single 2.5V or 3.3V \pm 10% power supply
- Operating temperature range from -40°C to 85°C
- Available in 6-pin SOT Green/RoHS compliant Pkg.

PIN CONFIGURATION



SOT-23

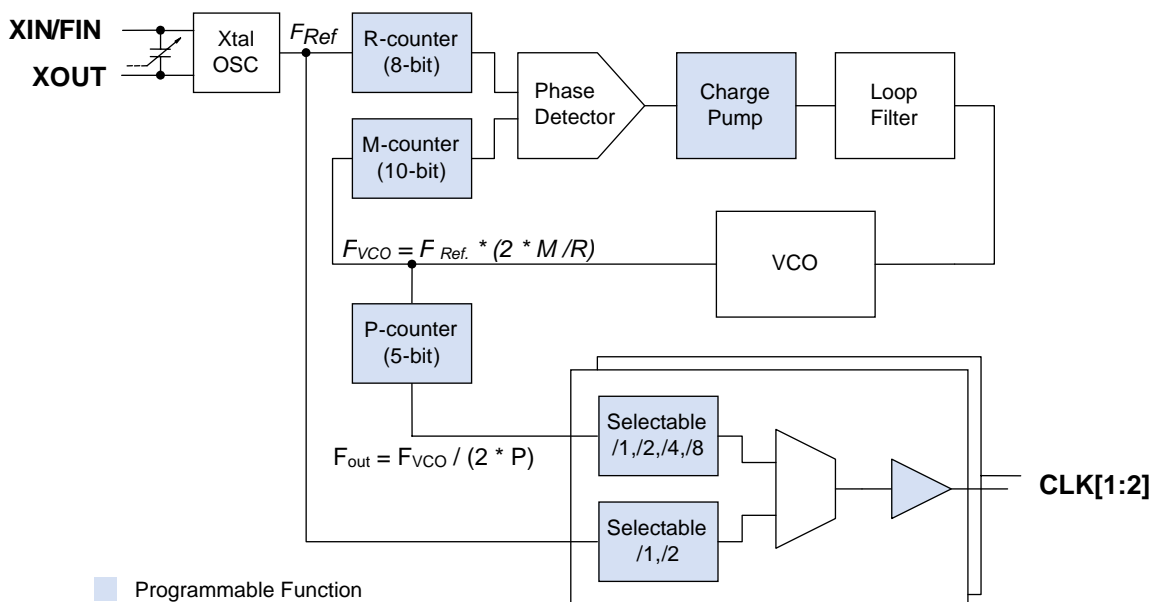
DESCRIPTION

The ABPX1107 is a low-cost general purpose frequency synthesizer and a member of Abracon's Advanced Programmable Clock (APC) family. Abracon's ABPX1107 offers generating two system clock frequencies of up to 75MHz from a 10-30MHz fundamental crystal or a Reference clock source. One clock output can be programmed to operate as OE or be used as a Reference output. Cascading of the ICs to produce additional clock frequencies is also supported.

PIN DESCRIPTION

Name	Pin #	Type	Description
CLK1	1	O	Programmable Clock Output
GND	2	P	GND connection
XIN/FIN	3	I	Crystal or Reference input pin
XOUT	4	O	Crystal output pin
CLK2, OE	5	B	Programmable Clock or Reference Output, or OE
VDD	6	P	VDD connection (2.25~3.63V)

BLOCK DIAGRAM



ELECTRICAL SPECIFICATIONS

ABSOLUTE MAXIMUM RATINGS

PARAMETERS	SYMBOL	MIN.	MAX.	UNITS
Supply Voltage Range	V_{DD}	-0.5	4.6	V
Input Voltage Range	V_I	-0.5	$V_{DD}+0.5$	V
Output Voltage Range	V_O	-0.5	$V_{DD}+0.5$	V
Soldering Temperature (Green package)			260	°C
Data Retention @ 85°C		10		Year
Storage Temperature	T_S	-65	150	°C
Ambient Operating Temperature		-40	85	°C

Exposure of the device under conditions beyond the limits specified by Maximum Ratings for extended periods may cause permanent damage to the device and affect product reliability. These conditions represent a stress rating only, and functional operations of the device at these or any other conditions above the operational limits noted in this specification is not implied.

AC SPECIFICATIONS

PARAMETERS	CONDITIONS	MIN.	TYP.	MAX.	UNITS
Crystal Input Frequency(XIN)	Fundamental Crystal	10		30	MHz
Input (FIN) Frequency				100	MHz
Input (FIN) Signal Amplitude	Internally AC coupled	0.9		V_{DD}	V_{pp}
Settling Time	At power-up (after V_{DD} increases over 1.62V)			10	ms
Output Rise Time	15pF Load, 10/90% V_{DD} , Standard drive		2.5	3.5	ns
	15pF Load, 10/90% V_{DD} , High drive		1.0	1.5	ns
Output Fall Time	15pF Load, 90/10% V_{DD} , Standard drive		2.5	3.5	ns
	15pF Load, 90/10% V_{DD} , High drive		1.0	1.5	ns
Duty Cycle	At $V_{DD}/2$	45	50	55	%
Period Jitter, peak-to-peak* (measured from 10,000 samples)	With capacitive decoupling between V_{DD} and GND. Operating only one output.		70		ps

* Note: Jitter performance depends on the programming parameters.

Advanced Programmable Clock

DC SPECIFICATIONS

PARAMETERS	SYMBOL	CONDITIONS	MIN.	TYP.	MAX.	UNITS
Supply Current, Dynamic, with Loaded Outputs	I _{DD}	At 10MHz, load=15pF			15	mA
		At 50MHz, load=15pF			30	mA
Operating Voltage	V _{DD}		2.25		3.63	V
Output Low Voltage	V _{OL}	I _{OL} = +4mA Standard drive			0.4	V
Output High Voltage	V _{OH}	I _{OH} = -4mA Standard drive	V _{DD} - 0.4			V
Output Current, Standard drive	I _{OSD}	V _{OL} = 0.4V, V _{OH} = 2.4V			10.7	mA
Output Current, High drive	I _{OHD}	V _{OL} = 0.4V, V _{OH} = 2.4V			24	mA
Short-circuit Current	I _S			±50		mA

CRYSTAL SPECIFICATIONS

PARAMETERS	SYMBOL	MIN.	TYP.	MAX.	UNITS
Fundamental Crystal Resonator Frequency	F _{XIN}	10		30	MHz
Crystal Loading Rating (The IC can be programmed for any value in this range.)	C _{L (xtal)}	5	16*	20	pF
Maximum Sustainable Drive Level				500	μW
Operating Drive Level			100		μW
Crystal Shunt Capacitance	C ₀			6	pF
Effective Series Resistance, Fundamental, 10-30MHz	ESR			30	Ω

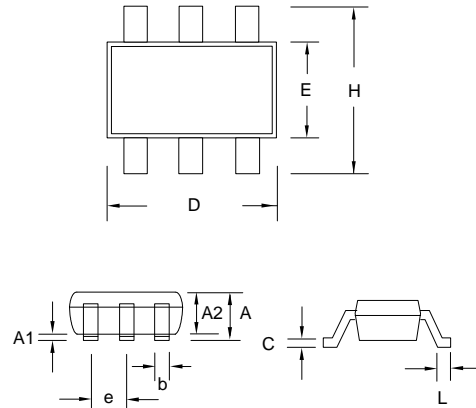
Note: C_L = 16pF is used when not specified. A detailed crystal specification document is also available for this part.

Advanced Programmable Clock

PACKAGE DRAWINGS (GREEN PACKAGE COMPLIANT)

SOT-23 6L

Symbol	Dimension in MM	
	Min.	Max.
A	1.05	1.35
A1	0.05	0.15
A2	1.00	1.20
B	0.30	0.50
C	0.08	0.20
D	2.80	3.00
E	1.50	1.70
H	2.60	3.0
L	0.35	0.55
e	0.95 BSC	

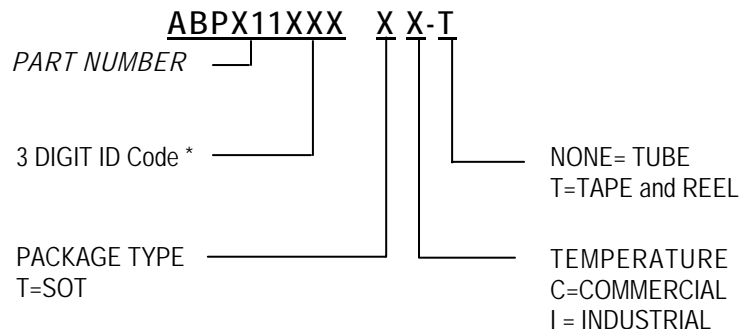


ORDERING INFORMATION

For part ordering, please contact our Sales Department:
 30332 Esperanza., Rancho Santa Margarita, Ca 92688
 Ph: 949-546-8000 Fax: 949-546-8001

PART NUMBER

The order number for this device is a combination of the following:
 Device number, Package type and Operating temperature range



- * Abracon will assign a unique 3-digit ID code for each approved programmed part number.
- * Abracon offers Green Package Only for this product family.

Part / Order Number*	Marking	Package Option
ABPX1107-XXXTC-T	C7XXX	6-Pin SOT-23 (Tape and Reel)

Abracon Corporation, reserves the right to make changes in its products or specifications, or both at any time without notice. The information furnished by Abracon is believed to be accurate and reliable. However, Abracon makes no guarantee or warranty concerning the accuracy of said information and shall not be responsible for any loss or damage of whatever nature resulting from the use of, or reliance upon this product.

LIFE SUPPORT POLICY: Abracon's products are not authorized for use as critical components in life support devices or systems without the express written approval of the President of Abracon Corporation.