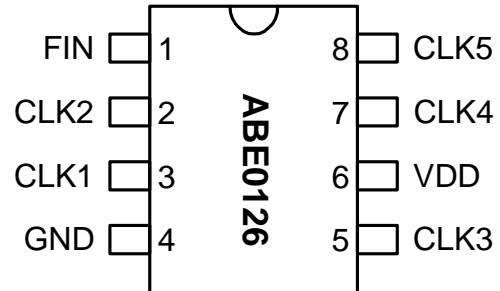


Low EMI Spread Spectrum Multiplier Clock

FEATURES

- Spread Spectrum clock with frequency range of 33 ~ 90MHz.
- Output frequency 1X the input frequency.
- Less than 250 ps skew between outputs.
- Less than 100 ps cycle - cycle jitter.
- $\pm 1.0\%$ Center Spread Modulation ($\pm 15\%$ tolerance).
- TTL/CMOS compatible outputs.
- 3.3V operation.
- Available in 8-Pin 150mil SOIC.

PIN CONFIGURATION

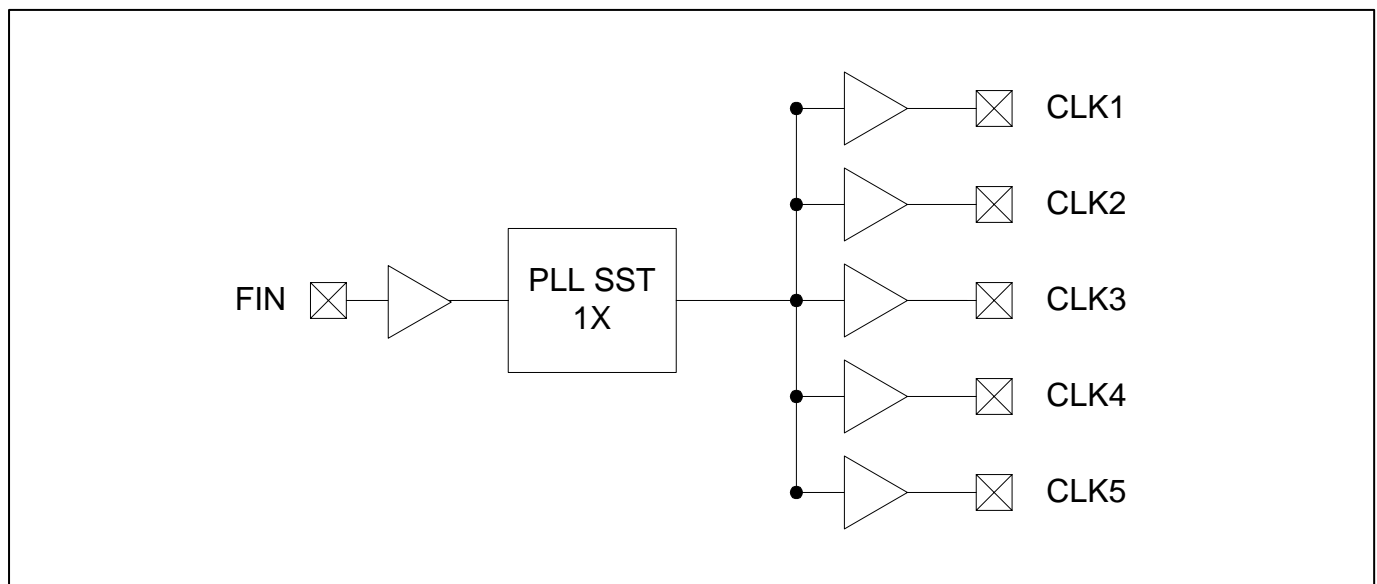


FIN = 33 ~ 90 Mhz

DESCRIPTION

The ABE0126 is a Spread Spectrum Clock Generator designed for the purpose of reducing EMI in high-speed digital systems. The device is designed to operate from 33 ~ 90MHz and provides five low-skew outputs with $\pm 1.0\%$ Center Spread Modulation.

BLOCK DIAGRAM



Low EMI Spread Spectrum Multiplier Clock

PIN DESCRIPTIONS

Name	Number	Type	Description
FIN	1	I	Input Clock Frequency. (33 ~ 90MHz)
CLK2	2	O	Buffered Clock Output. 1X the input frequency (FIN).
CLK1	3	O	Buffered Clock Output. 1X the input frequency (FIN).
GND	4	I	Ground.
CLK3	5	O	Buffered Clock Output. 1X the input frequency (FIN).
VDD	6	P	3.3V Power Supply.
CLK4	7	O	Buffered Clock Output. 1X the input frequency (FIN).
CLK5	8	O	Buffered Clock Output. 1X the input frequency (FIN).

ELECTRICAL SPECIFICATIONS

1. Absolute Maximum Ratings

PARAMETERS	SYMBOL	MIN.	MAX.	UNITS
Supply Voltage	V_{DD}		4.6	V
Input Voltage, dc	V_I	-0.5	$V_{DD}+0.5$	V
Output Voltage, dc	V_O	-0.5	$V_{DD}+0.5$	V
Storage Temperature	T_S	-65	150	°C
Ambient Operating Temperature*	T_A	-40	85	°C
Junction Temperature	T_J		125	°C
Lead Temperature (soldering, 10s)			260	°C
ESD Protection, Human Body Model			2	kV

Exposure of the device under conditions beyond the limits specified by Maximum Ratings for extended periods may cause permanent damage to the device and affect product reliability. These conditions represent a stress rating only, and functional operations of the device at these or any other conditions above the operational limits noted in this specification is not implied.

* Note: Operating Temperature is guaranteed by design for all parts (COMMERCIAL and INDUSTRIAL), but tested for COMMERCIAL grade only.

2. Electrical Characteristics

PARAMETERS	SYMBOL	CONDITIONS	MIN.	TYP.	MAX.	UNITS
Supply Voltage	V_{DD}		2.97		3.63	V
Input Low Voltage	V_{IL}				0.8	V
Input High Voltage	V_{IH}		2.0			V
Input Low Current	I_{IL}	$V_{IN} = 0V$		19	50.0	μA
Input High Current	I_{IH}	$V_{IN} = V_{DD}$		0.10	100.0	μA
Output Low Voltage	V_{OL}	$I_{OL} = 50\text{ mA}$		0.25	0.4	V
Output High Voltage	V_{OH}	$I_{OH} = 50\text{ mA}$	2.4	2.9		V
Supply Current	I_{DD}	Unloaded outputs at 75MHz, SEL inputs at V_{DD} or GND		30.0	40.0	mA

Low EMI Spread Spectrum Multiplier Clock

3. Timing Characteristics

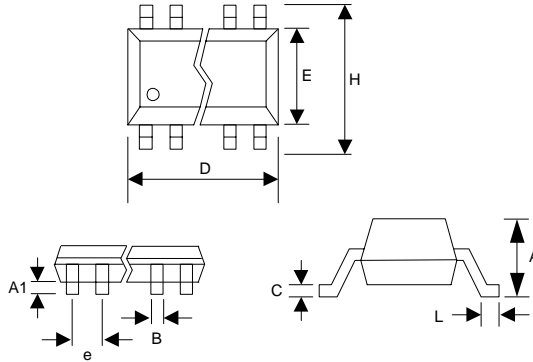
PARAMETERS	SYMBOL	CONDITIONS	MIN.	TYP.	MAX.	UNITS
Input Frequency	F_{IN}		33		90	MHz
Rise Time	T_r	Measured at 0.8V ~ 2.0V @ 3.3V	0.8	0.95	1.1	ns
Fall Time	T_f	Measured at 2.0V ~ 0.8V @ 3.3V	0.78	0.85	0.9	ns
Output Duty Cycle	D_T		45	50	55	%
Input to Output Delay			2		4	ns
Cycle to Cycle Jitter	$T_{cyc-cyc}$	Over output frequency range @ 3.3V			100	ps

Low EMI Spread Spectrum Multiplier Clock

PACKAGE INFORMATION

8 PIN Narrow SOIC (mm)

Symbol	SOIC	
	Min.	Max.
A	1.47	1.73
A1	0.10	0.25
B	0.33	0.51
C	0.19	0.25
D	4.80	4.95
E	3.80	4.00
H	5.80	6.20
L	0.38	1.27
e	1.27 BSC	



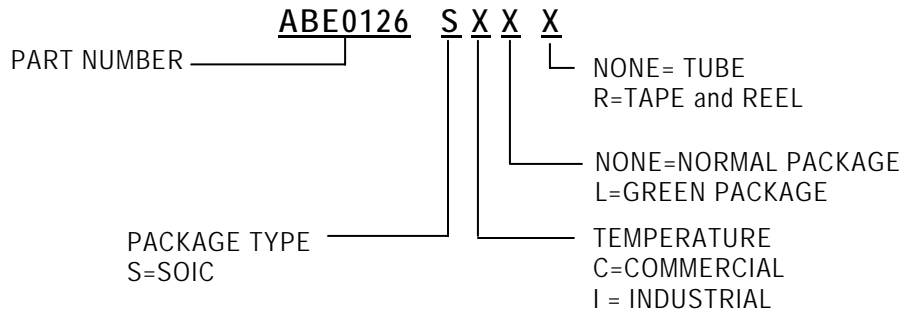
ORDERING INFORMATION

For part ordering, please contact our Sales Department:

30332 Esperanza., Rancho Santa Margarita, Ca 92688
Ph: 949-546-8000 Fax: 949-546-8001

PART NUMBER

The order number for this device is a combination of the following:
Device number, Package type and Operating temperature range



Order Number	Marking	Package Option
ABE0126SC-T	ABE0126SC	SOIC -Tape and Reel
ABE0126SC	ABE0126SC	SOIC -Tube
ABE0126SCL-T	ABE0126SCL	SOIC -Tape and Reel
ABE0126SCL	ABE0126SCL	SOIC -Tube

Abracon Corporation, reserves the right to make changes in its products or specifications, or both at any time without notice. The information furnished by Abracon is believed to be accurate and reliable. However, Abracon makes no guarantee or warranty concerning the accuracy of said information and shall not be responsible for any loss or damage of whatever nature resulting from the use of, or reliance upon this product.

LIFE SUPPORT POLICY: Abracon's products are not authorized for use as critical components in life support devices or systems without the express written approval of the President of Abracon Corporation.