

# 300 MHz ONE-PORT SAW RESONATOR

ASR300.00A01-SD02



RoHS  
Compliant



9.5 x  $\phi$ 3.0mm

## FEATURES:

- Low loss
- $\phi$ 3.0mm leaded package
- 50ohms termination

## APPLICATIONS:

- Wireless remote controller
- Mobile communication

## STANDARD SPECIFICATIONS:

### MAXIMUM RATINGS

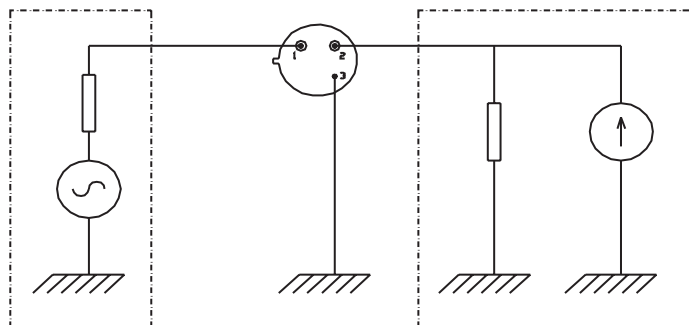
Item	Value
Operating Temperature Range	-40C to +85C
Storage Temperature Range	-45C to +85C
DC Voltage	10V
AC	10V (50Hz / 60Hz)
RF Power Dissipation	0 dBm

### ELECTRICAL CHARACTERISTICS

Item	Units	Minimum	Typical	Maximum
Center Frequency Fo	MHz	299.925	300.00	300.075
Insertion Loss	dB	--	1.5	2.5
Quality Factor				
Unloaded Q		--	11,000	--
50 $\Omega$ Loaded Q		--	2,000	--
Temperature Stability				
Turnover Temperature	$^{\circ}$ C	10	25	40.0
Freq. Temp.Coefficient	ppm/ $^{\circ}$ C <sup>2</sup>	--	0.032	--
Frequency Aging	ppm/yr	--	< $\pm$ 10	--
DC Insulation Resistance	M $\Omega$	1.0	--	--
RF Equivalent RLC model				
Motional Resistance R1	$\Omega$	--	12	19
Motional Inductance L1	$\mu$ H	--	94	--
Motional Capacitance C1	fF	--	2.90	--
Shunt Static Capacitance C0	pF	2.7	3.0	3.3

Test Temperature: 22 $^{\circ}$ C $\pm$ 2 $^{\circ}$ C  
 Terminating source impedance: 50 $\Omega$   
 Terminating load impedance: 50 $\Omega$

## TEST CIRCUIT



# 303 MHz ONE-PORT SMD SAW RESONATOR

ASR300.00A01-SD02

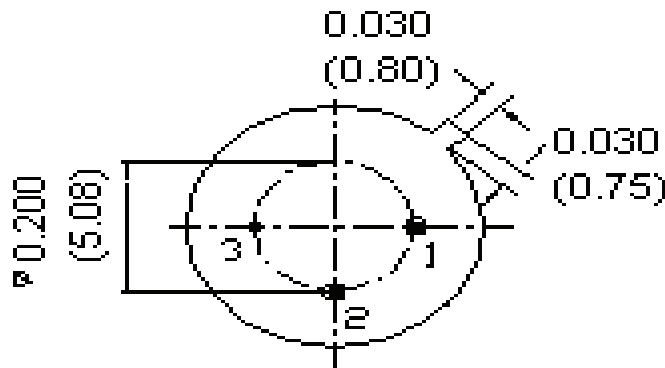
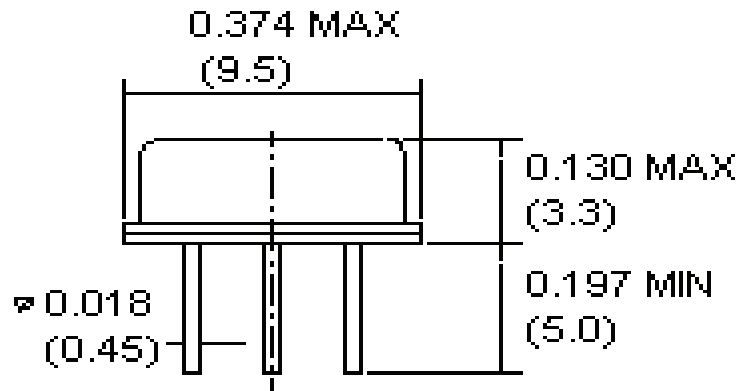


RoHS  
Compliant



9.5 x  $\phi$ 3.0mm

## OUTLINE DIMENSIONS:



Pin No.	Function
1	Input
2	Output
3	Ground

Dimension : mm

**NOTE:** Abracon manufactured products are intended for general commercial and industrial use. For applications requiring high reliability and/or presenting extreme operating environment, written consent & authorization from Abracon is required.

ABRACON IS  
ISO9001:2008  
CERTIFIED



Visit [www.abracon.com](http://www.abracon.com) for Terms & Conditions of Sale **Revised: 04.22.10**  
30332 Esperanza, Rancho Santa Margarita, California 92688  
tel 949-546-8000 | fax 949-546-8001 | [www.abracon.com](http://www.abracon.com)