

CERAMIC SURFACE MOUNT LOW PROFILE MICROPROCESSOR CRYSTAL

ABMM5



RoHS
Compliant



7.0 x 5.0 x 1.2 mm

FEATURES:

- Suitable for reflow; Superior heat-resistant glass sealing
- Low in height - suitable for thin equipment
- AT-strip cut offers a tight tolerance & stability

APPLICATIONS:

- Computers, Modems, Microprocessors
- Communication, Test equipment
- PCMCIA

STANDARD SPECIFICATIONS:

PARAMETERS

ABRACON P/N	ABMM5 Series
Frequency Range	8.0 MHz to 121.0 MHz
Operation Mode	AT-cut; Fundamental: 8.0MHz to 45MHz 3rd O/T: 36.0MHz to 121.0MHz
Operating Temperature	- 10°C to + 60°C (see options)
Storage Temperature	- 40°C to + 85°C
Frequency Tolerance	± 50 ppm max. (see options)
Frequency Stability over the Operating Temp. (Ref to +25°C)	± 50 ppm max. (see options)
Equivalent Series Resistance	See Table 1
Shunt Capacitance C ₀	7pF max.
Load Capacitance C _L	18pF (see options)
Drive Level	500µW max. ; 100µW typical
Aging at 25°C ± 3°C Per Year	± 5ppm max.
Insulation Resistance	500Mohms min at 100Vdc ± 15V

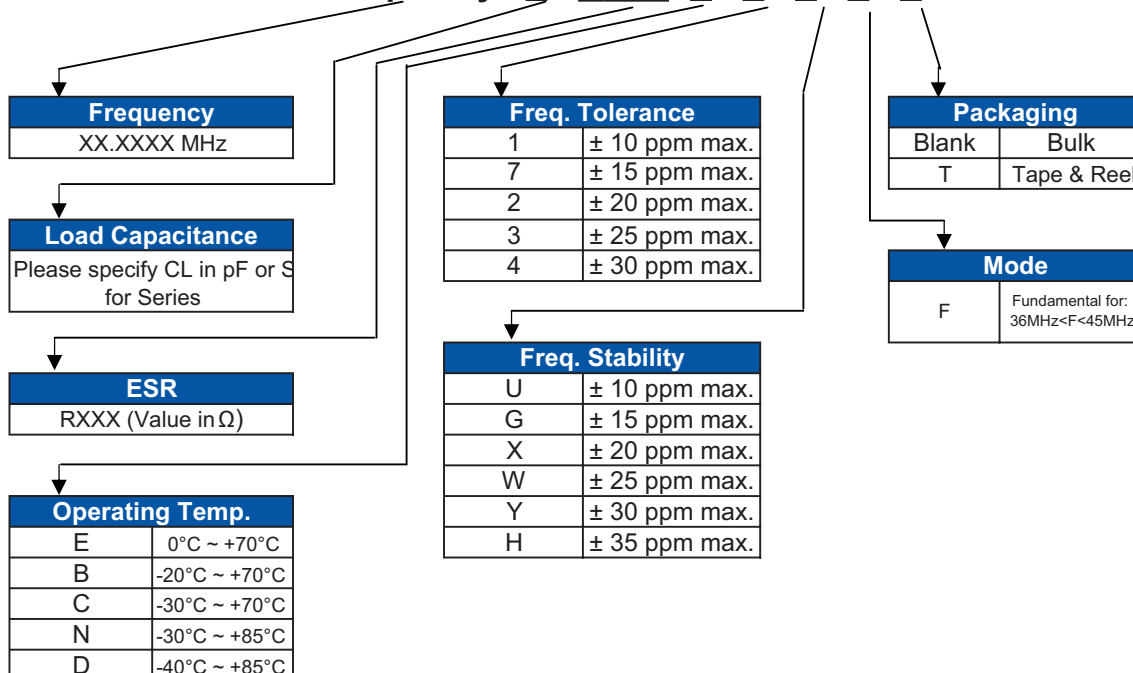
TABLE 1

Frequency (MHz)	ESR (Ω) max
8.000 - 45.000 (Fund.)	80
36.000 - 121.000 (3rd OT)	100

OPTIONS & PART IDENTIFICATION:

(Left blank if standard)

ABMM5 - Frequency - □ - R□□□ - □ - □ - □ - □ - □



CERAMIC SURFACE MOUNT LOW PROFILE MICROPROCESSOR CRYSTAL

ABMM5

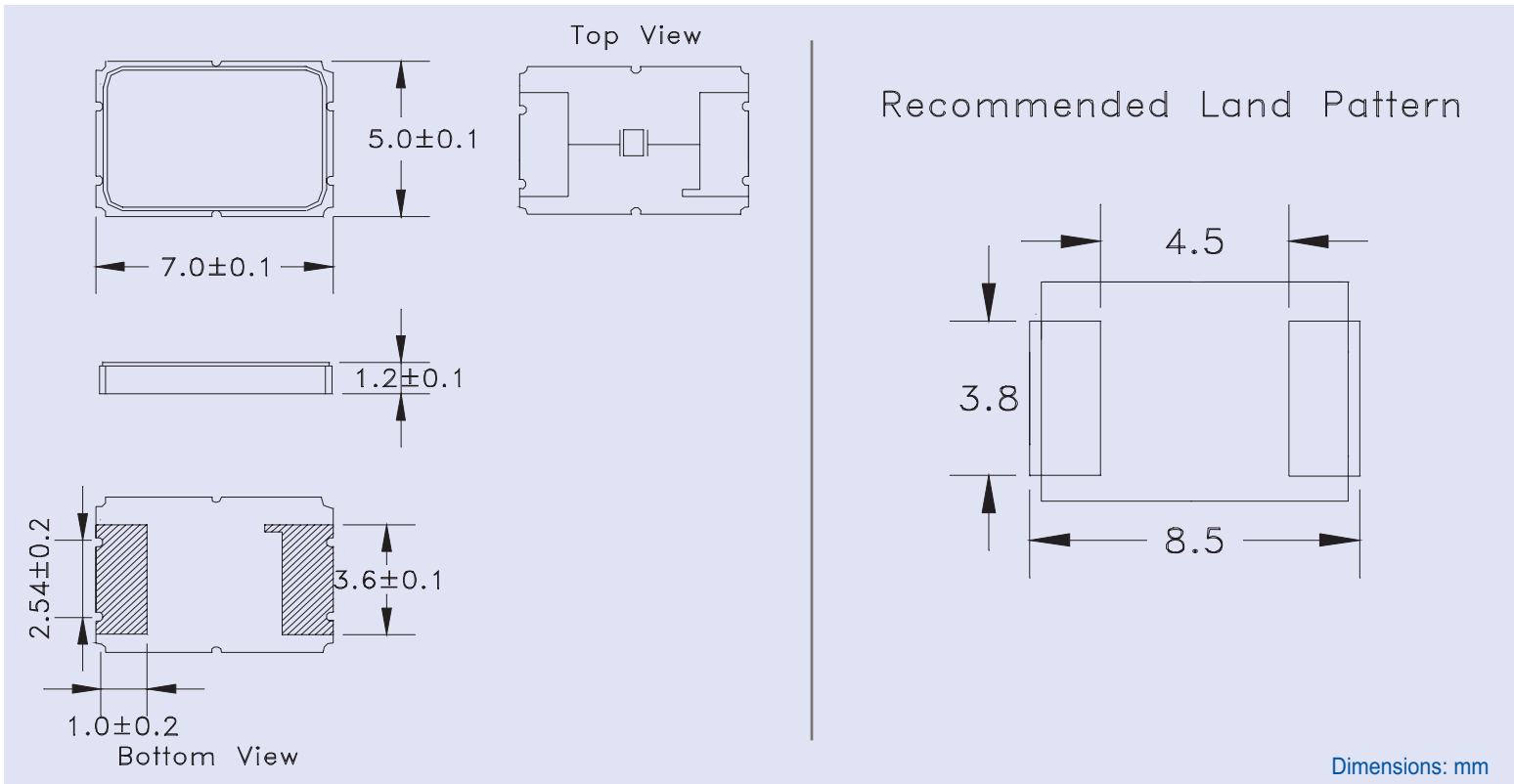


RoHS
Compliant

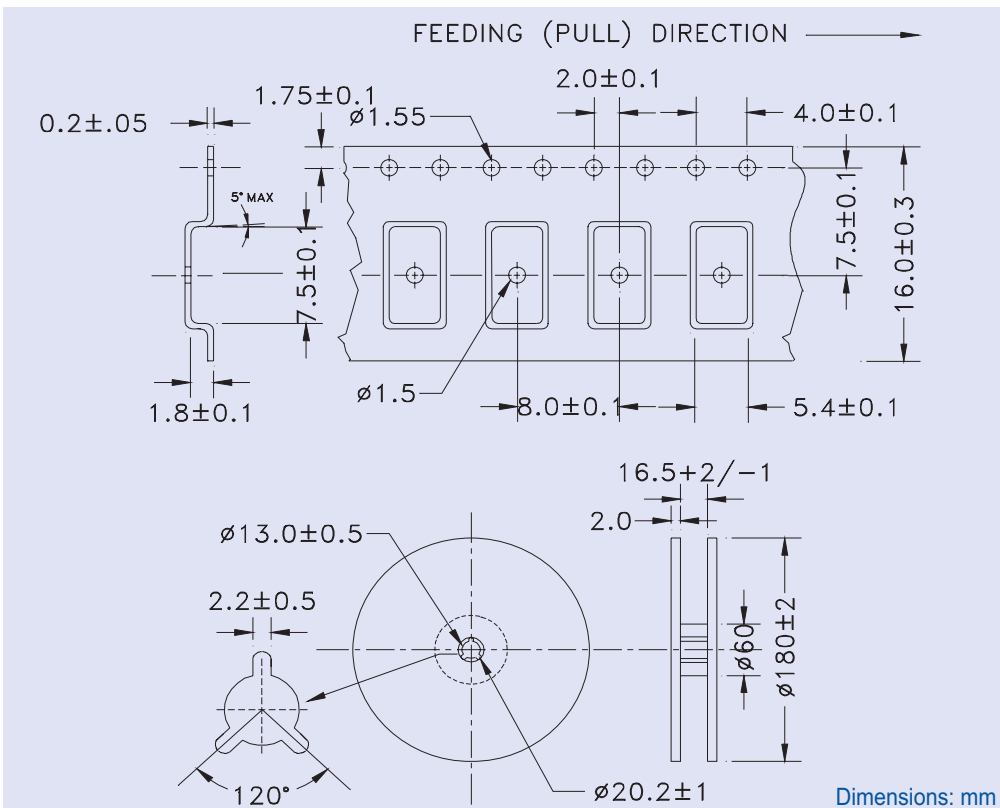


7.0 x 5.0 x 1.2 mm

OUTLINE DRAWING:



TAPE & REEL: T = Tape and reel 1,000pcs/reel



ABRACON IS
ISO 9001 / QS 9000
CERTIFIED



Visit www.abracon.com for Terms & Conditions of Sale **Revised: 10.18.07**

30332 Esperanza, Rancho Santa Margarita, California 92688

tel 949-546-8000 | fax 949-546-8001 | www.abracon.com