

MINIATURE CERAMIC SMD CRYSTAL



4.0 x 2.5 x 0.8mm



RoHS
Compliant

ABM9-16.000MHz-10-D-1-U-T

FEATURES:

- Low profile package, ideal for space constraint designs
- Tight frequency stability of ± 10 ppm over -10°C to $+60^{\circ}\text{C}$ and ± 20 ppm over wide operating range of -40°C to $+85^{\circ}\text{C}$
- Suitable for RoHS compliant reflow

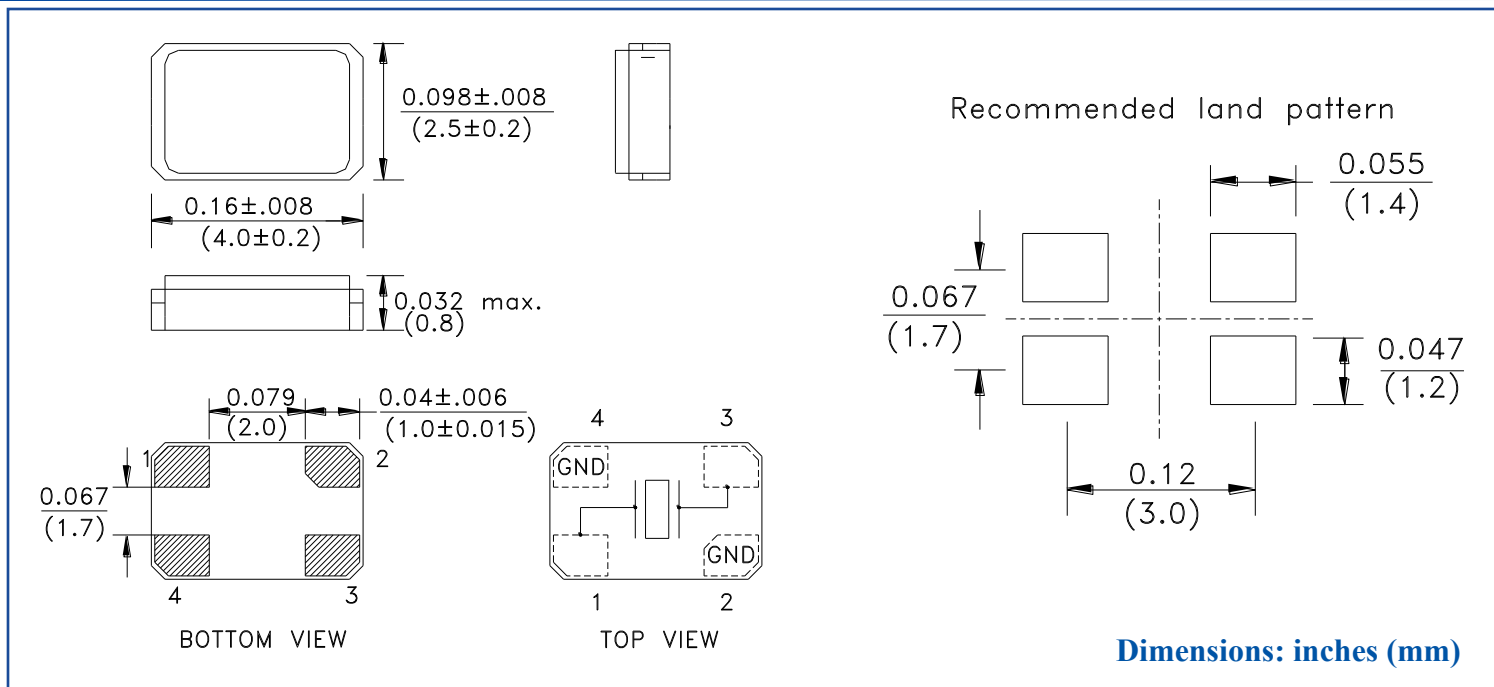
APPLICATIONS:

- Optimized for Micrel MICRF505 Chipset
- PCMCIA and hand held Wireless applications
- Modems, communication and test equipment
- High density applications requiring precision, low profile crystal

STANDARD SPECIFICATIONS:

Parameters	Minimum	Typical	Maximum	Units	Notes
Frequency Range		16.000		MHz	
Operation Mode	Fundamental, AT			----	
Operating Temperature	-40	----	+85	$^{\circ}\text{C}$	
Storage Temperature	-40	----	+105	$^{\circ}\text{C}$	
Frequency Tolerance @ $+25^{\circ}\text{C}$	-10	----	+10	ppm	
Frequency Stability over $-10^{\circ}\text{C} \sim +60^{\circ}\text{C}$ (ref. to $+25^{\circ}\text{C}$)	-10	----	+10	ppm	
Frequency Stability over $-40^{\circ}\text{C} \sim +85^{\circ}\text{C}$ (ref. to $+25^{\circ}\text{C}$)	-20	----	+20	ppm	
Equivalent series resistance (R1)	80			Ω	
Shunt capacitance (C0)	----	----	7.0	pF	
Load capacitance (CL)	----	10.0	----	pF	
Drive Level	----	10	100	μW	
Aging	-5	----	+5	ppm	@ $25^{\circ}\text{C} \pm 3^{\circ}\text{C}$, First year
Insulation Resistance	500	----	----	$\text{M}\Omega$	@ 100Vdc $\pm 15\text{V}$

OUTLINE DRAWING:



MINIATURE CERAMIC SMD CRYSTAL

ABM9-16.000MHz-10-D-1-U-T

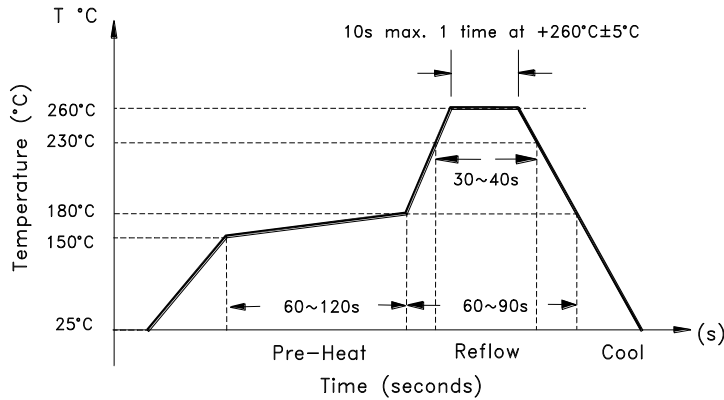


RoHS
Compliant



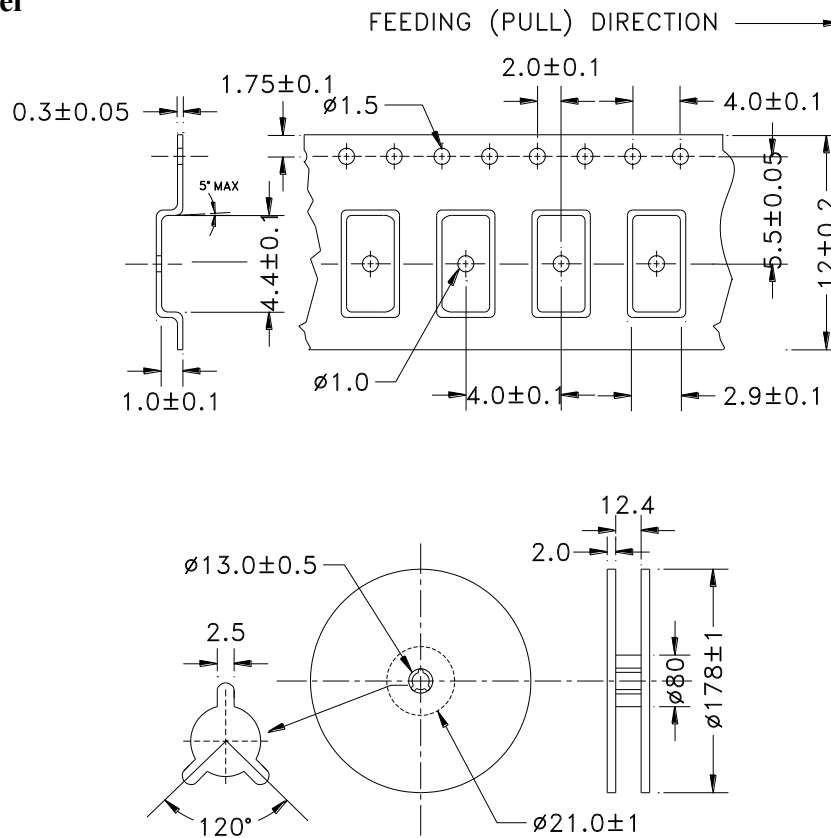
4.0 x 2.5 x 0.8mm

REFLOW PROFILE:



TAPE & REEL:

Packaging: 1000pcs/reel



Dimensions: mm

ATTENTION: Abracon Corporation's products are COTS – Commercial-Off-The-Shelf products; suitable for Commercial, Industrial and, where designated, Automotive Applications. Abracon's products are not specifically designed for Military, Aviation, Aerospace, Life-dependant Medical applications or any application requiring high reliability where component failure could result in loss of life and/or property. For applications requiring high reliability and/or presenting an extreme operating environment, written consent and authorization from Abracon Corporation is required. Please contact Abracon Corporation for more information.

ABRACON IS
ISO 9001: 2008
CERTIFIED



Visit www.abracon.com for Terms & Conditions of Sale

Revised: 08.28.12

30332 Esperanza, Rancho Santa Margarita, California 92688
tel 949-546-8000 | fax 949-546-8001 | www.abracon.com