

LOW FREQUENCY CYLINDRICAL TYPE MICROPROCESSOR CRYSTAL



9.8 x 3.2 x 0.8 mm

AB310



RoHS
Compliant

FEATURES:

- High stability by tight vacuum sealing
- Miniature high frequency cylinder type crystal

APPLICATIONS:

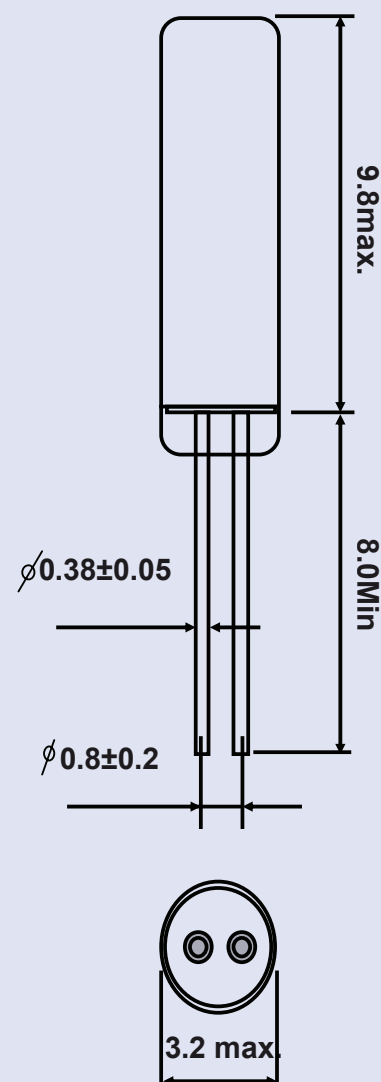
- Suitable for wide range of application
- Clocks for microprocessor
- Consumer electronics
- Test equipment
- Computer peripherals

STANDARD SPECIFICATIONS:

PARAMETERS

ABRACON P/N	AB310 Series
Frequency	3.50 MHz to 3.99 MHz
Operation Mode	Fundamental
Operating Temperature	-10°C to + 60°C (see options)
Storage Temperature	- 40°C to + 85°C
Frequency Tolerance	± 30 ppm max. (see options)
Frequency Stability over the Operating Temp. (Ref to +25°C)	± 50 ppm max. (see options)
Equivalent Series Resistance (R1)	200Ω max.
Shunt Capacitance C ₀	5pF max.
Load Capacitance C _L	16pF (see options)
Drive Level	100μW max.
Aging at 25°C Per Year	± 5ppm max.
Insulation Resistance	500 MΩ min at 100Vdc ± 15V

OUTLINE DRAWING:

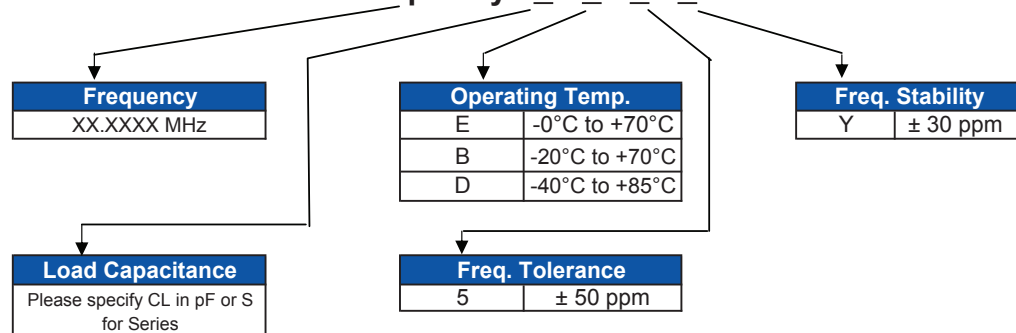


Dimensions: Inches
(mm)

OPTIONS AND PART IDENTIFICATION:

(Left blank if standard)

AB310 - Frequency - □ - □ - □ - □



ATTENTION: Abracon Corporation's products are COTS – Commercial-Off-The-Shelf products; suitable for Commercial, Industrial and, where designated, Automotive Applications. Abracon's products are not specifically designed for Military, Aviation, Aerospace, Life-dependant Medical applications or any application requiring high reliability where component failure could result in loss of life and/or property. For applications requiring high reliability and/or presenting an extreme operating environment, written consent and authorization from Abracon Corporation is required. Please contact Abracon Corporation for more information.

ABRACON IS
ISO9001:2008
CERTIFIED



ABRACON
CORPORATION

Visit www.abracon.com for Terms & Conditions of Sale **Revised: 06.29.10**

30332 Esperanza, Rancho Santa Margarita, California 92688

tel 949-546-8000 | fax 949-546-8001 | www.abracon.com