

HCMOS/TTL COMPATIBLE VOLTAGE CONTROLLED CRYSTAL OSCILLATOR



3.2 x 2.5 x 0.9 mm

ASEV Series



FEATURES:

- Miniature ceramic package, Size: 3.2 x 2.5 x 0.9mm
- Low current consumption
- Wide pulling range
- CMOS output with Tri-state function
- Seam sealed package with high reliability
- IR Reflow capable
- Low supply voltage available

APPLICATIONS:

- Digital TV-tuner, Digital Video, DVD, DSC, etc.

STANDARD SPECIFICATIONS:

PARAMETERS	
ABRACON P/N	ASEV Series
Frequency range	1.5 ~ 54 MHz
Standard frequency	27MHz, 32.768MHz, 54MHz
Operating temperature	-10° C to + 70° C (see options)
Storage temperature	- 40° C to + 85° C
Overall frequency stability	± 100 ppm max. (see options)
Supply voltage (Vdd)	3.3 V ± 5% (see options)
Supply current	See Table 1
Symmetry	40/60 % @ 1/2Vdd
Rise and fall time (Tr/Tf)	6ns max. (0.1V*Vdd to 0.9*Vdd)
Output load	CMOS (15 pF max.)
Output voltage	VOH = 0.9 *Vdd min. VOL = 0.1 *Vdd max.
Phase noise	-130dBc/Hz max. @ 1kHz offset (Frequency dependent) e.g. -125dBc/Hz max. @ 1kHz offset for 12.288MHz
Control voltage (Vc)	See Table 1
Pullability	See Table 1
Aging	±5 ppm max. (first year); ±10 ppm max. (after 10 years);

TABLE 1

Vdd (V)	Supply Current (mA max.)	Vc (V)	Pullability (ppm)
3.3 (STD)	13	+1.65±1.65	±100
2.8	9	+1.40±1.40	±90
2.5	7	+1.25±1.25	±80
1.8	3	+0.90±0.90	±80

OPTIONS AND PART IDENTIFICATION:

(Left blank if standard)

ASEV - MHz - - -

Supply Voltage
Blank: 3.3V ± 5%
2: 2.8V ± 5%
3: 1.8V ± 5%
4: 2.5V ± 5%

Operating Temp.
I: 0°C to +50°C
D: -10°C to +60°C
E: -20°C to +70°C
F: -30°C to +70°C
N: -30°C to +85°C
L: -40°C to +85°C

Overall Freq. Stability
J(*): ±20ppm
R: ±25ppm
K: ±30ppm
H: ±35ppm
B: ±40ppm
C: ±50ppm

Packaging
Blank: Bulk
T: Tape and Reel

* Temp options I, D, E and -10°C to +70°C only

Please contact ABRACON if parts are intended for life dependent applications.

ABRACON IS
ISO9001:2008
CERTIFIED



ABRACON
CORPORATION

Visit www.abracon.com for Terms & Conditions of Sale **Revised: 12.29.09**
30332 Esperanza, Rancho Santa Margarita, California 92688
tel 949-546-8000 | fax 949-546-8001 | www.abracon.com

HCMOS/TTL COMPATIBLE VOLTAGE CONTROLLED CRYSTAL OSCILLATOR

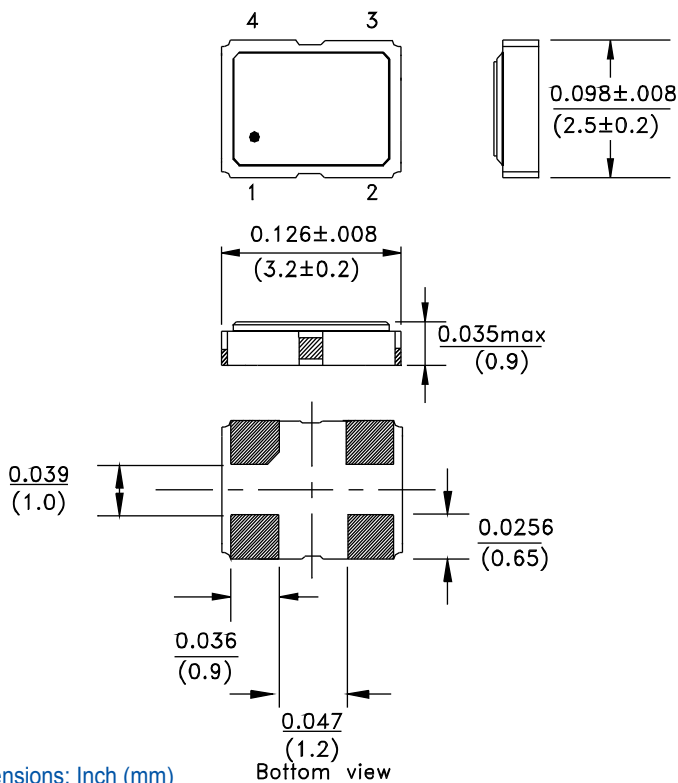


3.2 x 2.5 x 0.9 mm

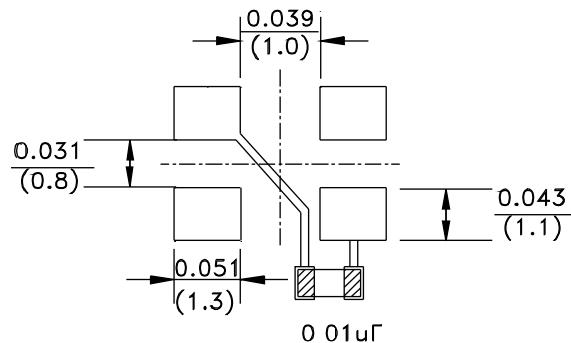
ASEV Series

Pb **RoHS**
Compliant

OUTLINE DRAWING:



Recommended land pattern

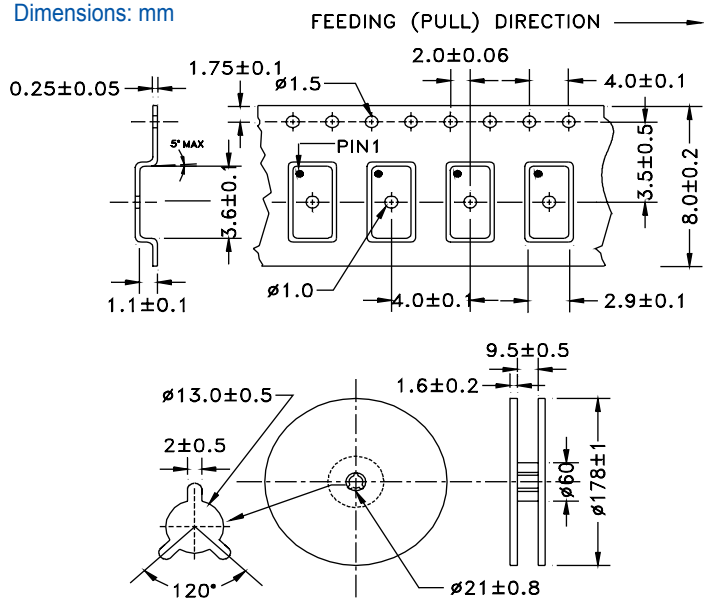


PIN	FUNCTION
1	Vc
2	GND/Case
3	Output
4	Vdd

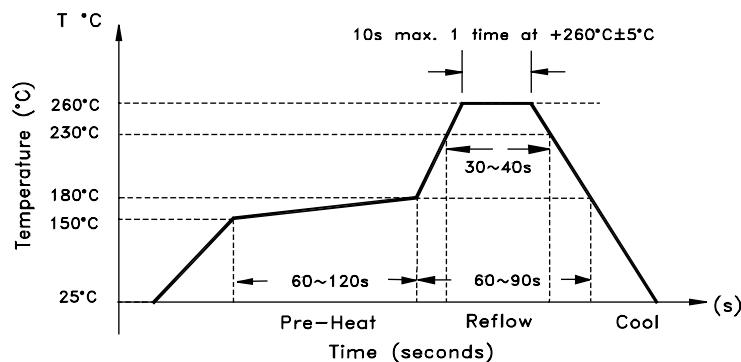
Note: It is recommended to use an approximately 0.01uF bypass capacitor between PIN 2 and 4.

TAPE & REEL: 1,000 pcs/reel

Dimensions: mm



REFLOW PROFILE



Need a test socket for the ASEV Series? To view compatible **PRECISION TEST & BURN-IN SOCKETS** for these parts, [click here](#). P/N AXS-3225-04-06

NOTE: Abracon manufactured products are intended for general commercial and industrial use. For applications requiring high reliability and/or presenting extreme operating environment, written consent & authorization from Abracon is required.

Please contact ABRACON if parts are intended for life dependent applications.

ABRACON IS
ISO9001:2008
CERTIFIED



Visit www.abracon.com for Terms & Conditions of Sale **Revised: 12.29.09**
30332 Esperanza, Rancho Santa Margarita, California 92688
tel 949-546-8000 | fax 949-546-8001 | www.abracon.com