

ECN/PCN No.: M1243

For Manufacturer			
<b>Product Description:</b> Rx Wireless Charging Coil Assembly	<b>Abracon Part Number / Part Series:</b> AWCCA-37R37H18-C01-B	<input type="checkbox"/> Documentation only <input type="checkbox"/> ECN <input checked="" type="checkbox"/> EOL	<input type="checkbox"/> Series <input checked="" type="checkbox"/> Part Number
<b>Affected Revision:</b> Initial Release	<b>New Revision:</b> EOL	<b>Application:</b> <input type="checkbox"/> Safety <input checked="" type="checkbox"/> Non-Safety	
<b>Prior to Change:</b>  This is an EOL of AWCCA-37R37H18-C01-B device			
<b>After Change:</b>  			
<b>Cause/Reason for Change:</b> This device has been discontinued due to low volumes			
Change Plan			
<b>Effective Date:</b> 6/3/2021	<b>Additional Remarks:</b>		
<b>Change Declaration:</b> This is an EOL of AWCCA-37R37H18-C01-B device			
<b>Issued Date:</b> 6/3/2021	<b>Issued By:</b> Ahmed Alamin	<b>Issued Department:</b> Engineering	
<b>Approval:</b> Syed Raza Engineering VP	<b>Approval:</b> Reuben Quintanilla Quality Director	<b>Approval:</b> Ying Huang Purchasing Director	
For Abracon EOL only			
<b>Last Time Buy (if applicable):</b> N/A		<b>Alternate Part Number / Part Series:</b> N/A	
<b>Additional Approval:</b>	<b>Additional Approval:</b>	<b>Additional Approval:</b>	
Customer Approval (If Applicable)			
<b>Qualification Status:</b>  <input type="checkbox"/> Approved <input type="checkbox"/> Not accepted <i>Note: It is considered approved if there is no feedback from the customer 1 month after ECN/PCN is released.</i>			
<b>Customer Part Number:</b>		<b>Customer Project:</b>	
<b>Company Name:</b>	<b>Company Representative:</b>	<b>Representative Signature:</b>	
<b>Customer Remarks:</b>			

# RX WIRELESS CHARGING COILS

**AWCCA-37R37H18-C01-B**



Ø 37.0 mm x 1.8 mm

**Pb** RoHS/RoHS II Compliant  
MSL= 1

## FEATURES

- Wireless Charging Receiver Coil
- 10µH inductance
- Space saving 37mm x 37mm
- Low 1.8mm profile
- High permeability shielding to protect sensitive \ electronics
- Durable construction, industrial -25°C to 85°C operating temperature

## APPLICATIONS

- Batteries and Battery Chargers
- Consumer Electronics
- Wireless Charging Stations
- Mobile Phones & Charging Accessories
- Power Supplies
- Power Tool Manufacturers

## MAXIMUM RATINGS

Item	Value
Operating Temperature Range	T=-25°C ~ 85°C, RH≤ 90%
Storage Temperature Range	-25°C~85°C, 70%RH (Max.)

## ELECTRICAL SPECIFICATIONS

Part Number	Inductance	DC Resistance	Q
AWCCA-37R37H18-C01-B	10µH ±10%	160mΩ±20%	38±30%
Test Condition	100KHz / 1V	20±10C	100KHz/1V
Test Equipment	Agilent E4980A or equivalent		
Test Environment	Temperature: 20±10°C, RH: 65% ±20%		

**Test Conditions:** Ambient Temperature: 20±10°C, RH: 65% ±20%. If any doubt on the results, measurements/tests should be made within the following limits: Ambient Temperature 20±2°C, RH: 65%±5%

## PART IDENTIFICATION

**AWCCA-37R37 H18 - C 01 - B**

HEIGHT	FEATURE	DESIGN CODE	PACKAGING
H18=1.8mm	C= Coil	01	B:Box

REVISED: 08/09/2016

# RX WIRELESS CHARGING COILS

**AWCCA-37R37H18-C01-B**



Ø 37.0 mm x 1.8 mm

**Pb** RoHS/RoHS II Compliant  
MSL= 1

## MECHANICAL DIMENSIONS (ALL DIMENSIONS ARE IN mm)

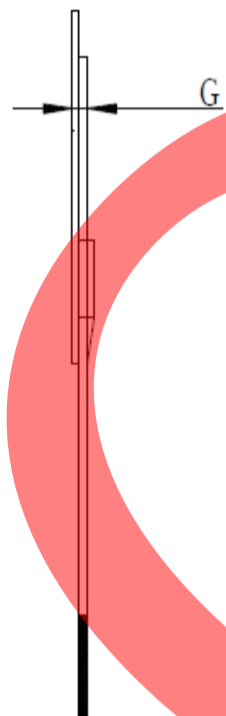
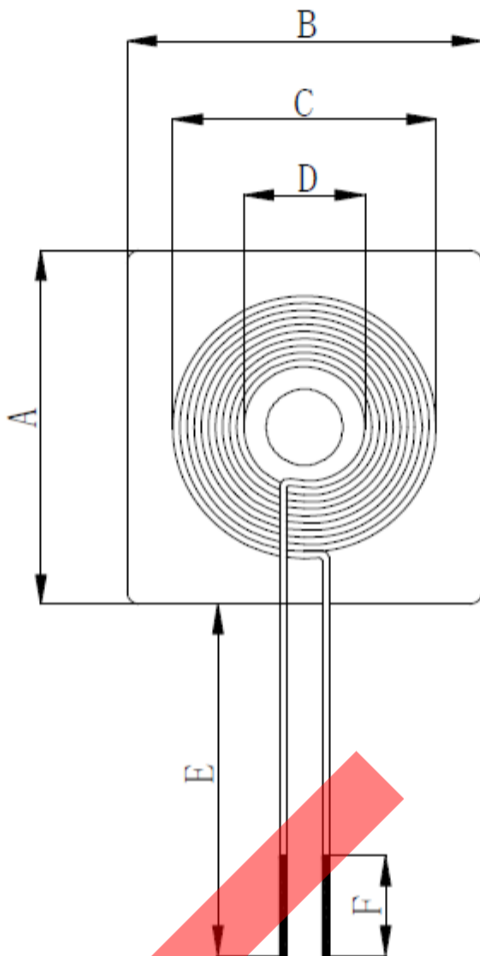
Tolerances are  $\pm 0.2\text{mm}$ , unless otherwise specified\*

Dimensions of AWCCA-37R37H18-C01-B

Item	A	B	C	D	E	F	G
Spec	37.0 $\pm$ 1.0	37.0 $\pm$ 1.0	30.0 REF	14.0 REF	45.0 $\pm$ 3.0	10.0 $\pm$ 2.0	1.8 REF

Winding Details of AWCCA-37R37H18-C01-B

Number of Coils	Wire	Number of Turns	Inductance
1	$\phi 0.08\text{ mm} \times 24$	15	10.0 $\pm$ 10% $\mu\text{H}$



**Wave Soldering Profile:** Not suitable for wave soldering  
**Manual Soldering:** 350°C Max, 3secs  
**Packaging:** Box, 100pcs MOQ

## STORAGE AND OPERATIONAL CONDITIONS

### Storage Conditions

1. Recommended storage conditions: -25°C~85°C, 70%RH (Max.)
2. Service life: Within the limits of six month from being produced.
3. The appearance and solder ability should be checked, if product is not in expiry date.

### Operation Conditions

1. Use condition limit: T=-25°C ~ 85°C, RH $\leq$  90%.

REVISED: 08/09/2016

# RX WIRELESS CHARGING COILS

**AWCCA-37R37H18-C01-B**



Ø 37.0 mm x 1.8 mm



RoHS/RoHS II Compliant

MSL= 1

## NOTES

1. The parts are manufactured in accordance with this specification. If other conditions and specifications which are required for this specification, please contact ABRACON for more information.
2. ABRACON will supply the parts in accordance with this specification unless we receive a written request to modify prior to an order placement.
3. In no case shall ABRACON be liable for any product failure from in appropriate handling or operation of the item beyond the scope of this specification.
4. When changing your production process, please notify ABRACON immediately.
5. ABRACON LLC's products are COTS – Commercial-Off-The-Shelf products; suitable for Commercial, Industrial and, where designated, Automotive Applications. ABRACON's products are not specifically designed for Military, Aviation, Aerospace, Life-dependant Medical applications or any application requiring high reliability where component failure could result in loss of life and/or property. For applications requiring high reliability and/or presenting an extreme operating environment, written consent and authorization from ABRACON LLC is required. Please contact ABRACON LLC for more information.
6. All specifications and Marking will be subject to change without notice.