

# Flyback Transformer

AFBT-05



RoHS/RoHS II compliant



13.5 x 14.0 x 21.0mm

## FEATURES:

- Open shape for self cooling
- Produced by automatic process
- Meet UL safety standards

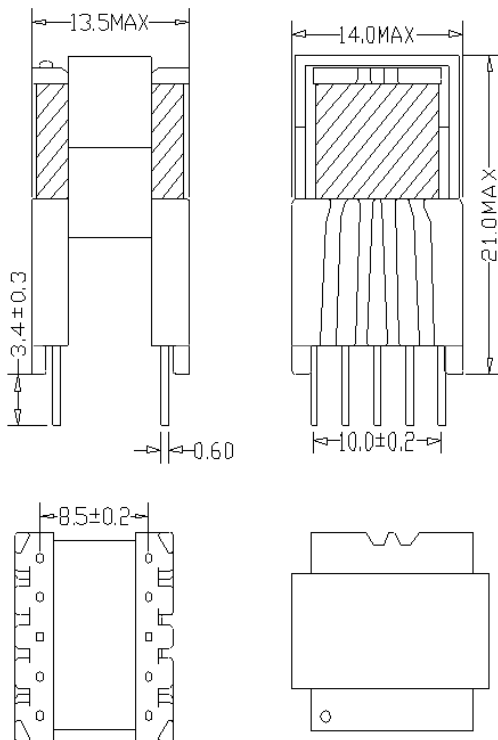
## APPLICATIONS:

- Widely used with switches controller, UPS power inverter
- Computer, LED Lighting
- 8W output

## ELECTRICAL SPECIFICATIONS:

Parameters	Minimum	Typical	Maximum	Units	Notes
Operating Temperature	-40		+130	°C	
Storage Temperature	-5		+35	°C	
Inductance	1.9-5%	1.9	1.9+5%	mH	Pin 3-1, 10kHz, 100mVrms
Leakage Inductance			90	uH	Pin 3-1, 10kHz, 100mVrms Short 4-5-6-10
DCR			5.5	Ω	Pin(3-1)
			1.8	mΩ	Pin(5-4)
			50	mΩ	Pin(10-6)
Hipot		3750		Vrms	Pri - Sec 50Hz/1mA/2sec
		1500		Vrms	All winding to core 50Hz/1mA/2sec
Turn Ratio (±0.5Ts)		142:28:10		Ts	Pin(3-1):(5-4):(10-6) 15.75KHz 1.0V Use No Gap Core

## OUTLINE DIMENSION:



## Materials

NO.	ITEM	MATERIAL DESCRIPTION	TEMP. (FLAME) CLASS	UL FILE NO.
1	CORE	Mn-Zn FERRITE CORE ,EE13 , TP4A	-	-
OR		Mn-Zn FERRITE CORE ,EE13 , DMR44	-	-
2	BOBBIN	PHENOLIC PM9820	V-0	E59481
3	WIRE	MODIFIED POLYESTER ENAMELLED WIRE, TYPE UEW-F	155°C	E258243
4	WIRE	φ0.15mm TEX- E	130°C	E230451
5	TAPE	POLYESTER FILM TAPE ,#1350F-1	130°C	E17385
6	SOLDER	Sn96.5 /Ag 3.0/Cu0.5	-	-
7	VARNISH	V1630FS	180°C	E75225

Dimension: mm



# Flyback Transformer

AFBT-05

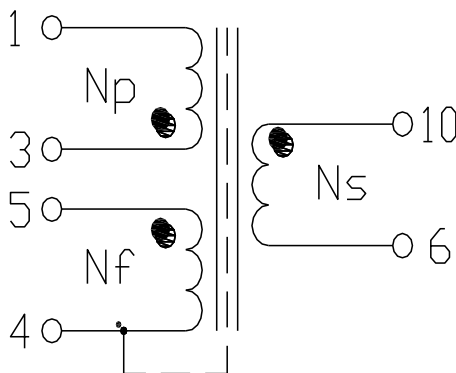


RoHS/RoHS II compliant

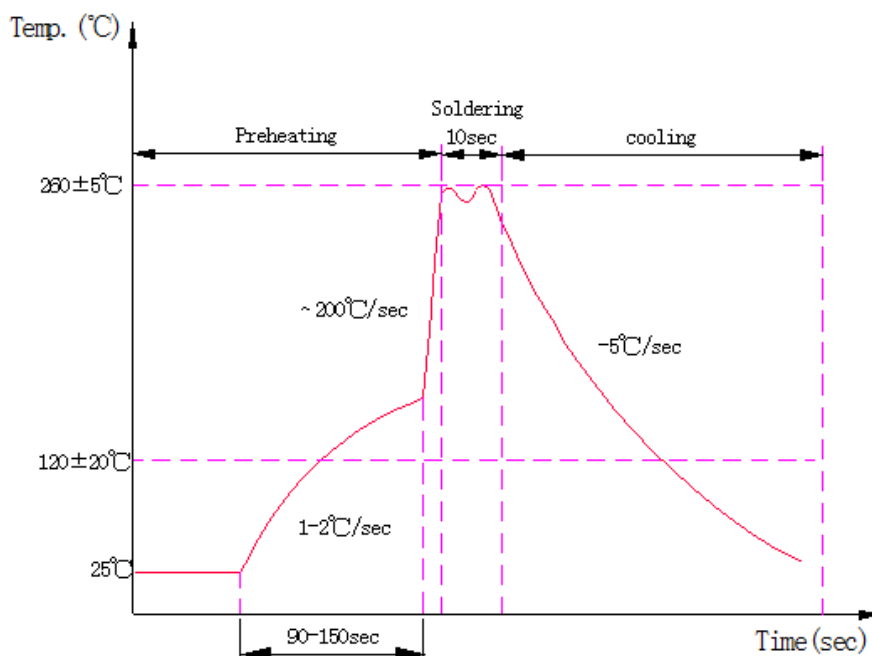


13.5 x 14.0 x 21.0mm

## SCHEMATIC



## WAVE SOLDERING PROFILE



Packing (100pcs/tray)

**ATTENTION:** Abracon Corporation's products are COTS – Commercial-Off-The-Shelf products; suitable for Commercial, Industrial and, where designated, Automotive Applications. Abracon's products are not specifically designed for Military, Aviation, Aerospace, Life-dependant Medical applications or any application requiring high reliability where component failure could result in loss of life and/or property. For applications requiring high reliability and/or presenting an extreme operating environment, written consent and authorization from Abracon Corporation is required. Please contact Abracon Corporation for more information.

ABRACON IS  
ISO9001:2008  
CERTIFIED



**ABRACON**  
CORPORATION

Visit [www.abracon.com](http://www.abracon.com) for Terms & Conditions of Sale **Revised: 10.02.14**  
30332 Esperanza, Rancho Santa Margarita, California 92688  
tel 949-546-8000 | fax 949-546-8001 | [www.abracon.com](http://www.abracon.com)