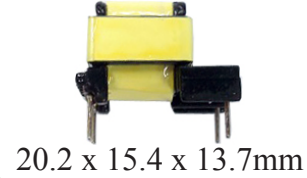


Flyback Transformer

AFBT-04



RoHS/RoHS II compliant



20.2 x 15.4 x 13.7mm

FEATURES:

- Open shape for self cooling
- Produced by automatic process
- Meet UL safety standards

APPLICATIONS:

- Widely used with switches controller, UPS power inverter
- Computer, LED Lighting
- 6W output

ELECTRICAL SPECIFICATIONS:

Parameters	Minimum	Typical	Maximum	Units	Notes
Operating Temperature	-40		+130	°C	
Storage Temperature	-40		+130	°C	
Inductance	1.8-5%	1.8	1.8+5%	mH	Pin 4-5, 40kHz, 0.1Vrms
Leakage Inductance			70	uH	Pin 4-5, 40kHz, 0.1Vrms Short Sec
DCR			3.5	Ω	Pin(4-5)
			165	mΩ	Pin(7-6)
			350	mΩ	Pin(1-3)
Hipot		3000		Vrms	Pin 1, 4 – 7 0.5mA, 2sec
		1500		Vrms	Pin 1, 4 – 7 to core 100MΩ min, 2sec
Turn Ratio (±0.5Ts)		119:17:20		Ts	(N1+N5):N3:N4, 40KHz 1.0V

OUTLINE DIMENSION:

Dimension: inch/mm

Materials

NO.	ITEM	MATERIAL DESCRIPTION	TEMP. (FLAME) CLASS	UL FILE NO.
1	CORE	Mn-Zn FERRITE CORE ,EE13 ,TP4	-	-
OR		Mn-Zn FERRITE CORE ,EE13 , PG232A	-	-
2	BOBBIN	PHENOLIC PM9820	V-0	E41429
3	WIRE	MODIFIED POLYESTER ENAMELLED WIRE, TYPE UEW-F	155°C	E258243
4	WIRE	φ0.2mm TEX- E	130°C	E230451
5	TAPE	POLYESTER FILM TAPE ,#1318Y-1	130°C	E17385
6	SOLDER	Sn96.5 /Ag 3.0/Cu0.5	-	-
7	VARNISH	V1630FS	180°C	E75225



Flyback Transformer

AFBT-04

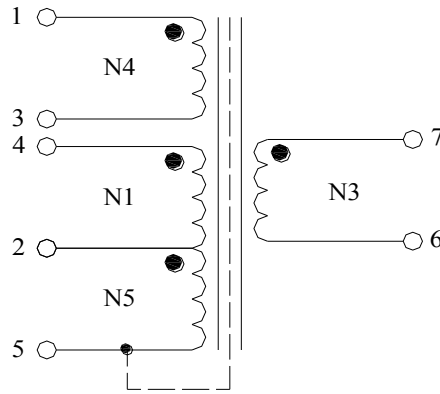


RoHS/RoHS II compliant

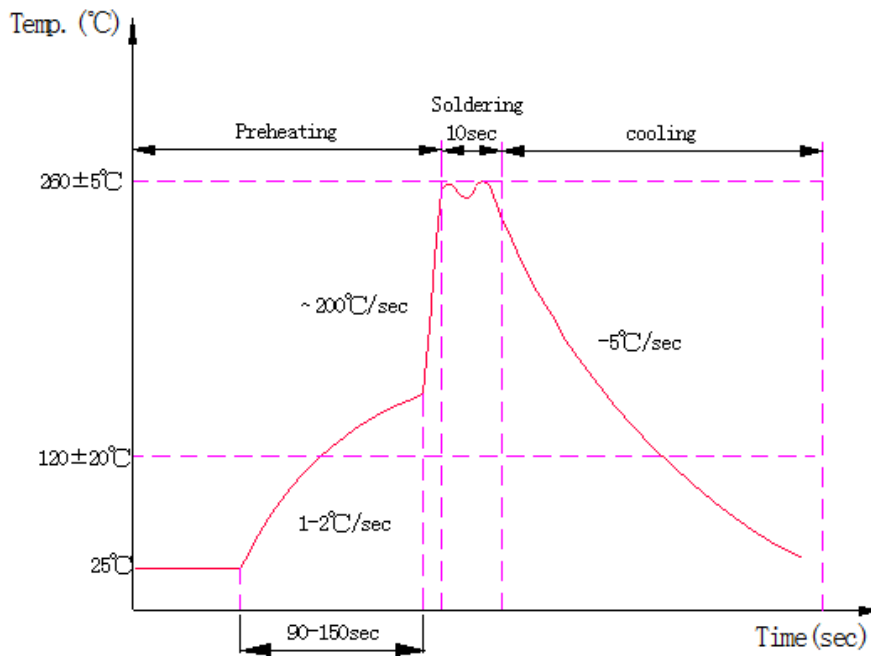


20.2 x 15.4 x 13.7mm

SCHEMATIC



WAVE SOLDERING PROFILE



Packing (100pcs/tray)

ATTENTION: Abracon Corporation's products are COTS – Commercial-Off-The-Shelf products; suitable for Commercial, Industrial and, where designated, Automotive Applications. Abracon's products are not specifically designed for Military, Aviation, Aerospace, Life-dependant Medical applications or any application requiring high reliability where component failure could result in loss of life and/or property. For applications requiring high reliability and/or presenting an extreme operating environment, written consent and authorization from Abracon Corporation is required. Please contact Abracon Corporation for more information.

ABRACON IS
ISO9001:2008
CERTIFIED



ABRACON
CORPORATION

Visit www.abracon.com for Terms & Conditions of Sale **Revised: 10.02.14**
30332 Esperanza, Rancho Santa Margarita, California 92688
tel 949-546-8000 | fax 949-546-8001 | www.abracon.com