

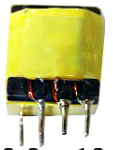
# Flyback Transformer

AFBT-03



RoHS/RoHS II compliant

16.5 x 12.2 x 12.0mm



## FEATURES:

- Open shape for self cooling
- Produced by automatic process
- Meet UL safety standards

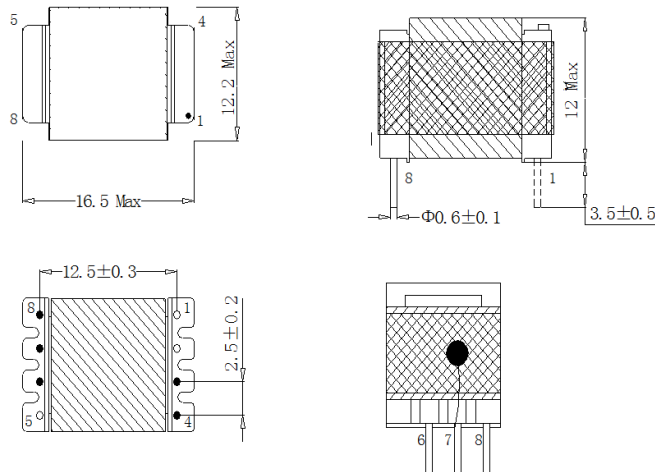
## APPLICATIONS:

- Widely used with switches controller, UPS power inverter
- Computer, LED Lighting
- 8.5W output

## ELECTRICAL SPECIFICATIONS:

Parameters	Minimum	Typical	Maximum	Units	Notes
Operating Temperature	-40		+130	°C	
Storage Temperature	-5		+35	°C	
Inductance	750-10%	750	750+10%	uH	Pin 3-4, 100kHz, 1Vrms
Leakage Inductance			15	uH	100kHz, 1Vrms short all other pins
DCR			1.75	Ω	Pin(3-4)
			85	mΩ	Pin(7-8)
Hipot		1000		Vrms	Pri to Sec, 5mA, 3sec
		1000		Vrms	Pri, Sec to core, 5mA, 3sec
Turn Ratio (±0.5Ts)		99:14		Ts	N1: N2, 15.75KHz 1.0V Use No Gap Core

## OUTLINE DIMENSION:



Dimension: mm

## Materials

NO.	Item.	Material Description.	Temp. (Flame) Class	UL File NO.
1.	CORE	Mn-Zn FERRITE CORE , EE10/10 , TP4A	—	—
OR		Mn-Zn FERRITE CORE , EE10/10 , DMR44	—	—
2.	BOBBIN	PHENOLIC PM-9820	V-0	E41429
3.	WIRE	MODIFIED POLYESTER ENAMELLED WIRE, TYPE UEW-F	155°C	E258243
4.	TAPE	POLYESTER FILM TAPE , #1350F-1	130°C	E17385
5.	COPPER FOIL	Flame Retardant Copper Foil Tape#1181	—	E17385
6.	SOLDER	Sn /Ag /Cu	—	—
7.	VARNISH	V1630FS	180°C	E75225



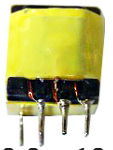
# Flyback Transformer

AFBT-03

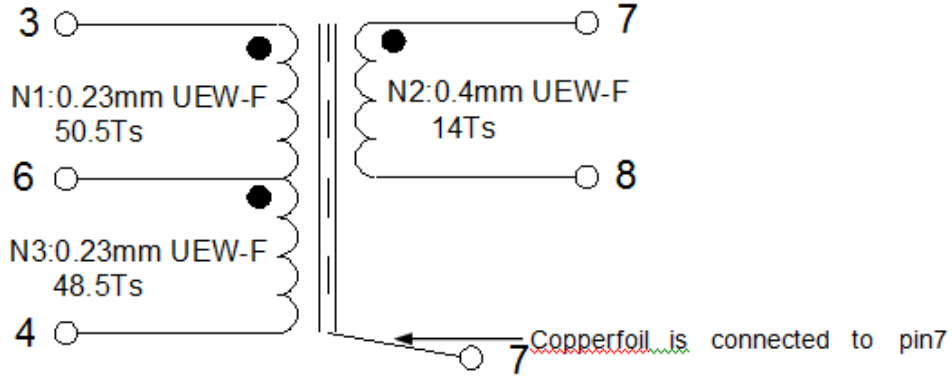


RoHS/RoHS II compliant

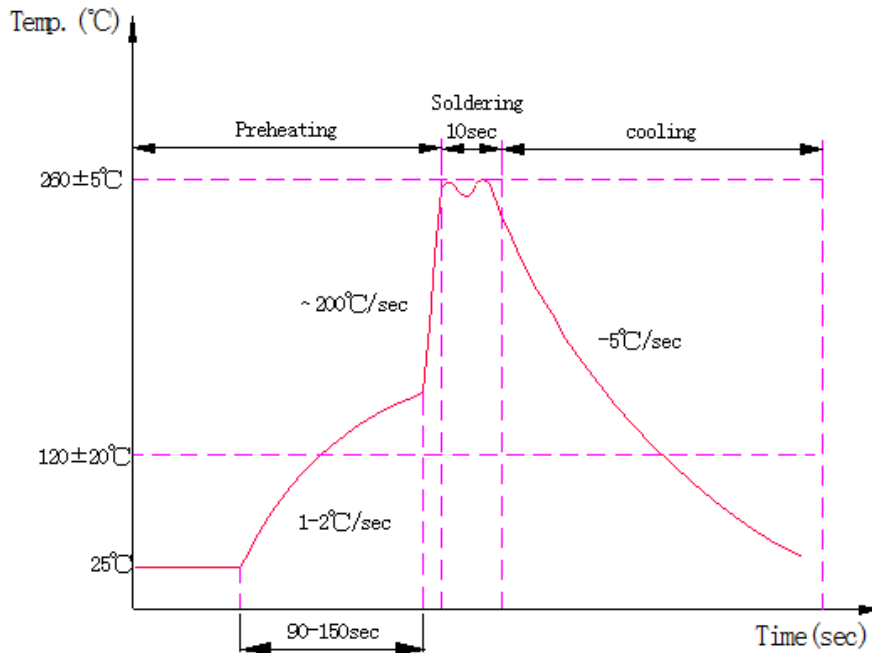
16.5 x 12.2 x 12.0mm



## SCHEMATIC



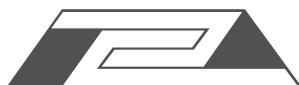
## WAVE SOLDERING PROFILE



Packing (100pcs/tray)

**ATTENTION:** Abracon Corporation's products are COTS – Commercial-Off-The-Shelf products; suitable for Commercial, Industrial and, where designated, Automotive Applications. Abracon's products are not specifically designed for Military, Aviation, Aerospace, Life-dependant Medical applications or any application requiring high reliability where component failure could result in loss of life and/or property. For applications requiring high reliability and/or presenting an extreme operating environment, written consent and authorization from Abracon Corporation is required. Please contact Abracon Corporation for more information.

ABRACON IS  
ISO9001:2008  
CERTIFIED



**ABRACON**  
CORPORATION

Visit [www.abracon.com](http://www.abracon.com) for Terms & Conditions of Sale **Revised: 10.02.14**  
30332 Esperanza, Rancho Santa Margarita, California 92688  
tel 949-546-8000 | fax 949-546-8001 | [www.abracon.com](http://www.abracon.com)